

Customer Information Sheet

DRAWING No.: G125-FCXXX05F1-XXXXF1

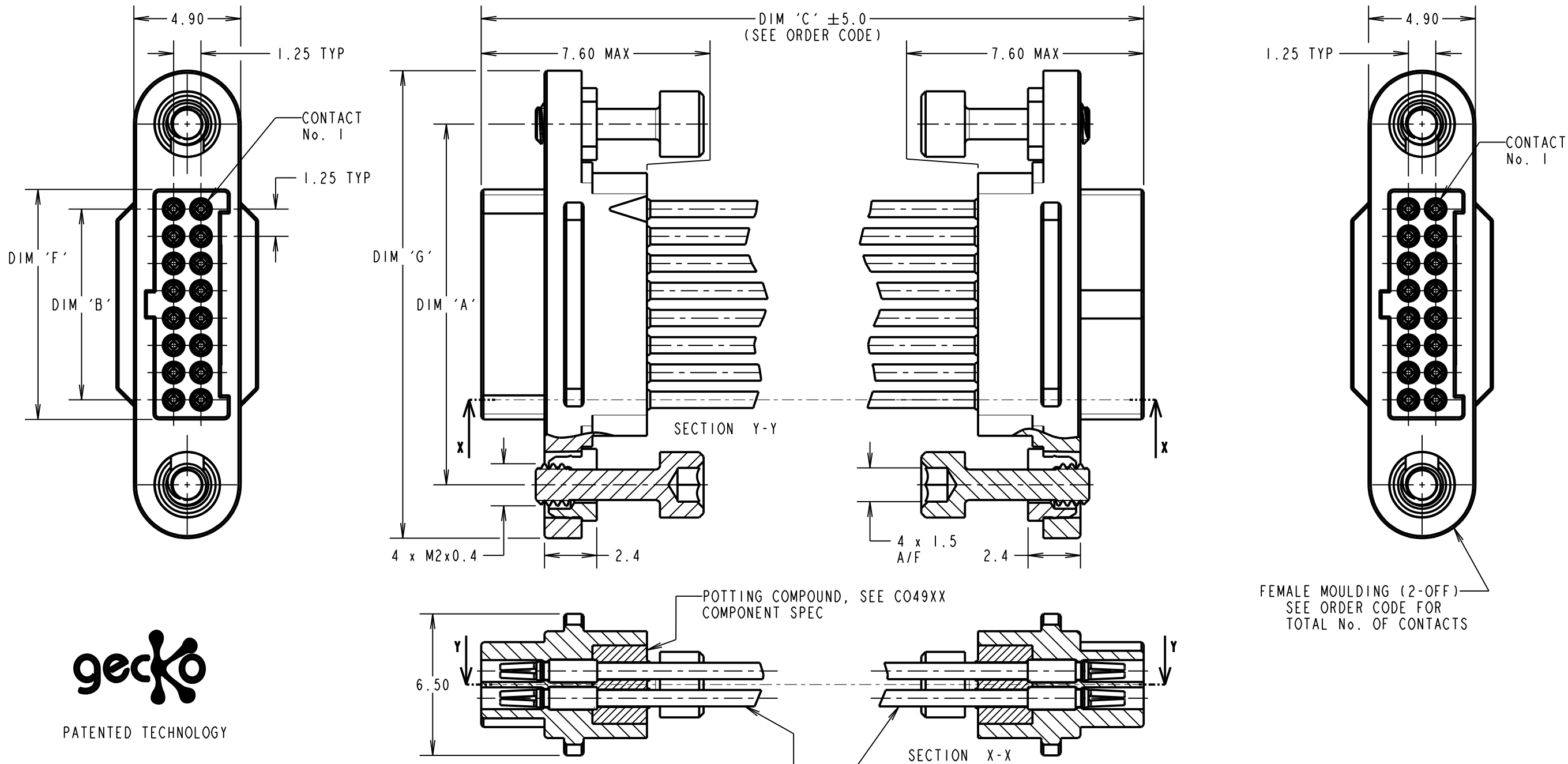
IF IN DOUBT - ASK

©

NOT TO SCALE

THIRD ANGLE PROJECTION

ALL DIMENSIONS IN mm



- NOTES:
1. CABLE ASSEMBLIES BULK PACKED IN BAGS.
 2. CUSTOM LENGTH CABLE ASSEMBLIES CAN BE PRODUCED FROM 60mm TO 9999mm.
 3. FOR COMPLETE SPECIFICATION, SEE COMPONENT SPECIFICATIONS C049XX AND C125XX (LATEST ISSUE).
 4. WIRING OF CONNECTOR:
CONTACT 1 TO CONTACT 1
CONTACT 2 TO CONTACT 2 ETC.

WHITE PTFE WIRE:
IN ACCORDANCE WITH COMPONENT
SPECIFICATION C049XX
(SEE ORDER CODE FOR WIRE GAUGE)

ORDER CODE:
G125-FCXXX05F1-XXXXF1

26 AWG = 1
28 AWG = 2

DIM 'C' LENGTH:
0060 = 60mm MIN
9999 = 9999mm MAX

TOTAL No. OF CONTACTS:
06, 10, 12, 16,
20, 26, 34, 50

RA	4	03.02.21	30101
NAME	ISS.	DATE	CN/CO
APPROVED: R.ALEXANDER			
CHECKED: M.RUDKIN			
DRAWN: M.PERREN			
CUSTOMER REF.:			
ASSEMBLY DRG:			

DIMENSION	MEASUREMENT
DIM 'A'	(TOTAL No. OF CONTACTS - 2) x 0.625 + 7.80
DIM 'B'	(TOTAL No. OF CONTACTS - 2) x 0.625
DIM 'F'	(TOTAL No. OF CONTACTS - 2) x 0.625 + 1.80
DIM 'G'	(TOTAL No. OF CONTACTS - 2) x 0.625 + 12.70

EXAMPLE PART No.
12 CONTACT CONNECOTRS WITH 150mm OF 26AWG WIRE =
G125-FC11205F1-0150F1
50 CONTACT CONNECTORS WITH 450mm OF 28AWG WIRE =
G125-FC25005F1-0450F1

 www.harwin.com technical@harwin.com	THIS DRAWING AND ANY INFORMATION OR DESCRIPTIVE MATTER SET OUT HEREON ARE CONFIDENTIAL AND COPYRIGHT PROPERTY OF THE HARWIN GROUP AND MUST NOT BE DISCLOSED, LOANED, COPIED OR USED FOR MANUFACTURING, TENDERING OR FOR ANY OTHER PURPOSE WITHOUT THEIR WRITTEN PERMISSION.	TOLERANCES	MATERIAL:	TITLE:
		X. = ±1mm X.X = ±0.50mm X.XX = ±0.20mm X.XXX = ±0.01mm ANGLES = ±5° UNLESS STATED	SEE ABOVE	GECKO SL FEMALE TO FEMALE CABLE ASSEMBLY
		FINISH: SEE ABOVE	S/AREA: mm ²	DRAWING NUMBER: G125-FCXXX05F1-XXXXF1
				SHT 3 OF 3