

Sales Outline Drawing

Specifications:

| | |
|---------------------------------|---------------------------------------|
| Panel Hole | 8 mm |
| Voltage Type | DC |
| LED Color Available | Red, Green, Blue, Yellow, or White |
| Lens Color | Same as LED |
| Rated Voltage Available | See table below |
| Max Current Draw | 20 mA |
| Storage & Operating Temperature | -20 °C to +85 °C |
| Ingress Protection Rating | IP65 |
| LED Life | 70,000 hours |
| Weight (Typical) | 4.3 g |
| Housing Material | Nickel-plated Brass and Polycarbonate |
| Termination Type | Pin Terminals |
| Pin Length | 15±10mm |
| Max Nut Torque | 13 ft-lbs (18 Nm) |
| Soldering Conditions | Max 260°C (500°F) for 3 seconds. |
| Panel Thickness | 0.04-0.39" (1-10 mm) |
| Hardware Kit | LM8-FSQ8-MHDP8 |

RoHS Compliant

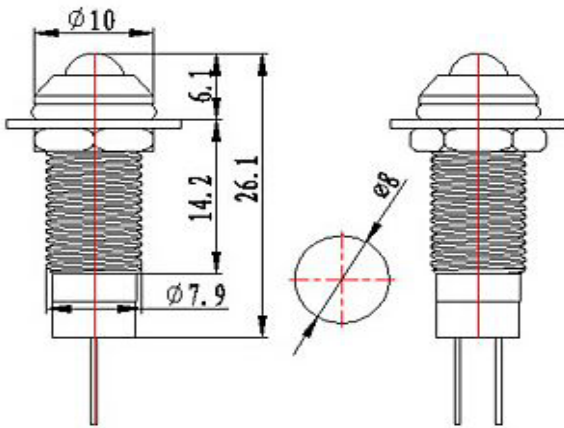
Dimensions (mm):

Part Number:

FL1M-8SJ-3-X#V

B=Blue
 G=Green
 R=Red
 Y=Yellow
 W=White

Rated Voltage



| | Light Intensity | Dominant Wavelength | Viewing Angle |
|--------|-----------------|---------------------|---------------|
| Red | 1000 -1500 mcd | 622 nm | 180° |
| Green | 8000 -10000 mcd | 522 nm | 180° |
| Yellow | 1000 -1500 mcd | 590 nm | 180° |
| Blue | 2000 - 3000 mcd | 464 nm | 180° |

| Rated Voltage | 2 VDC | 3 VDC | 6 VDC | 12 VDC | 24 VDC | 48 VDC | 110 VDC | 220 VDC | 380 VDC |
|---------------|----------|-----------|----------|------------|------------|------------|---------|----------|----------|
| Red | 1.8-2.2V | 2.7-3.3V | 5.4-6.6V | 10.8-13.2V | 21.6-26.4V | 43.2-52.8V | 99-121V | 198-242V | 342-418V |
| Green | N/A | 3-3.2V | 5.4-6.6V | 10.8-13.2V | 21.6-26.4V | 43.2-52.8V | 99-121V | 198-242V | 342-418V |
| Blue | N/A | 3.12-3.2V | 5.4-6.6V | 10.8-13.2V | 21.6-26.4V | 43.2-52.8V | 99-121V | 198-242V | 342-418V |
| Yellow | 2-2.2V | 2.7-3.3V | 5.4-6.6V | 10.8-13.2V | 21.6-26.4V | 43.2-52.8V | 99-121V | 198-242V | 342-418V |
| White | N/A | 3-3.2V | 5.4-6.6V | 10.8-13.2V | 21.6-26.4V | 43.2-52.8V | 99-121V | 198-242V | 342-418V |