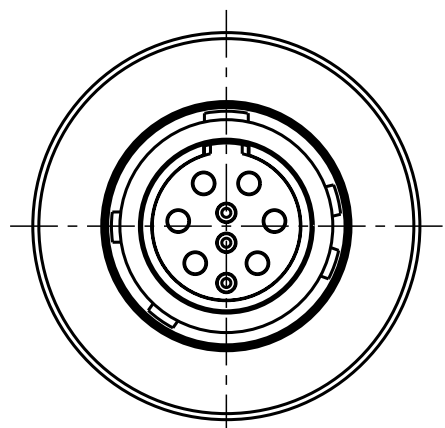
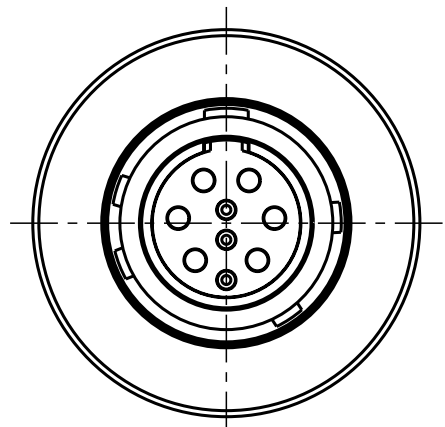


For these Unterlage behalten wir uns alle Rechte vor, auch für den Fall der Patentverletzung oder Gebrauchsmusterinfraktion. Sie darf ohne unsere vorherige schriftliche Zustimmung weder vervielfältigt noch sonstwie benutzt, nach Dritten zugänglich gemacht werden.
 Nur rot gestempelte oder auf Laufkarte gedruckte Dokumente unterliegen dem Änderungsdienst und sind zur Fertigung freigegeben. Only red stamped or on jobcard printed documents are managed. These documents are approved for production.
 All Rights reserved, including possible patents or trademarks. Documents shall not be provided to a third party or duplicated in any form without prior written permission.
 CAD: Pro/ENGINEER

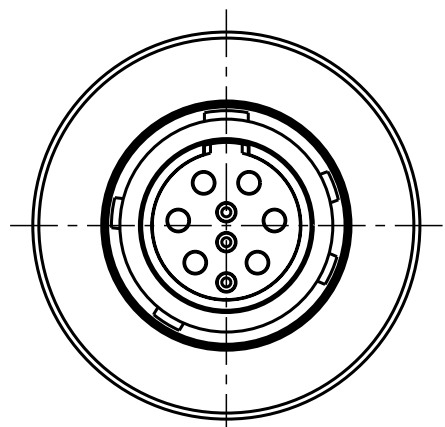
Additional coding
View in direction B
4:1



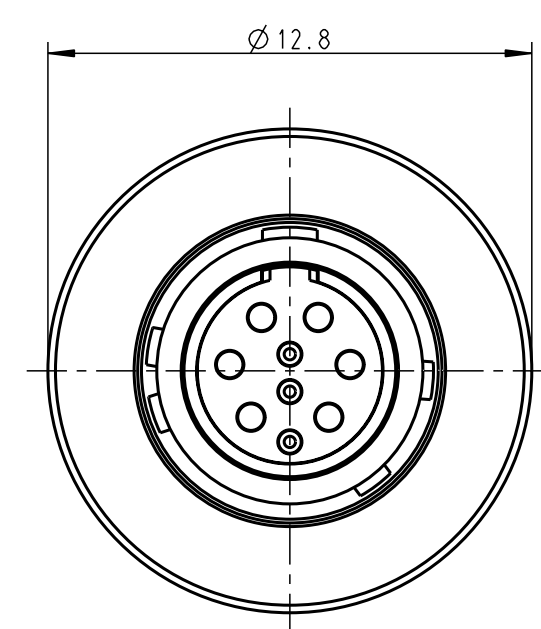
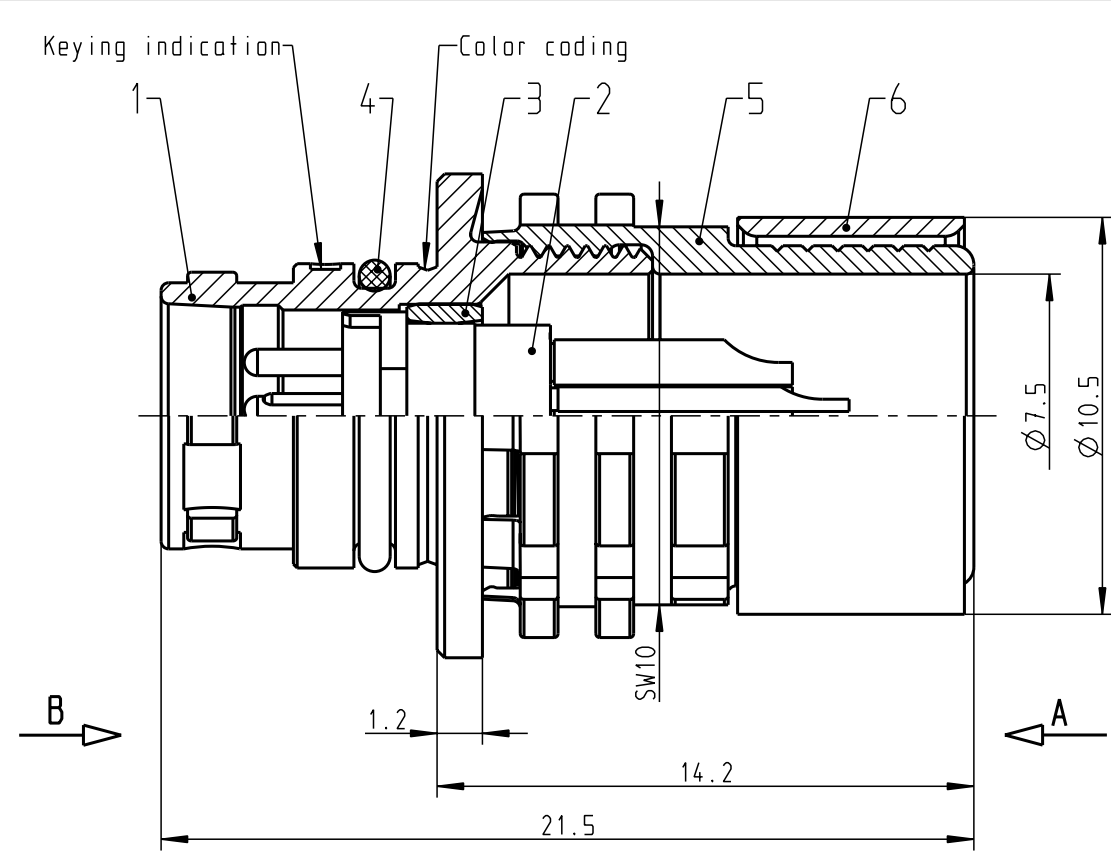
A10WB-M-P09XMM0-0000
Mechanical coding: B
Color coding: red



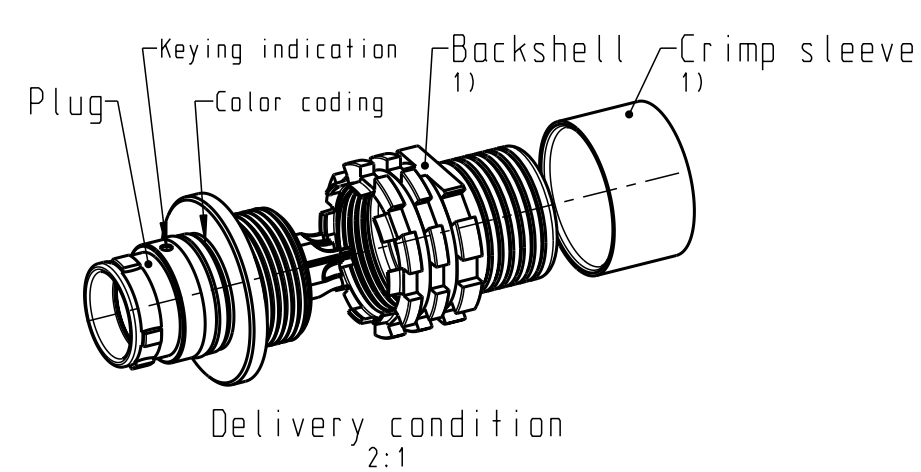
A10WC-M-P09XMM0-0000
Mechanical coding: C
Color coding: blue



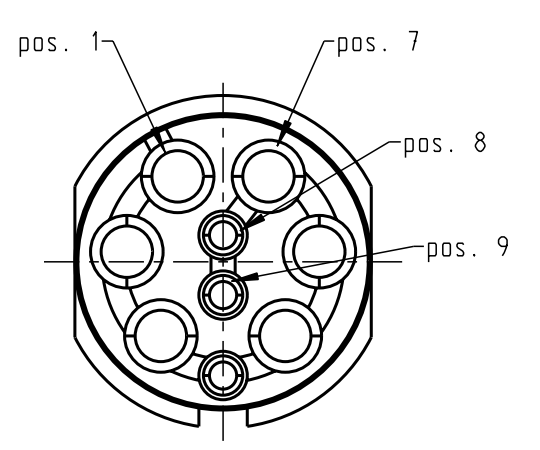
A10WD-M-P09XMM0-0000
Mechanical coding: D
Color coding: green



A10WA-M-P09XMM0-0000
Mechanical coding: A
Color coding: light brown



Only insert
View in direction A
8:1



Power	1,2,3,5,6,7
USB (D+ D-)	8,9
Discrete	4

Technical information

- Max. cable Ø7.0mm (Based on cable with one braided shield)
- Power solder contacts: AWG 22 (pos.1/2/3/5/6/7)
Current load: 5A (Single contact)
- Signal solder contacts: AWG 28 (pos.4/8/9)
Current load: 1A (Single contact)

Test voltage: 750V (acc. SAE AS 13441:1998, Contact to contact)
Rated voltage: 250V (acc. SAE AS 13441:1998) 2)

1) For crimp information, torque, etc. see assembly instruction 010.650.001.000.001 (www.odu.de/downloads)

2) Maximal operating voltage at sea level up to 2.000m. Rated voltage applies no other electrical safety standard. In case other standards rule a specific use of the connector, the application specific safety criteria shall be considered first. This must be evaluated in the frame of equipment engineering.

All shown connectors are according to DIN EN 61984:2009 connectors without breaking capacity (COC)!

General tolerances to DIN ISO 2768-mK				Toleration to DIN ISO 8015		PE-modell-nr.:	
2015				date		name	
prep.				16.02.		Unterblüm.	
app.							
norm.							
index				notice		date	
						CAD-nr.: 00058848	
						sheet.:	
						scale: 5:1	
						drawing nr.: A10W.M-P09XMM0-0000	
						copy	
						replacement for:	
						nr.	

