

φ172_{mm}

San Ace 172



General Specifications

- Material Frame: Aluminum, Impeller: Plastics (Flammability: UL94V-1)
- Expected Life Refer to specifications (L10:Survival rate:90% at 60°C ,
rated voltage, and continuously run in a free air state)
- Lead Wire ⊕red ⊖black (Sensor) yellow
- Storage Temperature -30°C to +70°C (Non-condensing)

φ172mm × 150mm × 51mm (Mass : 800g)

9GV type Sidecut type



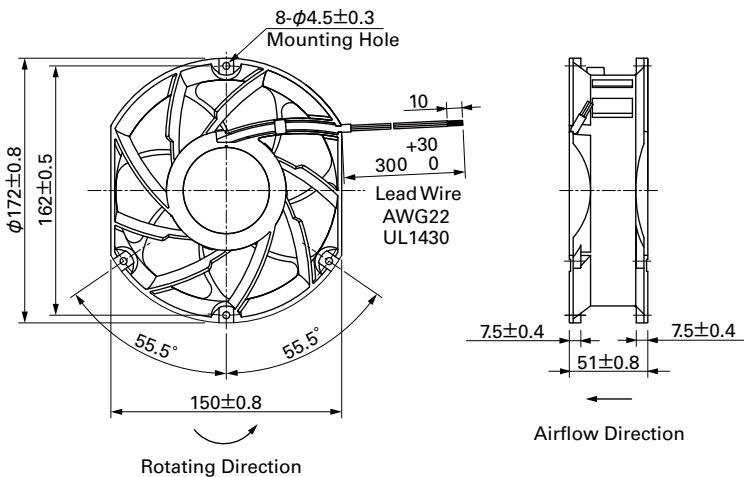
Specifications

The following nos. **have pulse sensors.**

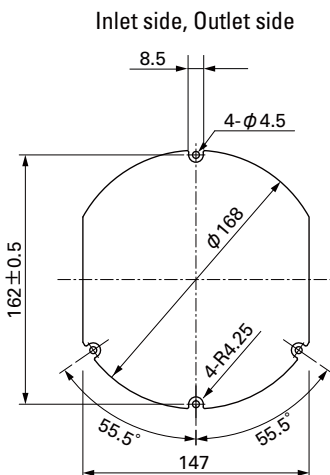
Model No.	Rated Voltage [V]	Operating Voltage Range [V]	Rated Current [A]	Rated Input [W]	Rated Speed [min ⁻¹]	Max. Airflow [m ³ /min] [CFM]	Max. Static Pressure [Pa] [inchH ₂ O]	SPL [dB(A)]	Operating Temperature [°C]	Expected Life [h]
9GV5724H501	24	20.4 to 27.6	4.0	96	6,300	11.32 400	690 2,77	74	- 20 to +70	40,000/60°C
9GV5748H501	48	40.8 to 55.2	2.0	96						

Models without sensors or with PWM control function are available as options. Please refer to the index (p. 478).

Dimensions (unit: mm)



Reference Dimensions of Mounting Holes and Vent Opening (unit: mm)



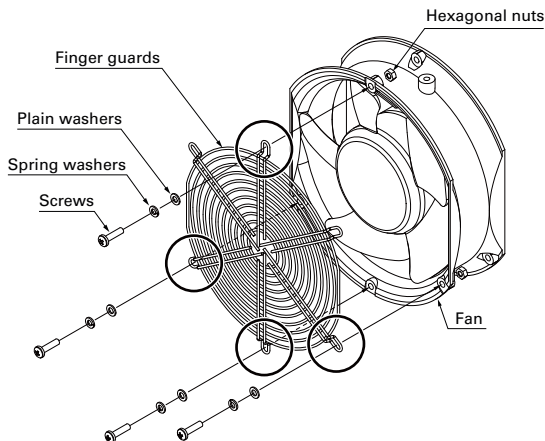
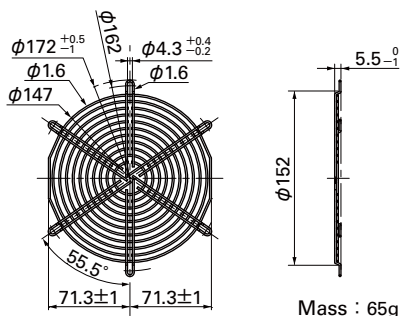
Options (unit: mm)

Finger Guards

Model : 109-319J Color : Nickel-chrome plating (silver)

For the finger guard Model: 109-319J, fix the finger guard to four holes as shown in the diagram.

Inlet side, Outlet side



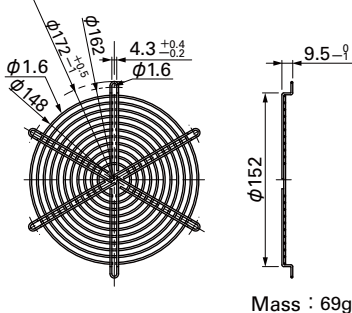
Finger Guards

Model : 109-319E Surface treatment : Nickel-chrome plating (silver) Color : Cation electropainting (black)

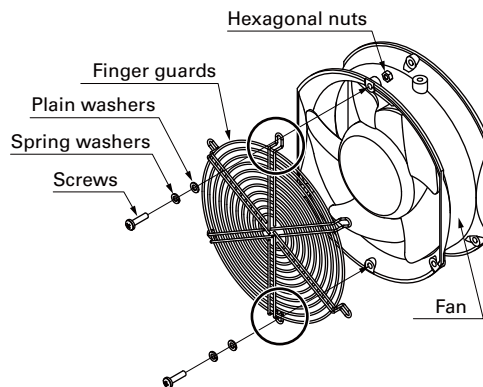
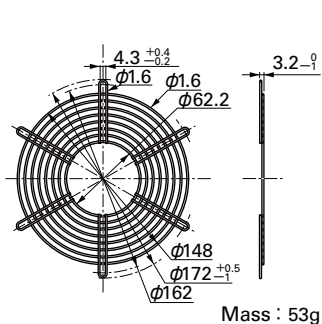
Model : 109-320 Surface treatment : Nickel-chrome plating (silver) Color :

For the finger guard Model: 109-319E, 109-319H, 109-320, fix the finger guard to two holes as shown in the diagram. Do not fix it to any other holes.

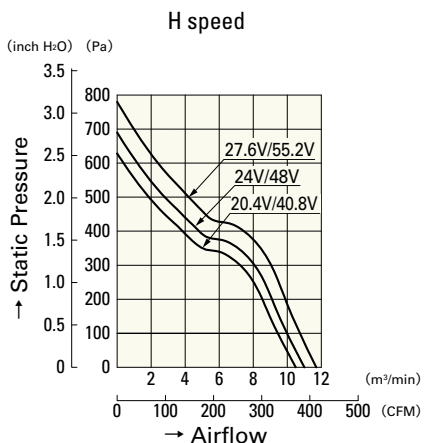
Inlet side, Outlet side



Outlet side



Airflow - Static Pressure Characteristics



9GV5724H501

9GV5748H501