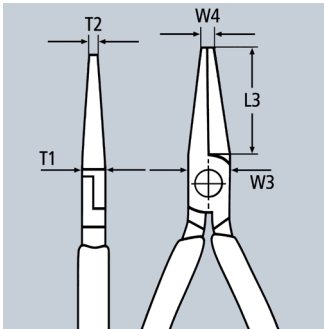


Relay Adjusting Pliers

DIN ISO 5743

32

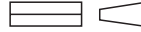
- > perfect for gripping small wires and bending contact and relay springs
- > polished gripping surfaces
- > smooth edges
- > high-grade special tool steel; forged, oil-hardened



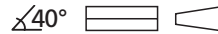
32 11 135



32 21 135



32 31 135



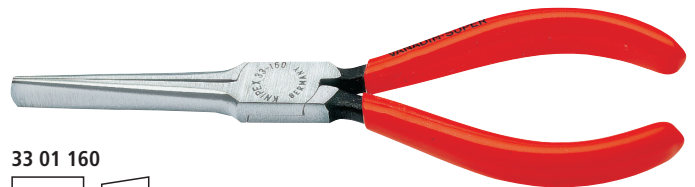
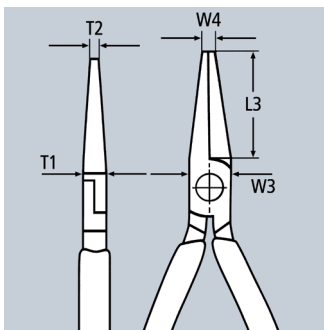
| Product Number | Packaging | ↔ Inch mm | Pliers | Head | Handles | Dimensions | | | | | ⚖ lbs | |
|----------------|-----------|-----------------|--------|--------------------|----------|------------------|------------------|------------------|------------------|------------------|-------------|------|
| | | | | | | L3 Inch mm | W3 Inch mm | T1 Inch mm | W4 Inch mm | T2 Inch mm | | |
| 32 11 135 | | 5 1/4 135 | | black atramentized | polished | plastic coated | 1 11/32 34.0 | 31/64 12.5 | 9/32 7.0 | 1/16 1.4 | 1/16 1.5 | 0.17 |
| 32 21 135 | | 5 1/4 135 | | black atramentized | polished | plastic coated | 1 11/32 34.0 | 31/64 12.5 | 9/32 7.0 | 1/16 1.4 | 9/64 3.5 | 0.16 |
| 32 31 135 | | 5 1/4 135 | | black atramentized | polished | plastic coated | 1 1/4 32.0 | 31/64 12.5 | 9/32 7.0 | 1/16 1.4 | 9/64 3.5 | 0.16 |

Duckbill Pliers

DIN ISO 5743

33

- > duckbill shaped jaws 23/64" (9.0 mm) wide at the tip and tapering to 1/16" (1.5 mm) thickness
- > smooth gripping surfaces
- > chrome vanadium electric steel; forged, oil-hardened



33 01 160



| Product Number | Packaging | ↔ Inch mm | Pliers | Head | Handles | Dimensions | | | | | ⚖ lbs | |
|----------------|-----------|-----------------|--------|--------------------|----------|------------------|------------------|------------------|------------------|------------------|--------------|------|
| | | | | | | L3 Inch mm | W3 Inch mm | T1 Inch mm | W4 Inch mm | T2 Inch mm | | |
| 33 01 160 | X | 6 1/4 160 | | black atramentized | polished | plastic coated | 2 11/64 55.0 | 19/32 15.0 | 19/64 7.5 | 1/8 3.0 | 23/64 9.0 | 0.23 |