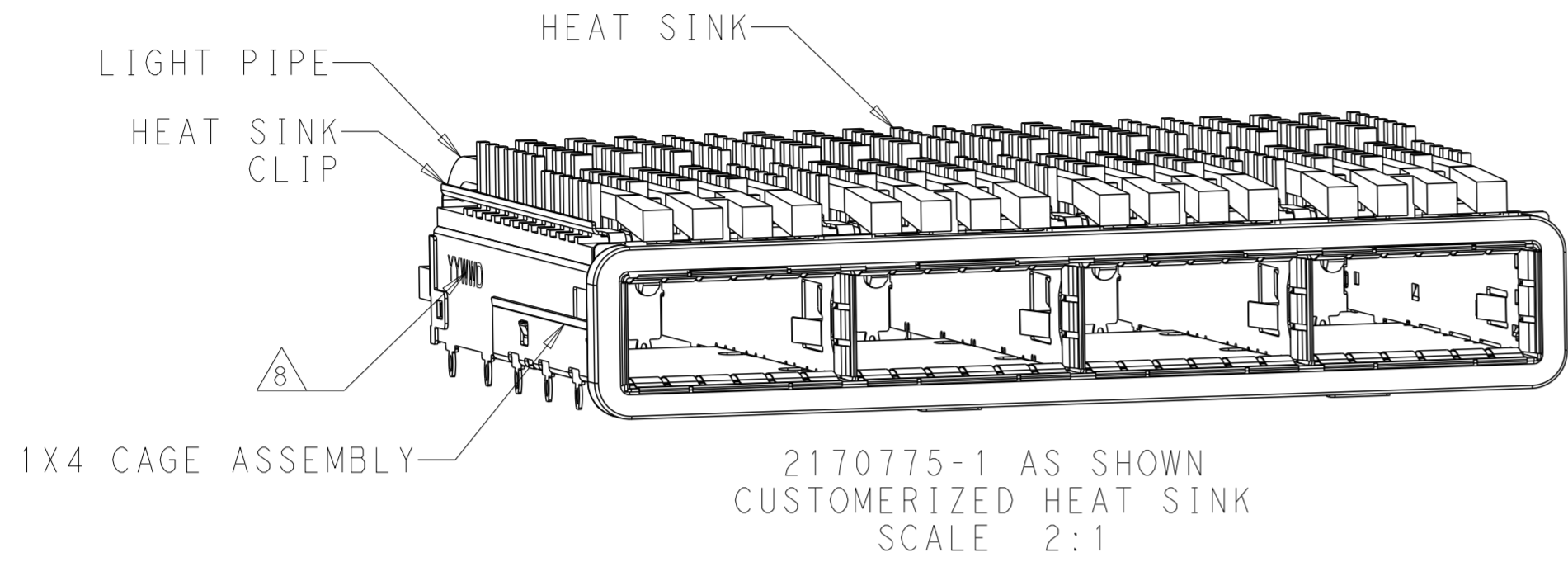
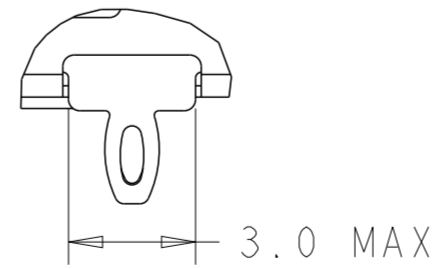
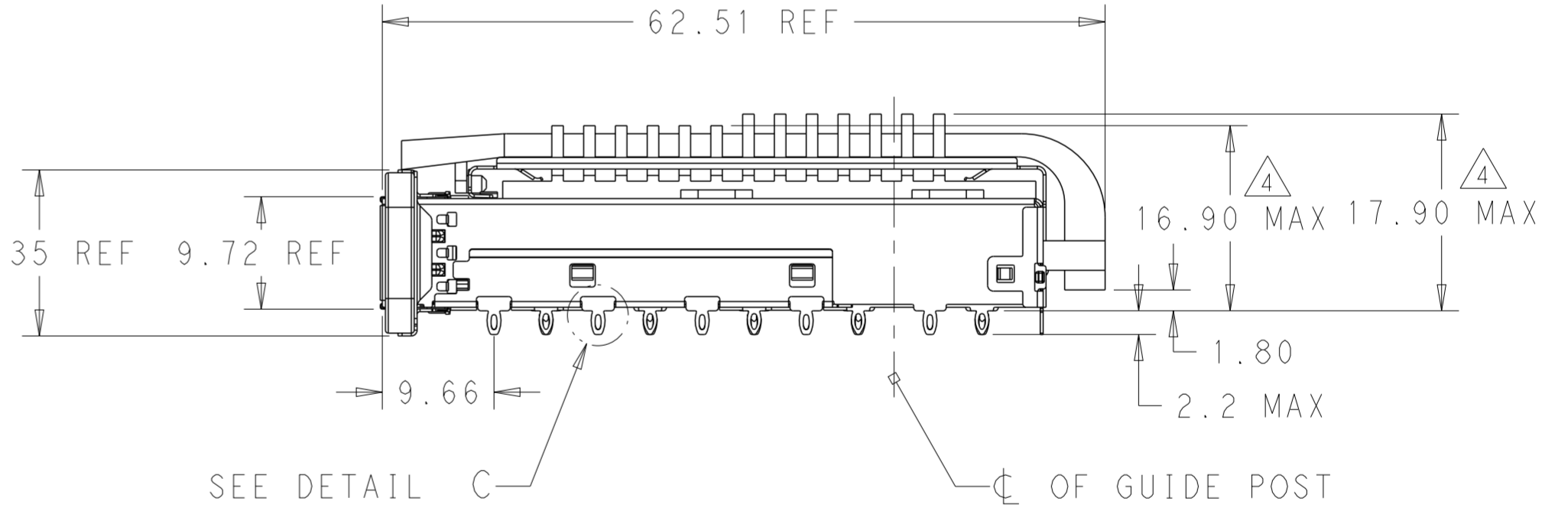
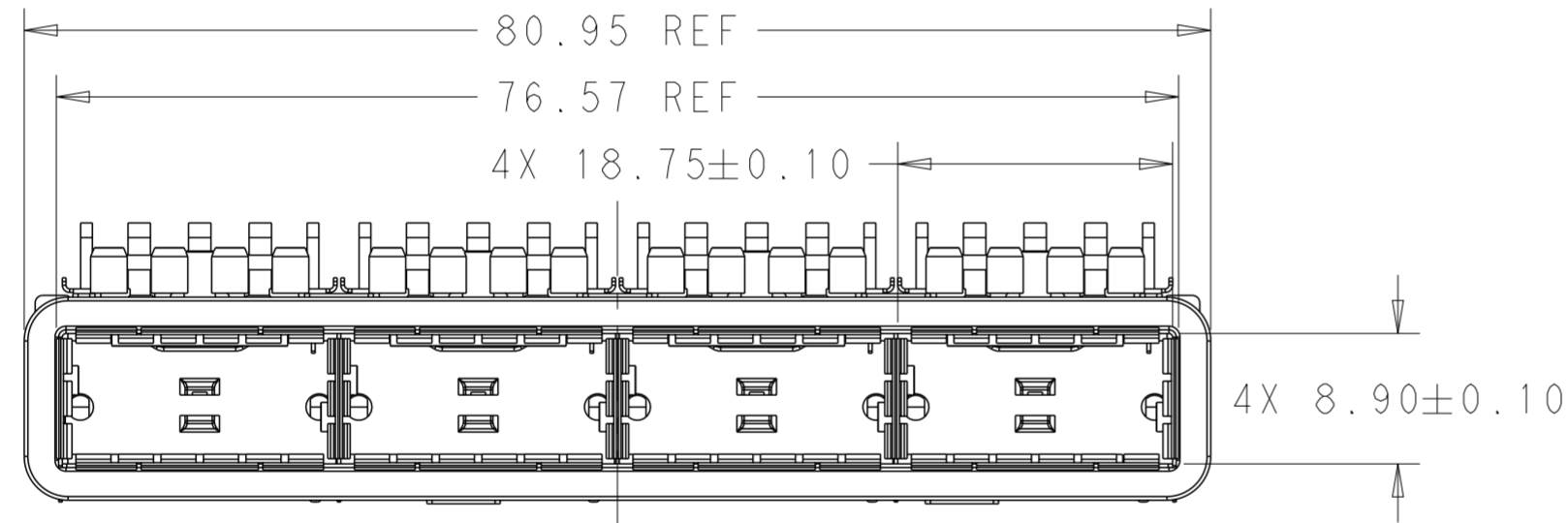


THIS DRAWING IS UNPUBLISHED. RELEASED FOR PUBLICATION 20
 © COPYRIGHT 20 BY - ALL RIGHTS RESERVED.

LOC	DIST	REVISIONS					
GP	00	P	LTR	DESCRIPTION	DATE	DWN	APVD
		A		RELEASE	31OCT2016	JY	SH
		A1		REVISED PER ECN-22-163746	11JUL2022	IT	SZ



- COMPONENTS
 CAGE ASSEMBLY: NICKEL-SILVER ALLOY
 HEAT SINK: ALUMINUM/BLACK ANODIZE
 HEAT SINK CLIP: STAINLESS STEEL
 EMI SPRING: COPPER ALLOY/NICKEL PLATE
 GASKET: PLATED FILLED SILICONE
 LIGHT PIPE: CLEAR POLYCARBONATE WITH UL 94 V_0
 ORGANIZER: POLYESTER WITH UL 94 V_0
- REFERENCE APPLICATION SPECIFICATION 114-32023 FOR RECOMMENDED DRILL HOLE DIAMETER AND PLATING THICKNESS
- DATUM AND BASIC DIMENSION ESTABLISHED BY CUSTOMER
- DIMENSION APPLIES WITH MODULE INSERTED IN CAGE
- HEAT SINKS, HEAT SINK CLIPS AND LIGHT PIPES ARE SHIPPED ASSEMBLED ON CAGE
- MINIMUM PC BOARD THICKNESS: SINGLE SIDED: 1.57 MIN
DOUBLE SIDED: 3.00 MIN
- MATES WITH QSFP28 MSA COMPATIBLE TRANSCEIVER.
- DATE CODE (YYWWD) MARKED APPROXIMATELY AS SHOWN.



CUSTOMERIZED	2170775-4
CUSTOMERIZED	2170775-3
CUSTOMERIZED	2170775-2
CUSTOMERIZED	2170775-1
HEAT SINK HEIGHT	PART NUMBER

THIS DRAWING IS A CONTROLLED DOCUMENT. DWN 20AUG2014 JASON YANG
 CHK 31OCT2016 SEAN HAN
 APVD -

STE TE Connectivity

NAME: CAGE ASSEMBLY, QSFP28, 1X4 WITH HEAT SINKS AND LIGHT PIPES, THRU BEZEL, GASKET

PRODUCT SPEC -
 APPLICATION SPEC -
 WEIGHT -

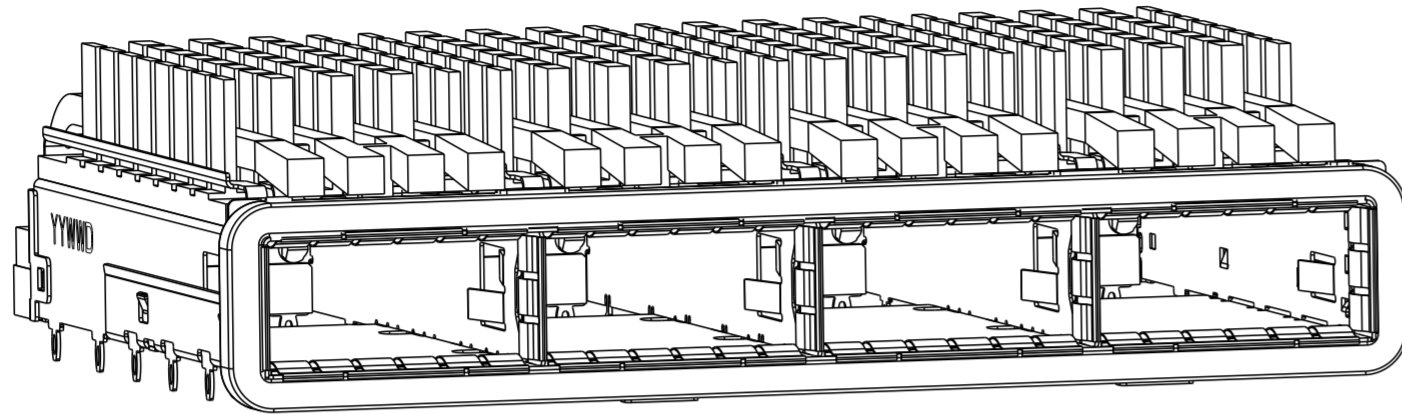
SIZE: A2 CAGE CODE: 00779 DRAWING NO: C-2170775 RESTRICTED TO: -
 SCALE: 3:1 SHEET 1 OF 7 REV A1

MATERIAL: SEE NOTES TOLERANCES UNLESS OTHERWISE SPECIFIED:
 0 PLC ±-
 1 PLC ±0.25
 2 PLC ±0.2
 3 PLC ±-
 4 PLC ±-
 ANGLES ±-
 FINISH ±-

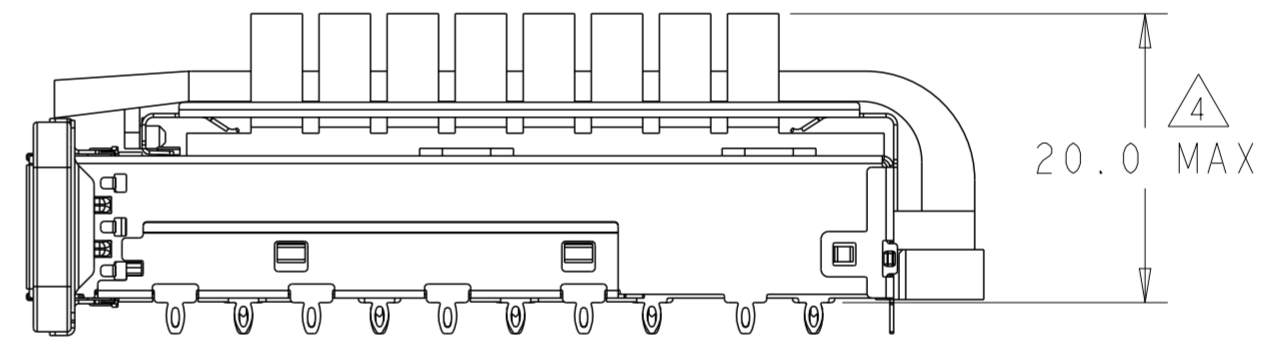
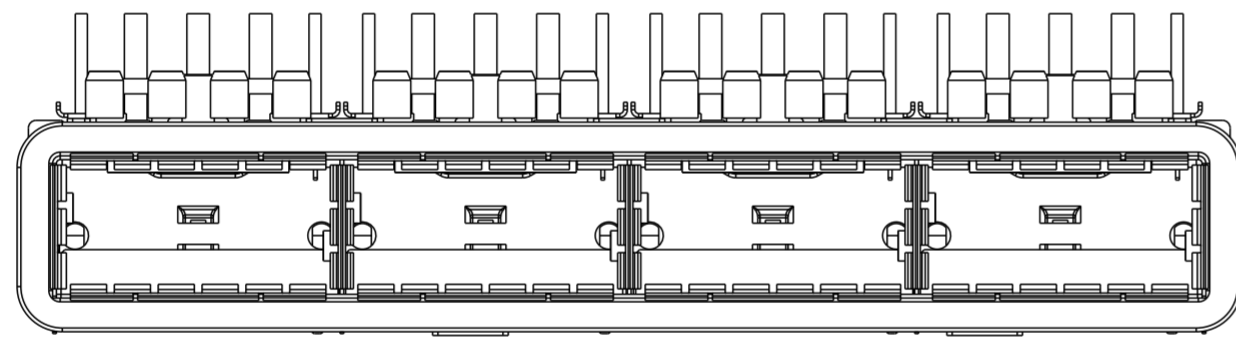
CUSTOMER DRAWING

THIS DRAWING IS UNPUBLISHED. RELEASED FOR PUBLICATION 20
 © COPYRIGHT 20 BY - ALL RIGHTS RESERVED.

LOC	DIST	REVISIONS					
		P	LTR	DESCRIPTION	DATE	DWN	APVD
		rev_sym_1	16E6-8H6E11		rev.date	rev.dwn	rev.appr
		rev_sym_2	rev_desc_2		rev.date	rev.dwn	rev.appr
		rev_sym_3	rev_desc_3		rev.date	rev.dwn	rev.appr
		rev_sym_4	rev_desc_4		rev.date	rev.dwn	rev.appr



2170775-2 AS SHOWN
 CUSTOMERIZED HEAT SINK
 SCALE 2:1

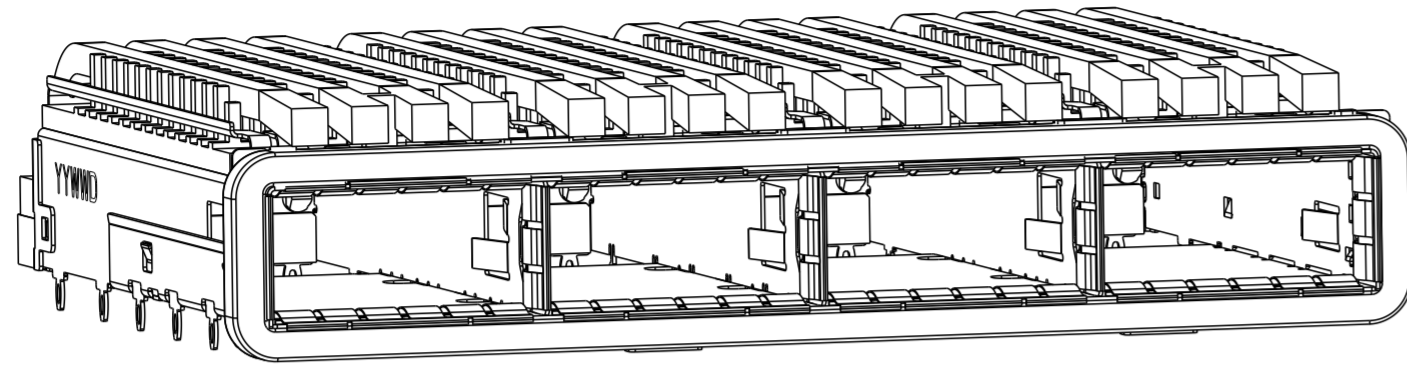


2170775-2
 UNSPECIFIED DIMENSIONS ARE SAME AS 2170775-1
 SCALE 2:1

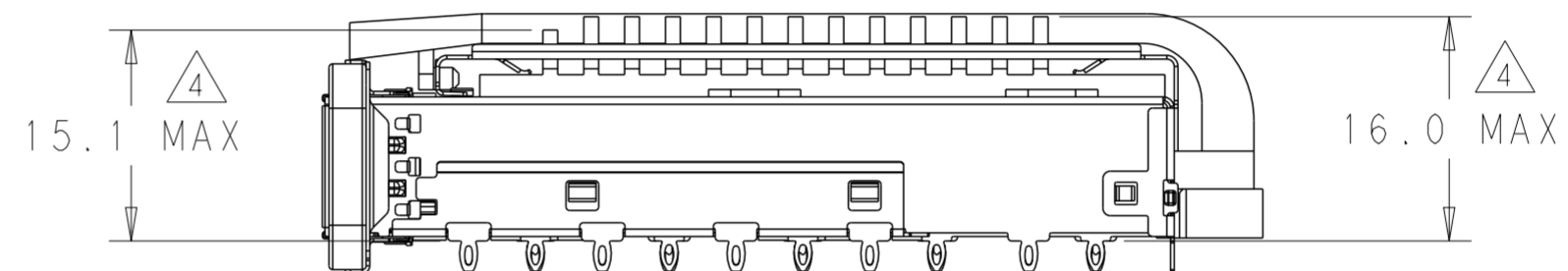
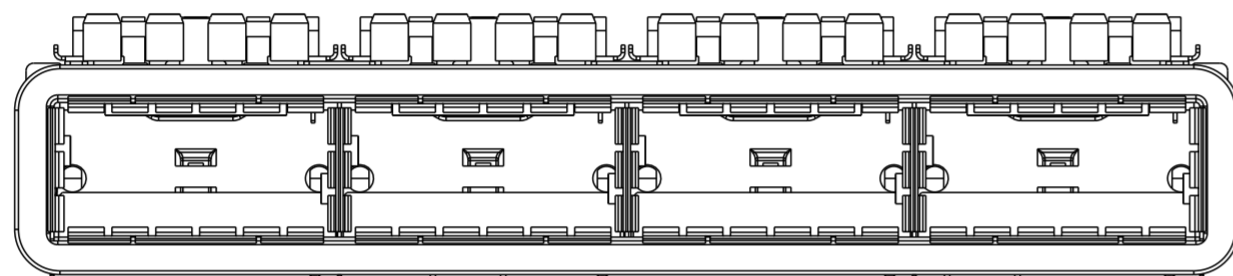
THIS DRAWING IS A CONTROLLED DOCUMENT.		DWN JASON YANG 20AUG2014	STE TE Connectivity	
		CHK SEAN HAN 31OCT2016		
DIMENSIONS: mm	TOLERANCES UNLESS OTHERWISE SPECIFIED:	APVD -	NAME CAGE ASSEMBLY, QSFP28, 1X4 WITH HEAT SINKS AND LIGHT PIPES, THRU BEZEL, GASKET	
	0 PLC ± 1 PLC ±0.25 2 PLC ±0.2 3 PLC ± 4 PLC ± ANGLES ±	PRODUCT SPEC -	SIZE A2	CAGE CODE 00779
MATERIAL SEE NOTES material_2	FINISH SEE NOTES finish_spec_2	APPLICATION SPEC -	DRAWING NO C-2170775	RESTRICTED TO -
CUSTOMER DRAWING		WEIGHT -	SCALE 3:1	SHEET 2 OF 7
				REV A1

THIS DRAWING IS UNPUBLISHED. RELEASED FOR PUBLICATION 20
 © COPYRIGHT 20 BY - ALL RIGHTS RESERVED.

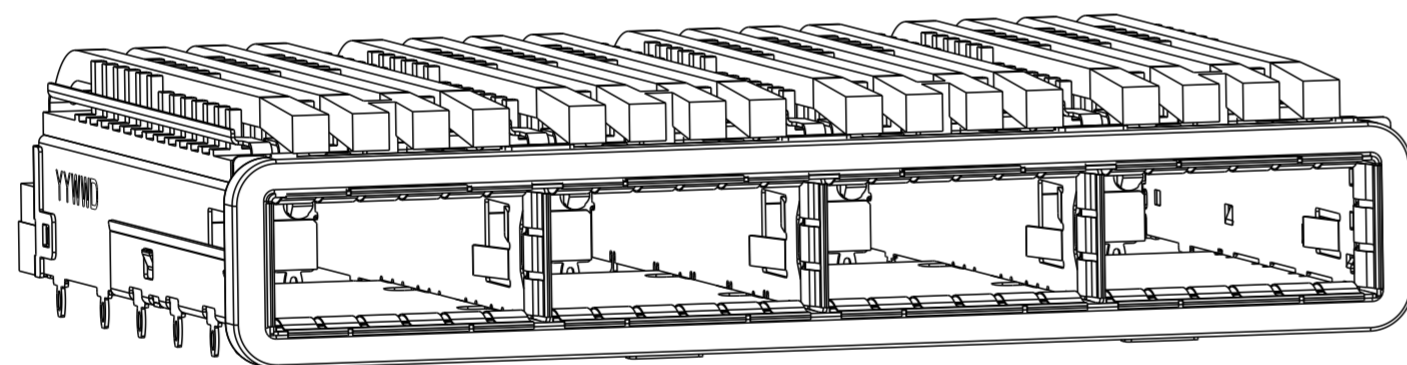
LOC		DIST		REVISIONS			
P	LTR	DESCRIPTION		DATE	DWN	APVD	
rev_sym_1	16E6-8H6E11			rev.date	rev.dwn	rev.appr	
rev_sym_2	rev_desc_2			rev.date	rev.dwn	rev.appr	
rev_sym_3	rev_desc_3			rev.date	rev.dwn	rev.appr	
rev_sym_4	rev_desc_4			rev.date	rev.dwn	rev.appr	



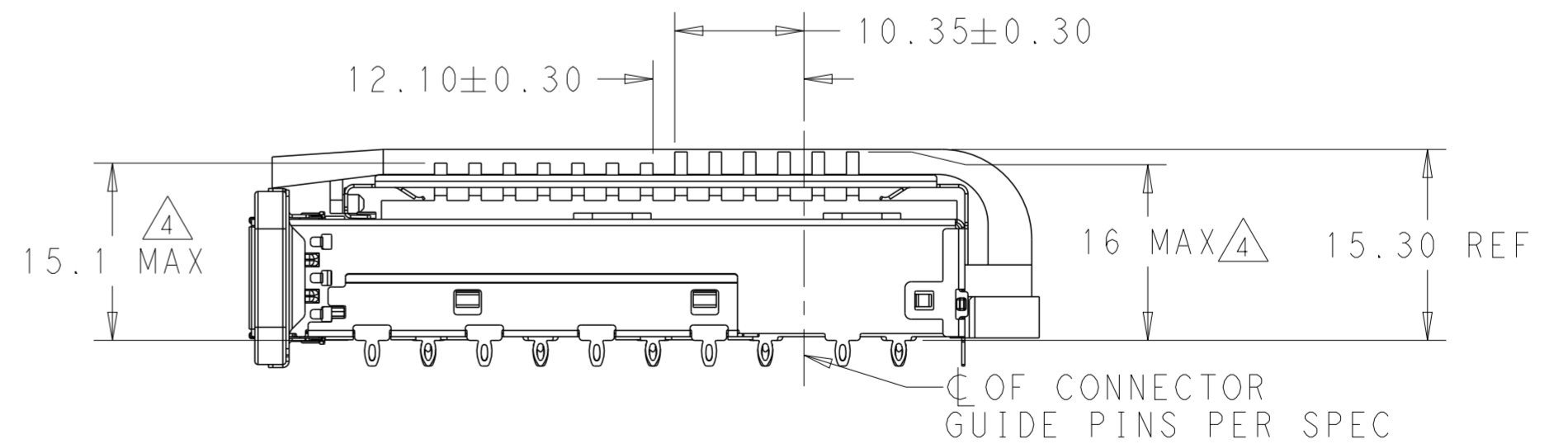
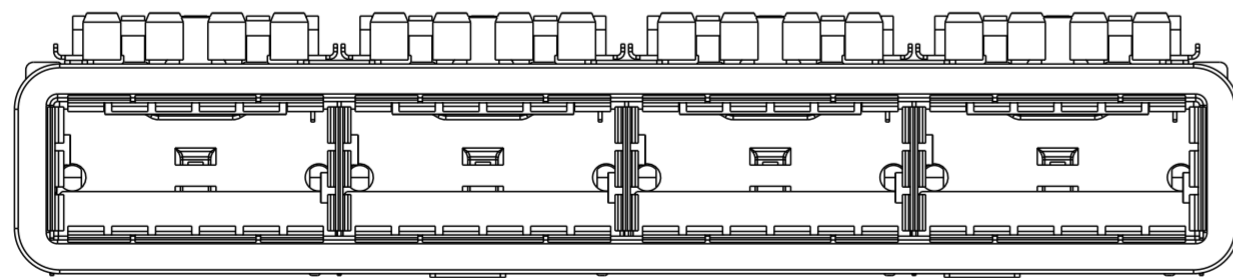
2170775-3 AS SHOWN
 CUSTOMERIZED HEAT SINK
 SCALE 2:1



2170775-3
 UNSPECIFIED DIMENSIONS ARE SAME AS 2170775-1
 SCALE 2:1



2170775-4 AS SHOWN
 CUSTOMERIZED HEAT SINK
 SCALE 2:1

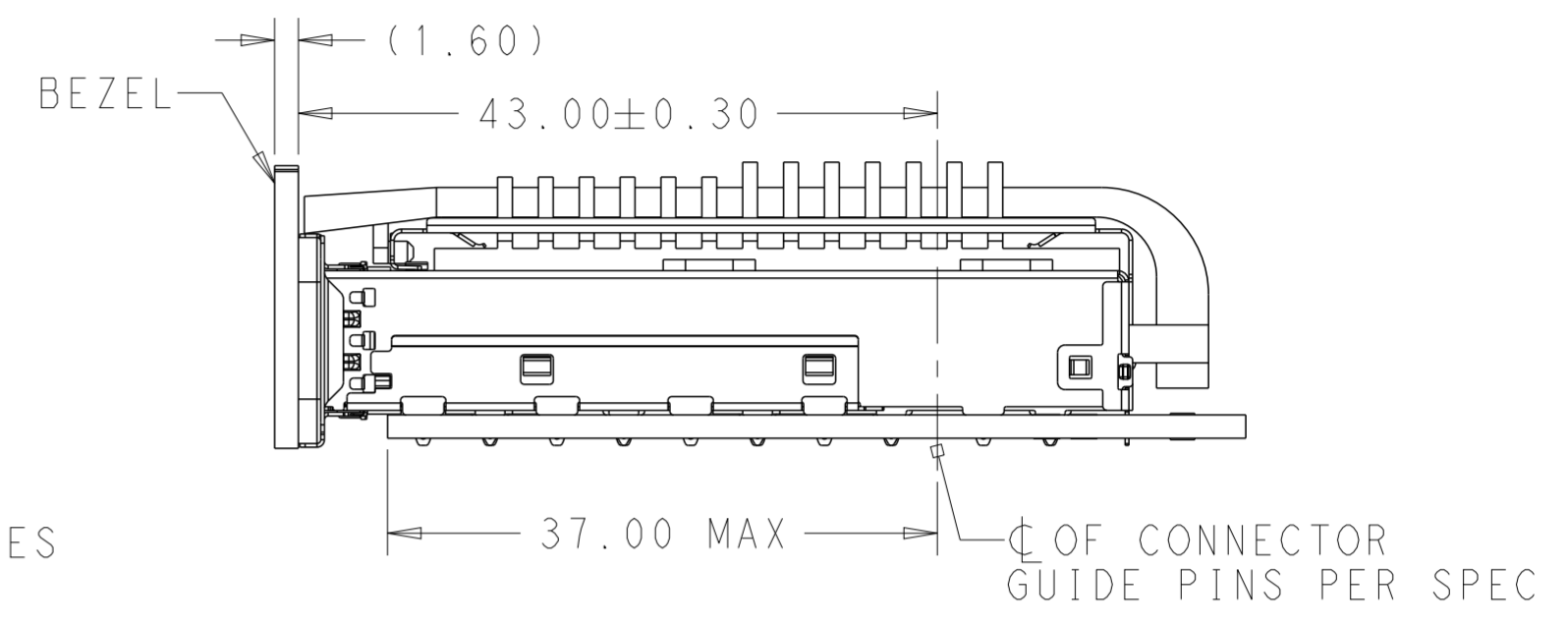
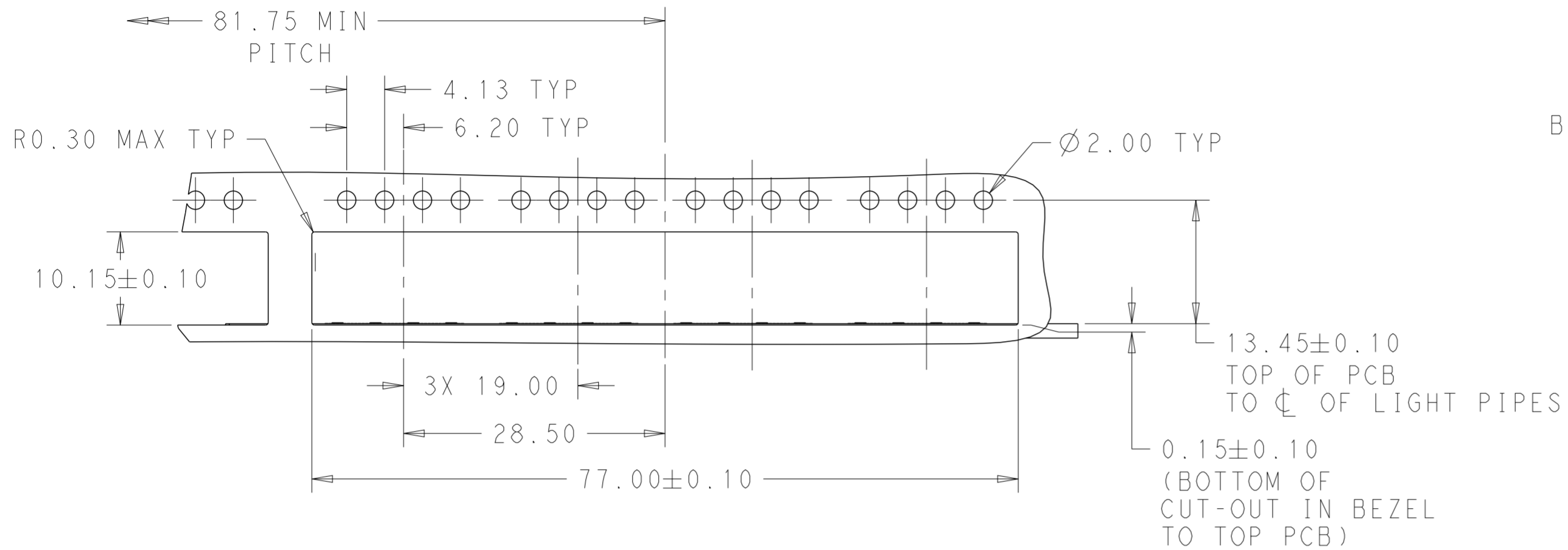


2170775-4
 UNSPECIFIED DIMENSIONS ARE SAME AS 2170775-3
 SCALE 2:1

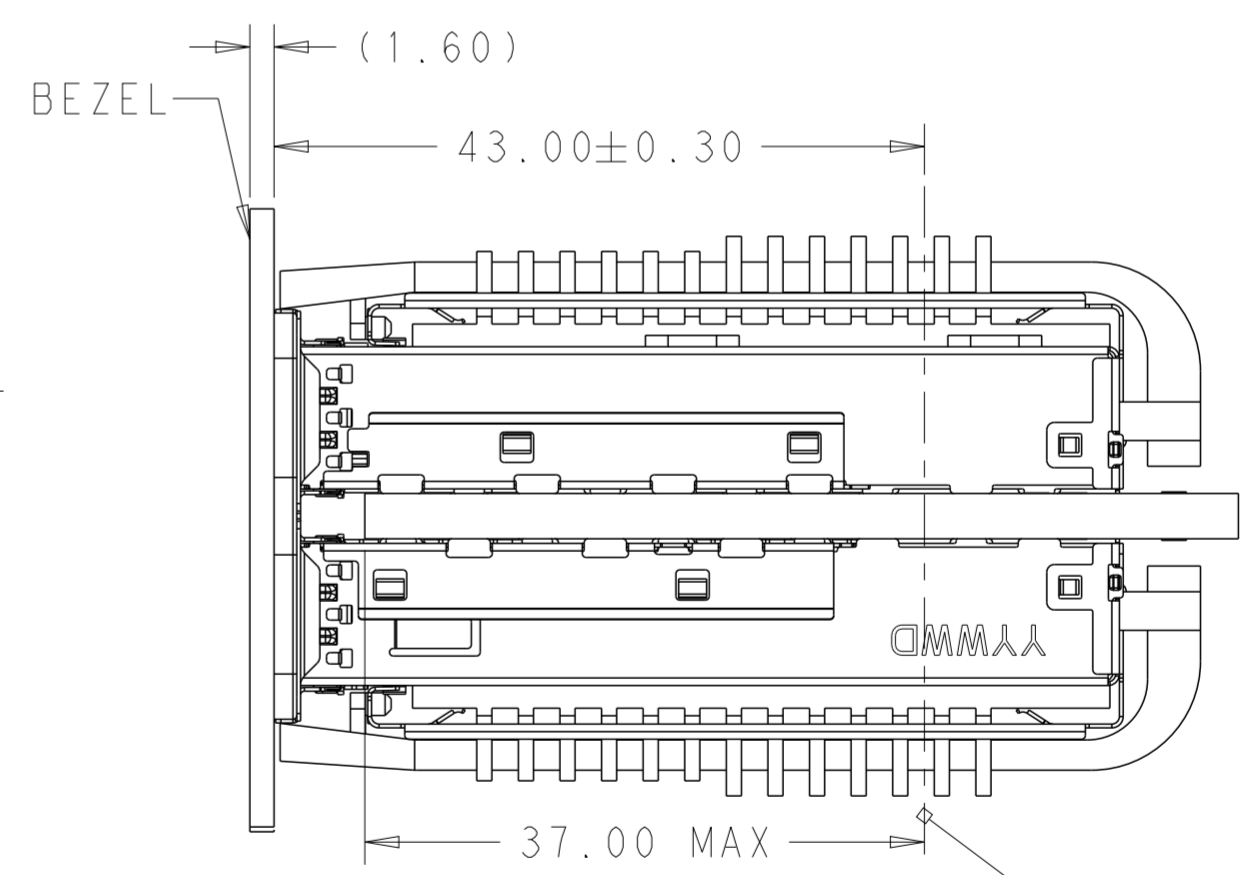
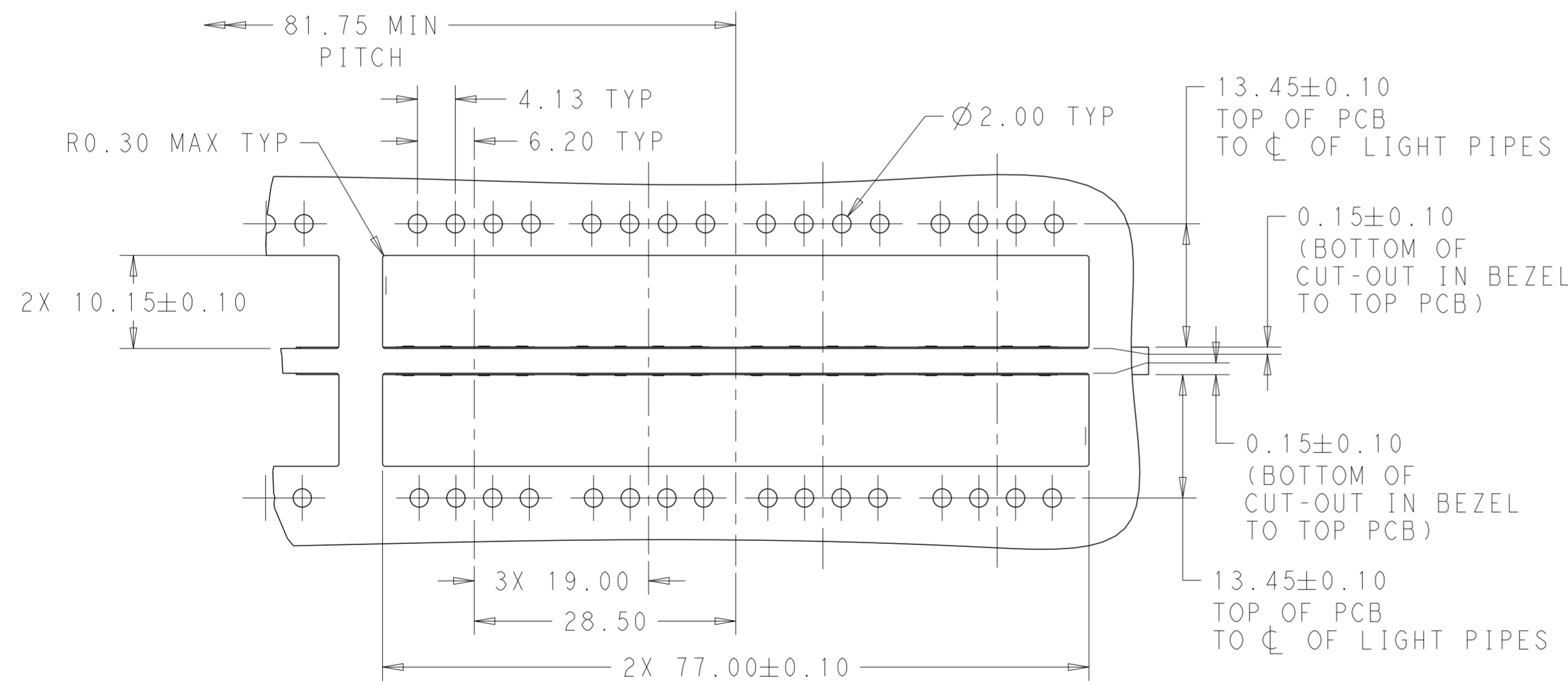
THIS DRAWING IS A CONTROLLED DOCUMENT.		DWN JASON YANG 20AUG2014	TE Connectivity	
		CHK SEAN HAN 31OCT2016		
DIMENSIONS:	TOLERANCES UNLESS OTHERWISE SPECIFIED:	APVD	NAME	
mm	0 PLC ± 1 PLC ±0.25 2 PLC ±0.2 3 PLC ± 4 PLC ±	PRODUCT SPEC	CAGE ASSEMBLY, QSFP28, 1X4 WITH HEAT SINKS AND LIGHT PIPES, THRU BEZEL, GASKET	
	ANGLES ±	APPLICATION SPEC	SIZE	CAGE CODE
MATERIAL	FINISH	WEIGHT	A200779	C-2170775
SEE NOTES material_2	SEE NOTES finish_spec_2	CUSTOMER DRAWING	SCALE 3:1	SHEET 3 OF 7
			RESTRICTED TO	REV A1

THIS DRAWING IS UNPUBLISHED. RELEASED FOR PUBLICATION 20
 © COPYRIGHT 20 BY - ALL RIGHTS RESERVED.

LOC		DIST		REVISIONS			
P	LTR	DESCRIPTION		DATE	DWN	APVD	
rev_sym_1	16E6-8H6E11			rev.date	rev.dwn	rev.appr	1
rev_sym_2	rev_desc_2			rev.date	rev.dwn	rev.appr	2
rev_sym_3	rev_desc_3			rev.date	rev.dwn	rev.appr	3
rev_sym_4	rev_desc_4			rev.date	rev.dwn	rev.appr	4



SINGLE SIDE MOUNTING
SCALE 2:1

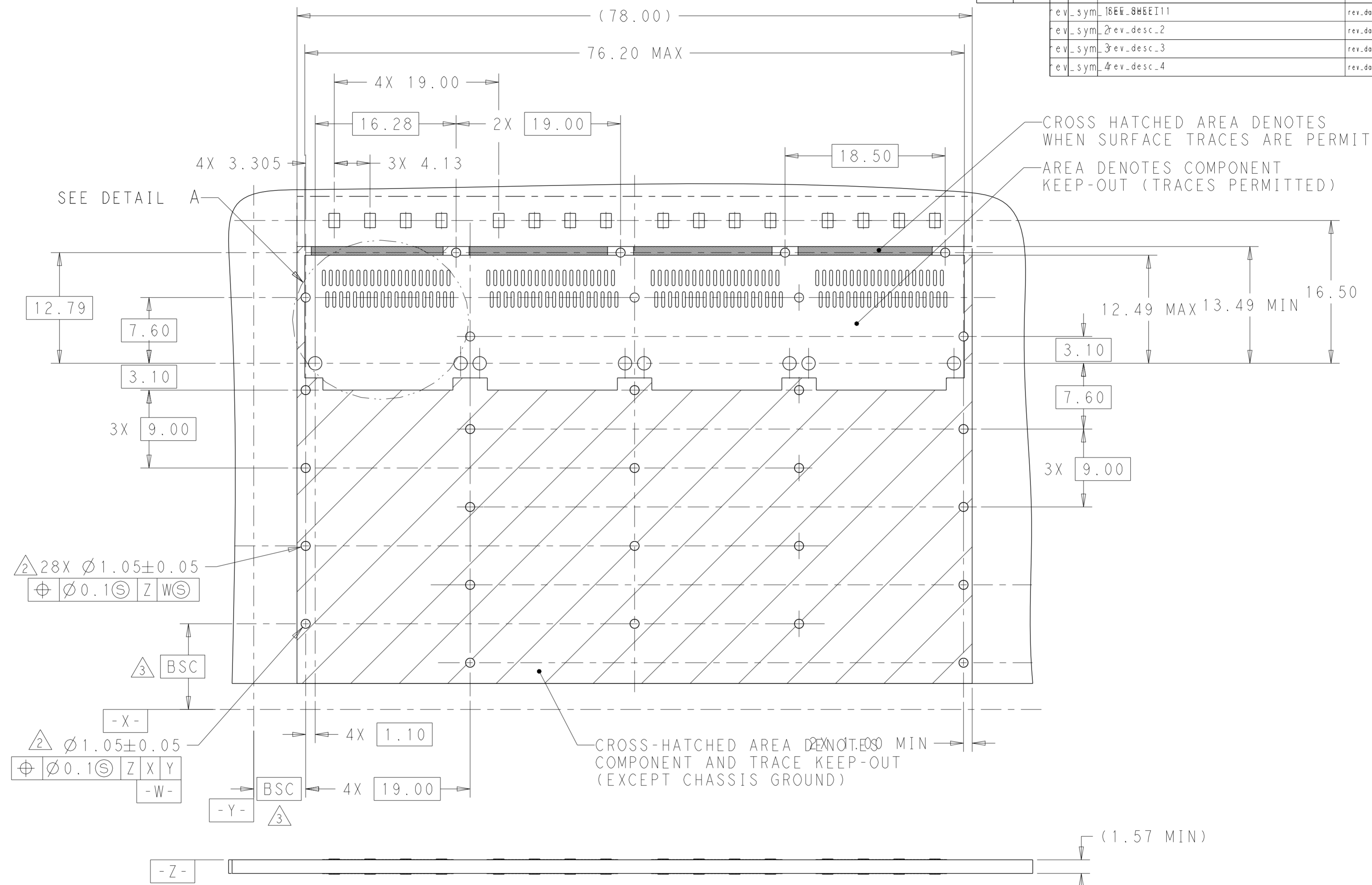


BELLY TO BELLY MOUNTING
SCALE 2:1

THIS DRAWING IS A CONTROLLED DOCUMENT.		DWN JASON YANG 20AUG2014	TE Connectivity	
		CHK SEAN HAN 31OCT2016		
DIMENSIONS: mm	TOLERANCES UNLESS OTHERWISE SPECIFIED:	APVD -	NAME CAGE ASSEMBLY, QSFP28, 1X4 WITH HEAT SINKS AND LIGHT PIPES, THRU BEZEL, GASKET	
0 PLC ±	1 PLC ±0.25	PRODUCT SPEC -	SIZE A200779	DRAWING NO C-2170775
2 PLC ±0.2	3 PLC ±	APPLICATION SPEC -	RESTRICTED TO -	
4 PLC ±	ANGLES ±	WEIGHT -	SCALE 3:1	SHEET 4 OF 7
MATERIAL SEE NOTES material_2	FINISH SEE NOTES finish_spec_2	CUSTOMER DRAWING	REV A1	

THIS DRAWING IS UNPUBLISHED. RELEASED FOR PUBLICATION 20
 © COPYRIGHT 20 BY - ALL RIGHTS RESERVED.

LOC		DIST		REVISIONS			
P	LTR	DESCRIPTION		DATE	DWN	APVD	
rev_sym_1	16EE-8HBEI11			rev.date	rev.dwn	rev.appr	1
rev_sym_2	rev_desc_2			rev.date	rev.dwn	rev.appr	2
rev_sym_3	rev_desc_3			rev.date	rev.dwn	rev.appr	3
rev_sym_4	rev_desc_4			rev.date	rev.dwn	rev.appr	4

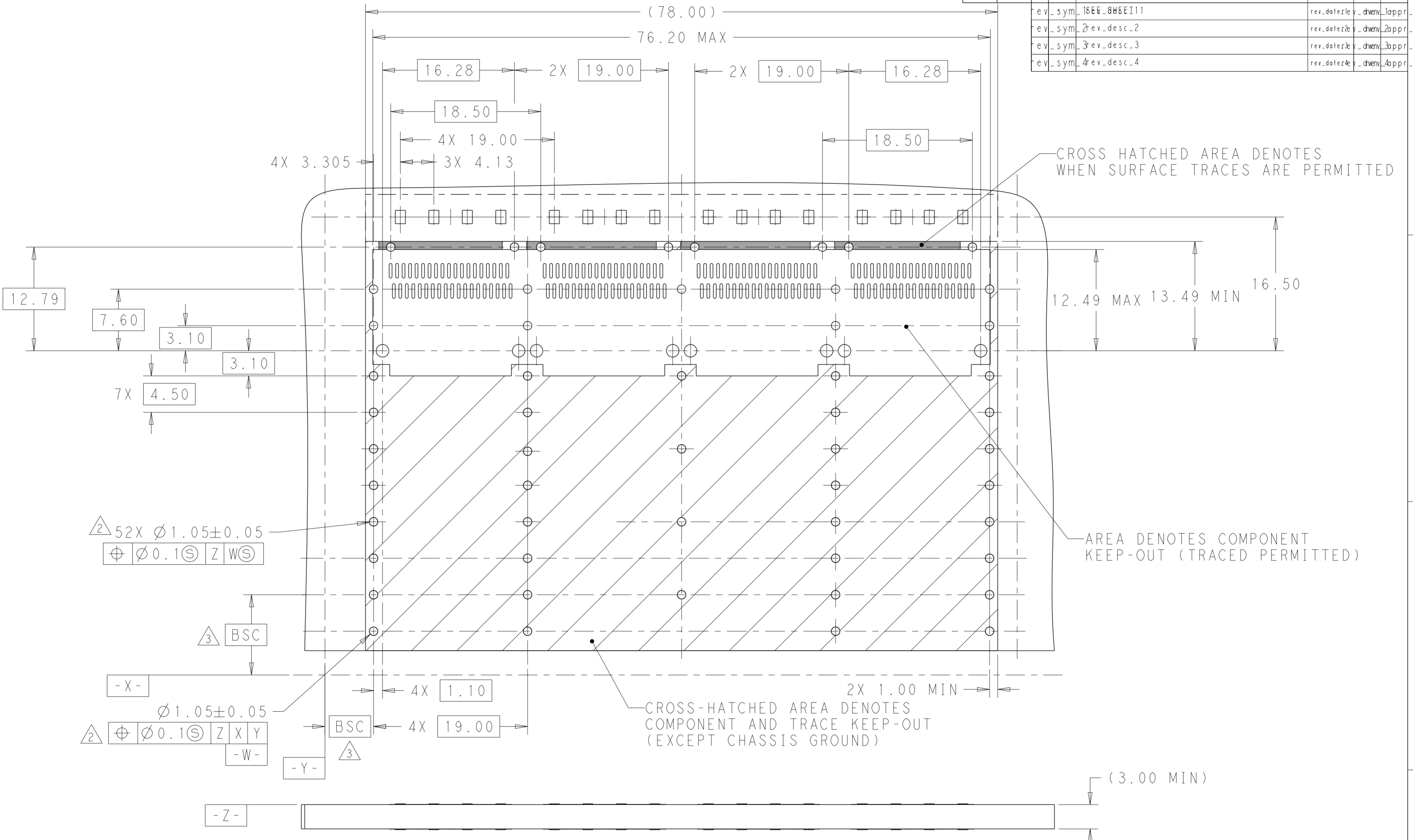


RECOMMENDED PCB LAYOUT
 SINGLE SIDE MOUNTED CONFIGURATION
 PCB TOLERANCE: ±0.05
 SCALE 3:1

THIS DRAWING IS A CONTROLLED DOCUMENT.		DWN JASON YANG 20AUG2014	TE Connectivity	
		CHK SEAN HAN 31OCT2016		
DIMENSIONS: mm		TOLERANCES UNLESS OTHERWISE SPECIFIED:		NAME CAGE ASSEMBLY, QSFP28, 1X4 WITH HEAT SINKS AND LIGHT PIPES, THRU BEZEL, GASKET
		0 PLC ± 1 PLC ±0.25 2 PLC ±0.2 3 PLC ± 4 PLC ± ANGLES ± FINISH SEE NOTES		PRODUCT SPEC APPLICATION SPEC WEIGHT SCALE 1:1 SHEET 5 OF 7 REV A1
MATERIAL SEE NOTES material_2		FINISH SEE NOTES finish_spec_2		SIZE A200779
		CUSTOMER DRAWING		DRAWING NO C-2170775 RESTRICTED TO -

THIS DRAWING IS UNPUBLISHED. RELEASED FOR PUBLICATION 20
 © COPYRIGHT 20 BY - ALL RIGHTS RESERVED.

REVISIONS				
P	LTR	DESCRIPTION	DATE	APVD
1	rev_sym_1	16E-8HBEI11	rev.date	rev.dwn
2	rev_sym_2	rev_desc_2	rev.date	rev.dwn
3	rev_sym_3	rev_desc_3	rev.date	rev.dwn
4	rev_sym_4	rev_desc_4	rev.date	rev.dwn



CROSS HATCHED AREA DENOTES WHEN SURFACE TRACES ARE PERMITTED

AREA DENOTES COMPONENT KEEP-OUT (TRACED PERMITTED)

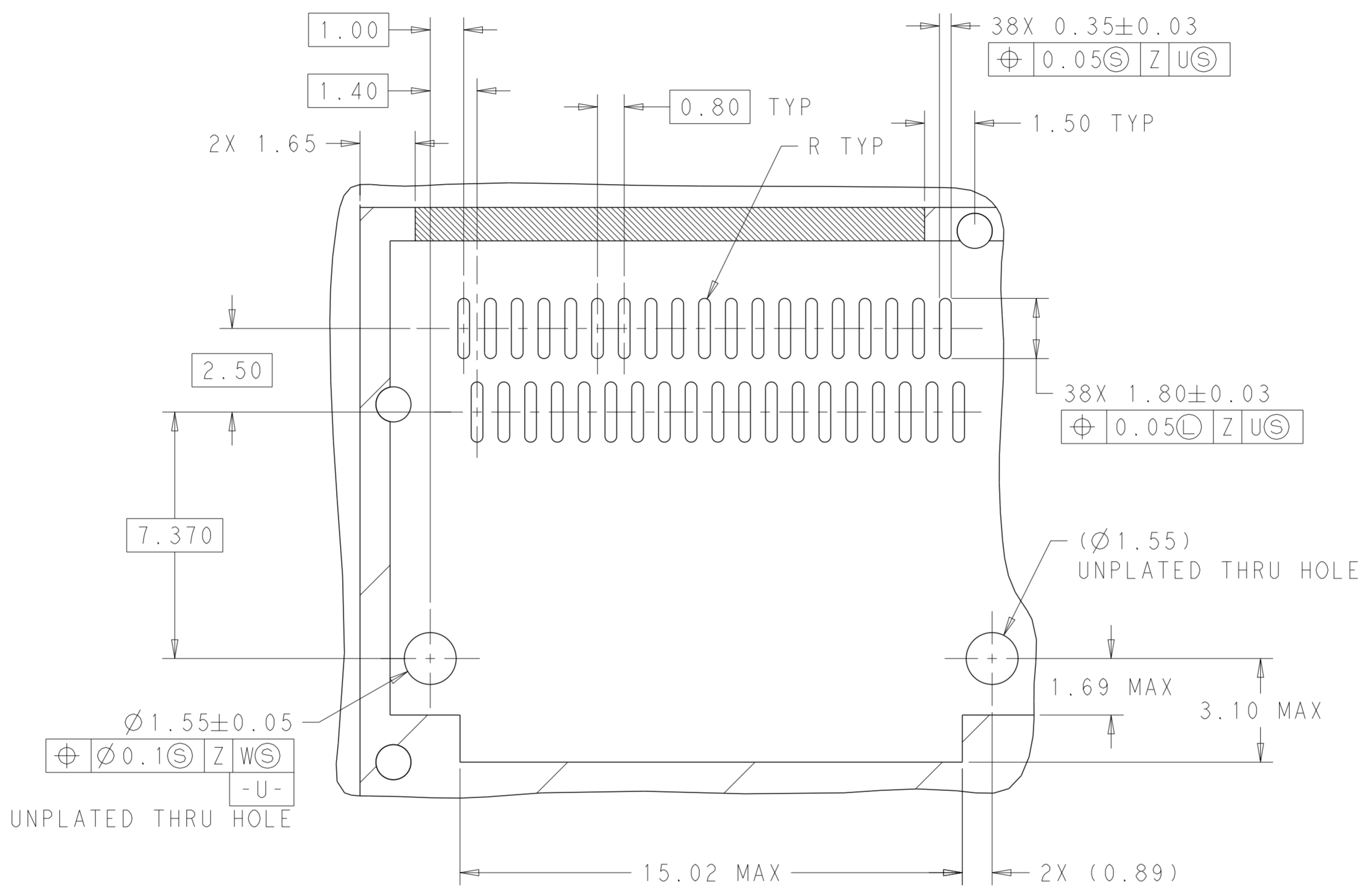
CROSS-HATCHED AREA DENOTES COMPONENT AND TRACE KEEP-OUT (EXCEPT CHASSIS GROUND)

RECOMMENDED PCB LAYOUT
 BELLY TO BELLY MOUNTED CONFIGURATION
 PCB TOLERANCE: ±0.05
 SCALE 3:1

THIS DRAWING IS A CONTROLLED DOCUMENT.		DWN JASON YANG 20AUG2014	TE Connectivity	
		CHK SEAN HAN 31OCT2016		
DIMENSIONS: mm		APVD -	NAME CAGE ASSEMBLY, QSFP28, 1X4 WITH HEAT SINKS AND LIGHT PIPES, THRU BEZEL, GASKET	
TOLERANCES UNLESS OTHERWISE SPECIFIED: 0 PLC ± 1 PLC ±0.25 2 PLC ±0.2 3 PLC ± 4 PLC ± ANGLES ± FINISH		PRODUCT SPEC -	SIZE A2	
MATERIAL SEE NOTES material_2		APPLICATION SPEC -	CAGE CODE A200779	
		WEIGHT -	DRAWING NO C-2170775	
		CUSTOMER DRAWING		RESTRICTED TO -
		SCALE 1:1		SHEET 6 OF 7
				REV A1

THIS DRAWING IS UNPUBLISHED. RELEASED FOR PUBLICATION 20
 © COPYRIGHT 20 BY - ALL RIGHTS RESERVED.

LOC		DIST		REVISIONS			
P	LTR	DESCRIPTION	DATE	DWN	APVD		
rev_sym_1	16EE-8HBEI11		rev.date	rev.dwn	rev.appr	.1	
rev_sym_2	rev_desc_2		rev.date	rev.dwn	rev.appr	.2	
rev_sym_3	rev_desc_3		rev.date	rev.dwn	rev.appr	.3	
rev_sym_4	rev_desc_4		rev.date	rev.dwn	rev.appr	.4	



DETAIL A
 RECOMMENDED CONNECTOR LAYOUT
 (APPLIES TO ALL PCB LAYOUTS)
 4X INDIVIDUALLY
 SCALE 8:1

THIS DRAWING IS A CONTROLLED DOCUMENT.		DWN JASON YANG 20AUG2014	STE TE Connectivity	
		CHK SEAN HAN 31OCT2016		
DIMENSIONS: mm	TOLERANCES UNLESS OTHERWISE SPECIFIED:	APVD -	NAME CAGE ASSEMBLY, QSFP28, 1X4 WITH HEAT SINKS AND LIGHT PIPES, THRU BEZEL, GASKET	
	0 PLC ± 1 PLC ±0.25 2 PLC ±0.2 3 PLC ± 4 PLC ± ANGLES ±	PRODUCT SPEC -	SIZE A2	
MATERIAL SEE NOTES material_2	FINISH SEE NOTES finish_spec_2	APPLICATION SPEC -	CAGE CODE A200779	DRAWING NO C-2170775
		WEIGHT -	RESTRICTED TO -	
		CUSTOMER DRAWING	SCALE 1:1	SHEET 7 OF 7
			REV A1	