

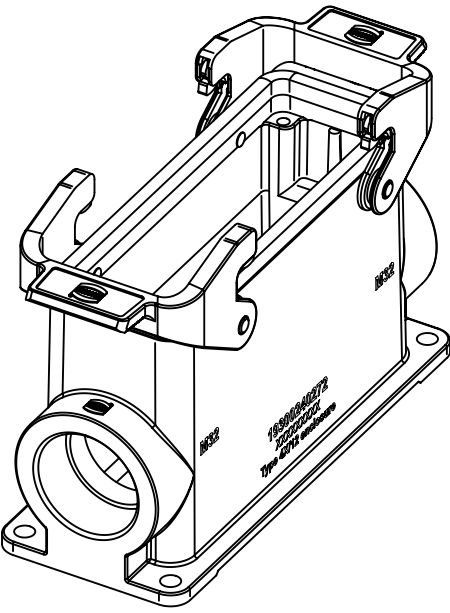
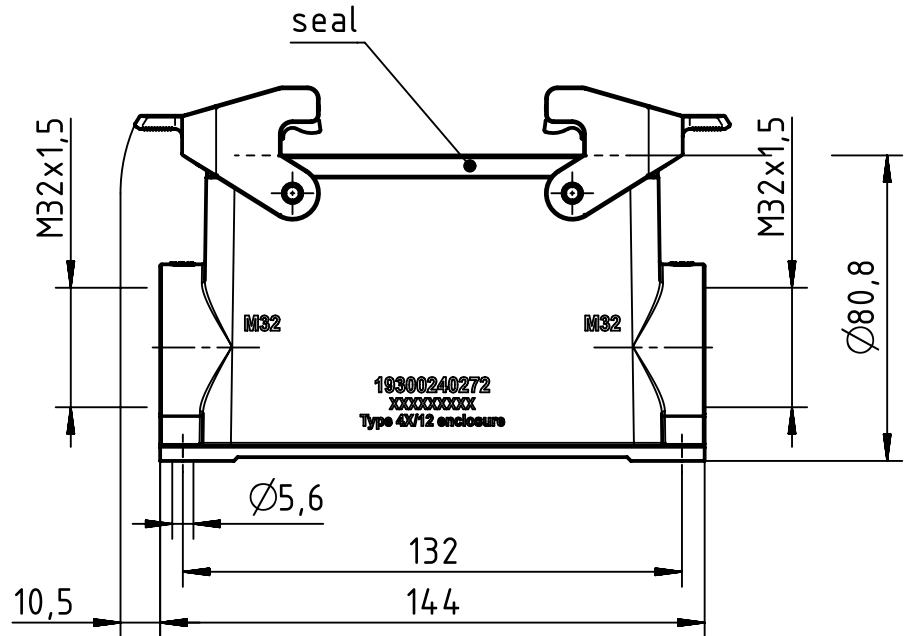
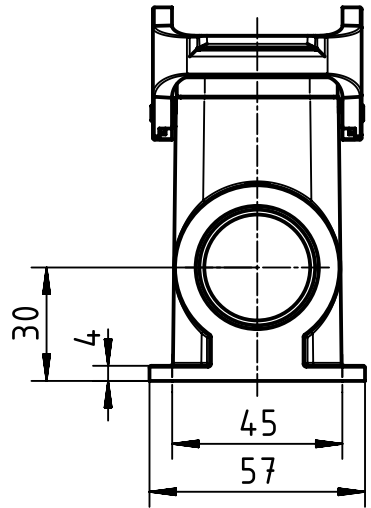
1 2 3 4 5 6

A

B

C

D



	All Dimensions in mm Original Size DIN A4		Scale 1:2	Free size tol.		Ref.
						Sub.
	All rights reserved		Created by FINKEV	Inspected by GERB	Standardisation RUETERA	Date 2020-03-11
	Department EL PD					State Final Release
HARTING Electric GmbH & Co. KG D-32339 Espelkamp			Title Han B Base Surface HC 2 Levers 2 x M32			Doc-Key / ECM-Nr. 100205789/UGD/004/B 500000166179
			Type TB	Number 19 30 024 0272		Rev. B
						Page 1/1