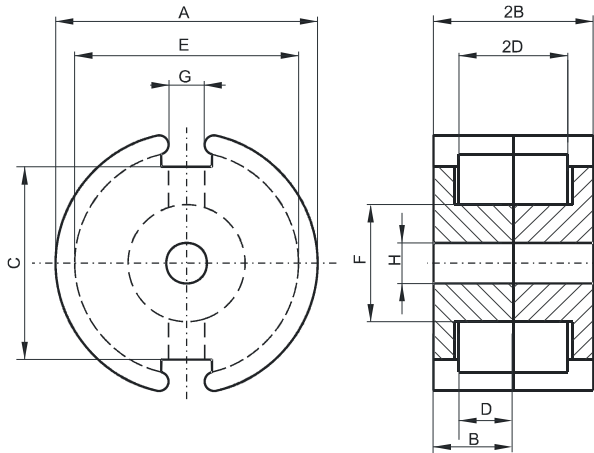


Specification for:

**0P43622UG**

110 Delta Drive  
Pittsburgh, PA 15238  
Phone: 412/696-1333  
Fax: 412/696-0333  
Email: magnetics@spang.com

**DIMENSIONS**



(mm)	Nominal:	Tol. min.:	Tol. max.:
<b>A</b>	35.6	-0.6	+ 0.6
<b>B</b>	10.95	-0.05	+ 0.05
<b>2B</b>	21.9	-0.1	+ 0.1
<b>C</b>	26.2	-0.6	+ 0.6
<b>D</b>	7.3 Min.		
<b>2D</b>	14.6 Min.		
<b>E</b>	30.4	-0.5	+ 0.5
<b>F</b>	15.9	-0.3	+ 0.3
<b>G</b>	4.9	-0.6	+ 0.6
<b>H</b>	5.55	-0.15	+ 0.15
Eff. Parameters			
<b>Ae mm<sup>2</sup></b>	<b>Amin mm<sup>2</sup></b>	<b>le mm</b>	<b>Ve mm<sup>3</sup></b>
202.0	172.0	53.2	10700

**INDUCTANCE**

AL value (nH)	Test conditions
Nom: 9467 Min.: 7100	10 kHz, < 0.5 mT, 25 °C

**MARKING**

0P43622UG PXXXXX
---------------------

**CORE LOSSES**

P <sub>i</sub> max	Test conditions
120 mW/cm <sup>3</sup> (1.28 W/set)	100 kHz, 100 mT, 100 °C

**NOTE**

Spec. modifications	Previous	Revised
2005-06-22	A=35.6±0.51 C=26.8 Nom. F=16.1 Max. H=5.56±0.1 Losses: General P material	A=35.6±0.6 C=26.2±0.6 F=16.2 Max. H=5.55±0.15 Losses: Detail as indicated