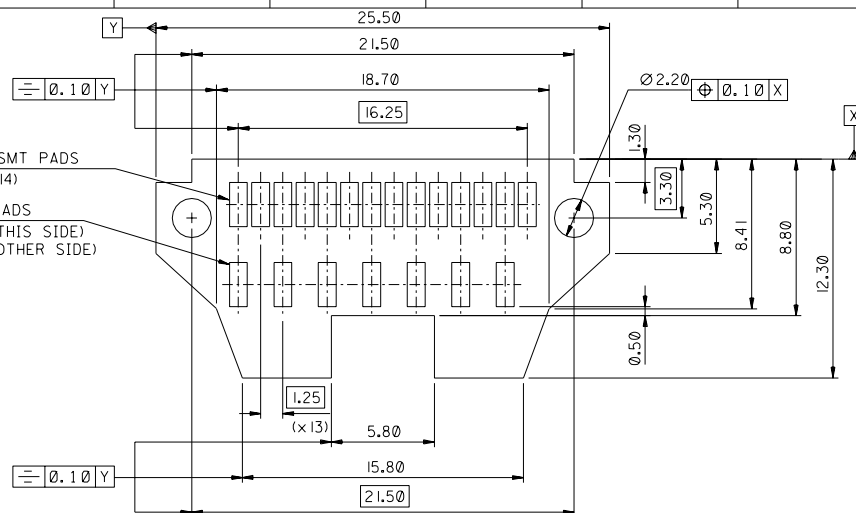
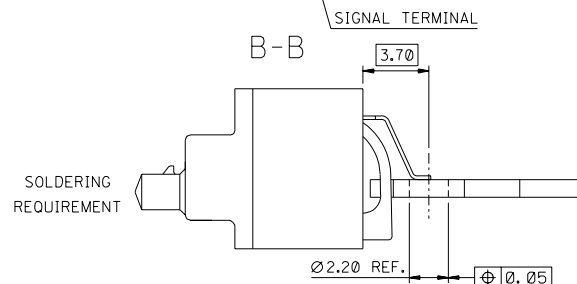
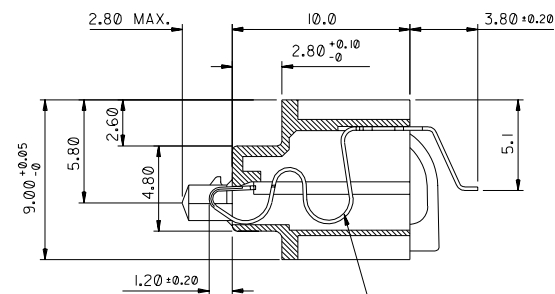
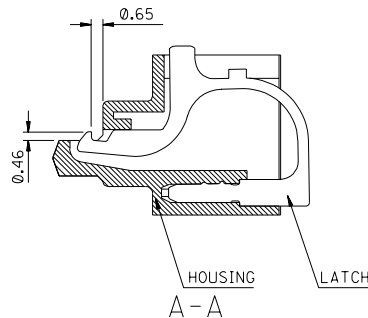


CONNECTOR SMT PADS
1.00x2.50 (x14)

WIRE SOLDER PADS
1.00x2.50 (x7 THIS SIDE)
1.00x2.50 (x7 OTHER SIDE)



RECOMMENDED PCB PATTERN
PCB THICKNESS 1.00±0.10

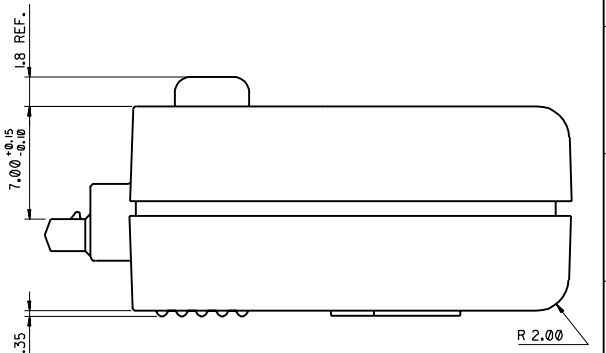
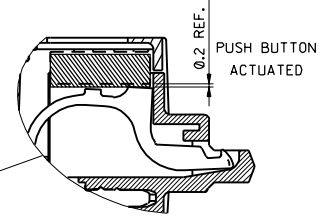
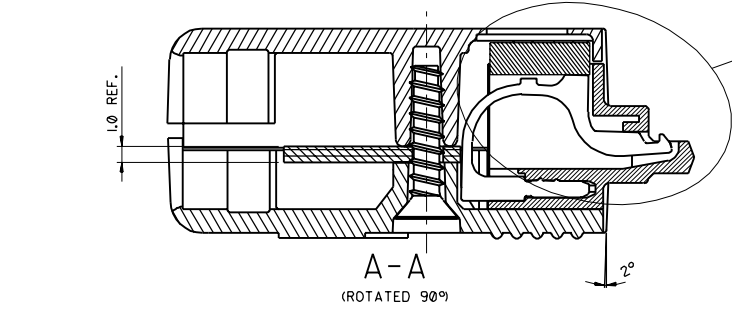
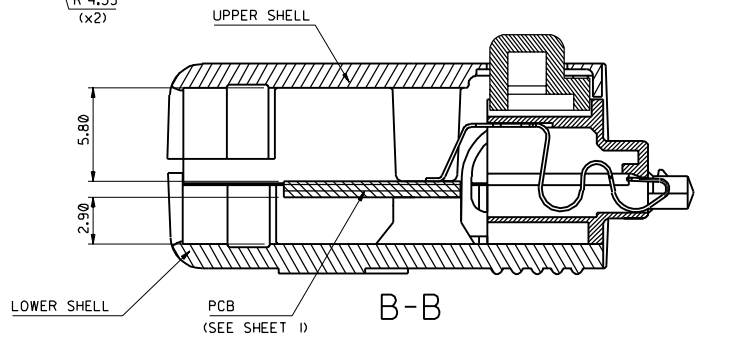
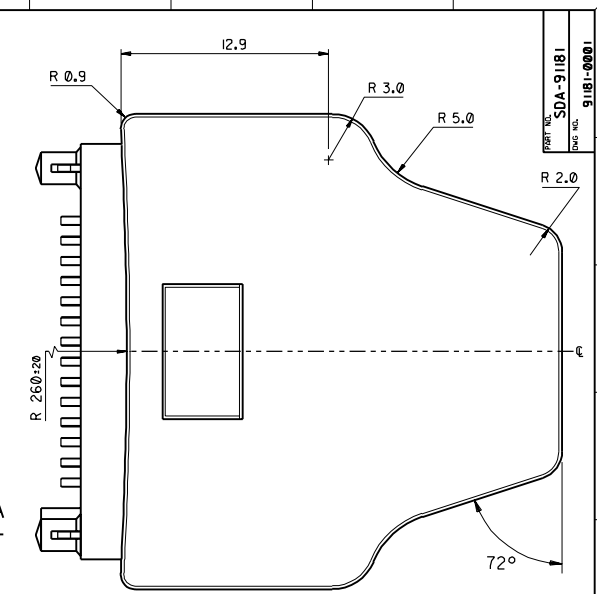
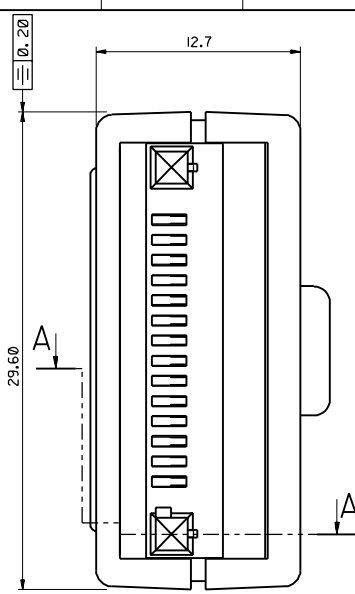
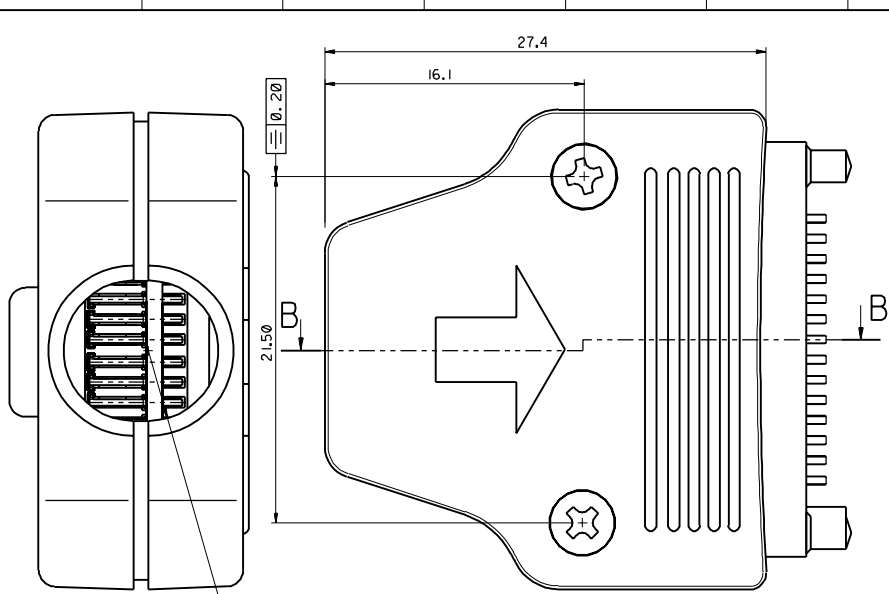


NOTES:

- MATERIALS: HOUSING: G.F. NYLON-46, COLOUR-BLACK.
SIGNAL TERMINALS: Ø.20 REF. THK. PHOSPHOR BRONZE.
PLATING: SOLDER AREA: 2µm MIN. Sn OVER Ni,
CONTACT AREA: GOLD FLASH OVER PdNi OVER Ni.
LATCH: Ø.40 REF. THK. EXTRA HARD 301 STAINLESS STEEL.
- PACKAGING: TRAY.
- SOLDER I.D. RIB RAISED 0.20 ABOVE FLOOR OF WELL, 0.20 MAX DEEP.

REMOVE LEAD EC NO. E20040574 DRW/DCARTON 04/02/26 CHK: / / / APPR: / / /	DESCRIPTION MAJOR CRITICAL C=	QUALITY SYMBOLS	GENERAL TOLERANCES: (UNLESS SPECIFIED)		SCALE 5:1	DESIGN UNITS <input checked="" type="checkbox"/> mm <input type="checkbox"/> INCH	THIRD ANGLE PROJECTION	DIMENSIONS:		SHT	REV
			mm	INCH				mm	INCH		
REV D	REV	DESCRIPTION	4 PLACES	±0.	±.	DRAWN BY & DATE DMCNAMAR 01/08/23	CHECKED BY & DATE BMAGUIRE 01/08/23	TITLE: MOBILE PHONE CONTACT UNIT			
			3 PLACES	±0.	±.						
DRAFT WHERE APPLICABLE MUST REMAIN WITHIN DIMENSIONS			ANGULAR: ± 1/2 °		CAD FILENAME		MATERIAL NO. 91181-5001		DRAWING NO. SDA-91181-		SHEET NO. 1 OF 3
THIS DRAWING CONTAINS INFORMATION THAT IS PROPRIETARY TO MOLEX INCORPORATED AND SHOULD NOT BE USED WITHOUT WRITTEN PERMISSION.							MOLEX INCORPORATED		SIZE C		

PART NO. 91181-5001
DWG NO. SDA-91181



- NOTES:
1. MATERIAL: SHELLS, PC/ABS, COLOUR-BLACK.
 2. FLEXIBLE BUTTON ACTIVATES LATCHES.
 3. SEE SHEET 1 FOR UNSPECIFIED INFORMATION RELATING TO CONTACT UNIT ASSY. 91181-5001.

PART NO. SDA-91181
 DWG NO. 91181-0001

FOR PREVIOUS DRAWING ISSUES SEE MRL.	AB SEE SHEET 1.	DIMENSIONS SHOWN (METRIC) INCH UNLESS OTHERWISE SPECIFIED TOLERANCES ANGULAR ± 0.5°		DRWG BY FPH	REVISE ONLY ON CAD SYSTEM	Shl. REV.
	LTR REVISIONS	1 PLACE ± 0.10	2 PLACE ± 0.10	3 PLACE ± 0.20	TITLE	THIS DRAWING CONTAINS INFORMATION THAT IS PROPRIETARY TO MOLEX INC. & SHOULD NOT BE USED WITHOUT WRITTEN PERMISSION
	DESIGN DIMENSION (PRIMARY) <input type="checkbox"/> IN. <input type="checkbox"/> MM	NOTE: WHERE APPLICABLE MUST REMAIN WITHIN DIMENSIONS			SCALE	MOBILE PHONE PLUG CONNECTOR ASSEMBLY KIT
	EQUIVALENT DIMENSION (SECONDARY) <input type="checkbox"/> IN. <input type="checkbox"/> MM	SCALE	5:1	SCALE	5:1	MOLEX MOBILE PHONE PLUG CONNECTOR ASSEMBLY KIT
		PART NO.	DWG NO.	SIZE		
		91181-0001	SDA-91181	C		