



Specifications

Electrical Ratings	50mA @ 48VDC
Electrical Life	500,000 cycles typical
Contact Resistance	≤50mΩ initial
Actuation Force	200 ± 50gF 260 ± 50gF
Actuator Travel	.45 + 0.20mm / - 0.10mm

Dielectric Strength	250Vrms min
Insulation Resistance	≥100MΩ min
Operating Temperature	-40°C to 85°C
Storage Temperature	-40°C to 85°C
Sealing Degree	IP67
Quantity per reel	4.3mm = 1K pieces per reel 5.0mm = 1K pieces per reel 7.0mm = 700 pieces per reel

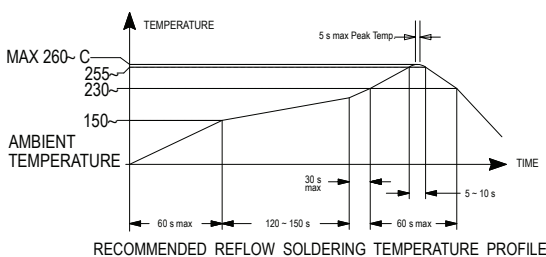
Materials

Actuator	PA6T Nylon
Actuator Cover	Brass, Tin Plated
Switch Housing	PA6T Nylon
Seal	Silicone Rubber
Contacts	Stainless Steel, Silver Plated
Terminals	Copper Alloy, Silver Plated

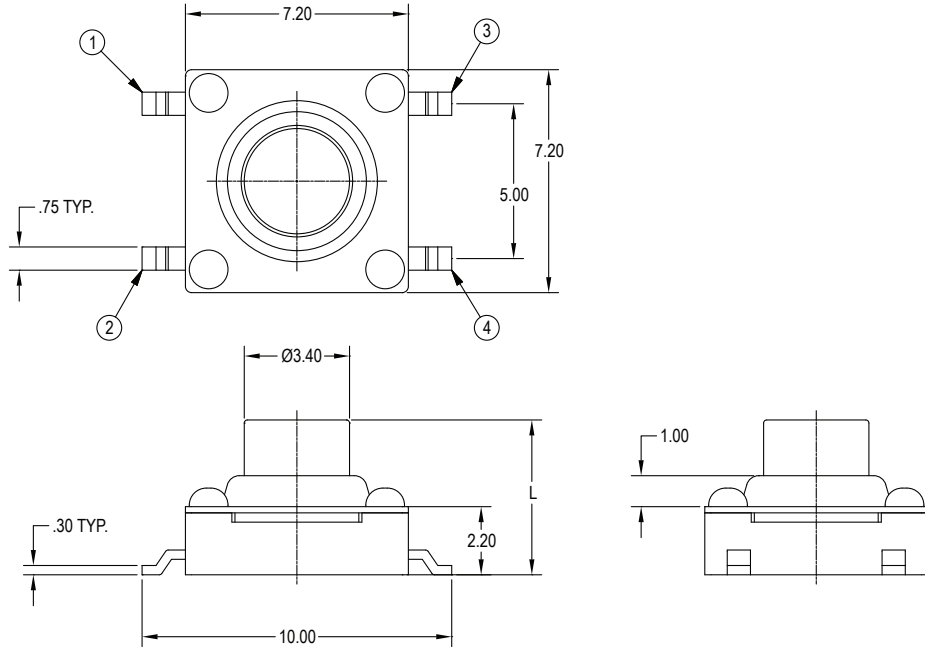
Ordering Information

1. Series	STS	5.0	L	F200	Q	G
STS						
2. Actuator Height						
4.3 = 4.3mm						
5.0 = 5.0mm						
7.0 = 7.0mm						
3. Contact Options						
L = Stainless Steel dome						
4. Actuation Force						
F200 = 200gF						
F260 = 260gF						
5. Contact Material						
Q = Silver Plated						
6. Terminal Options						
G = Gull Wing						

Recommended Reflow Soldering Diagram



Dimensions



Schematic & PC Layout

