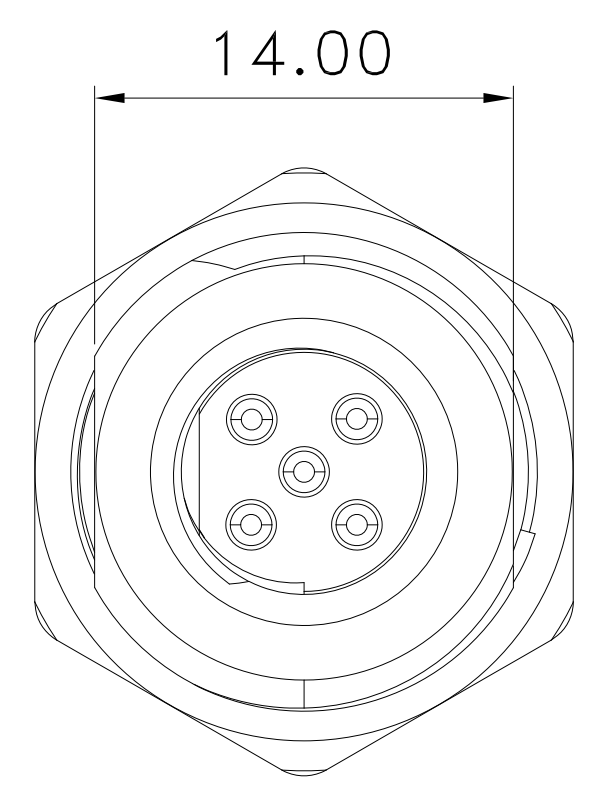
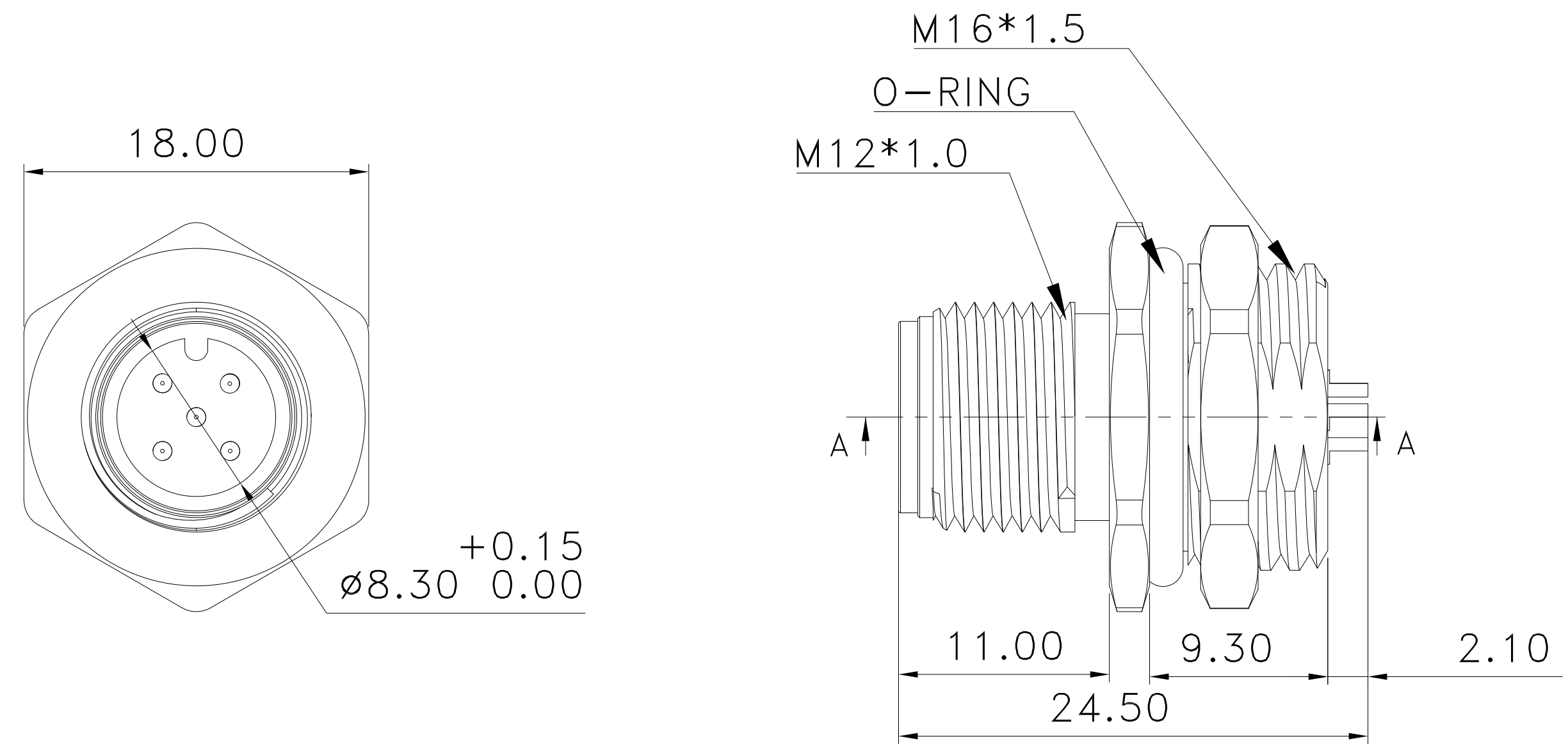
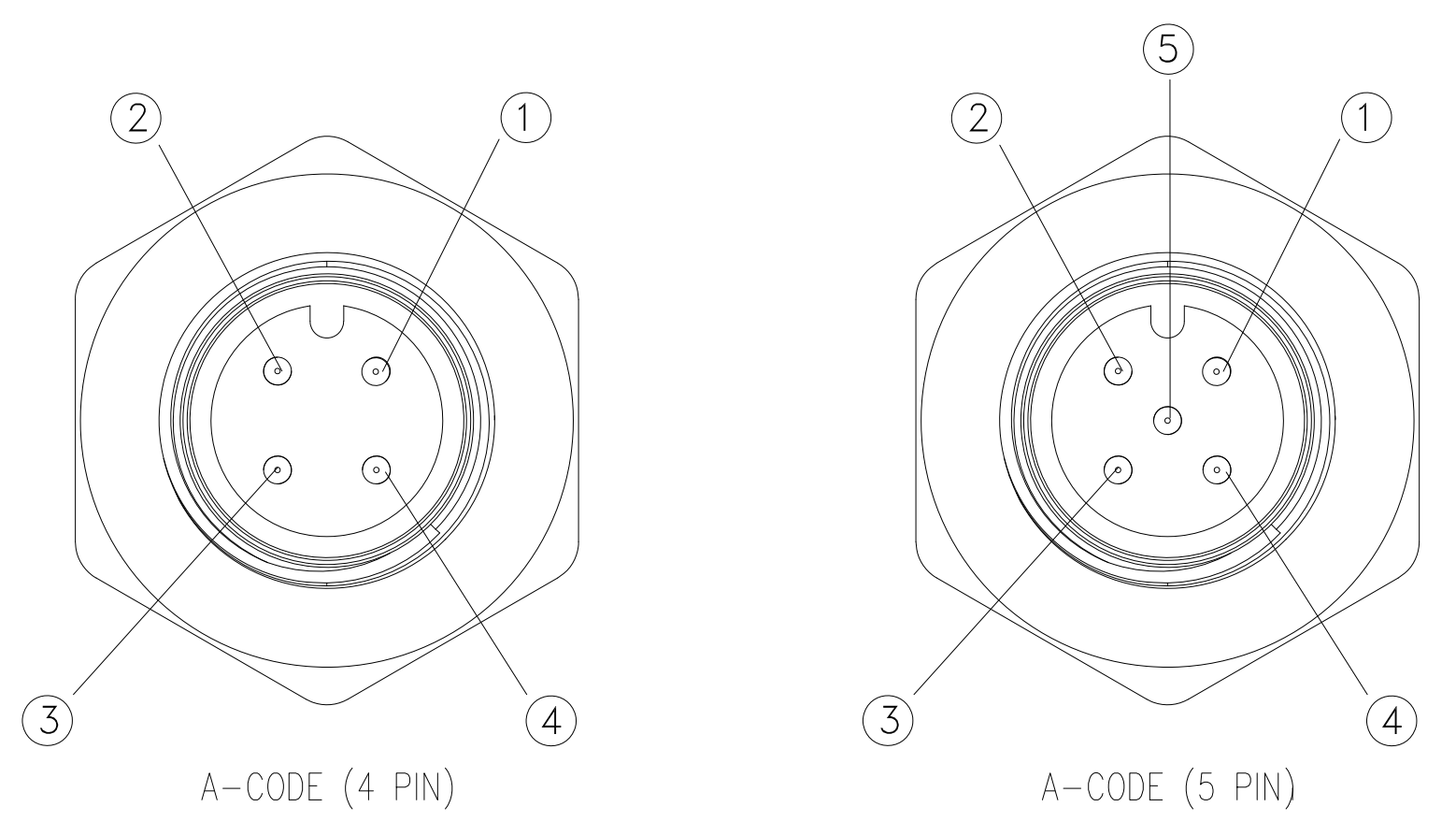
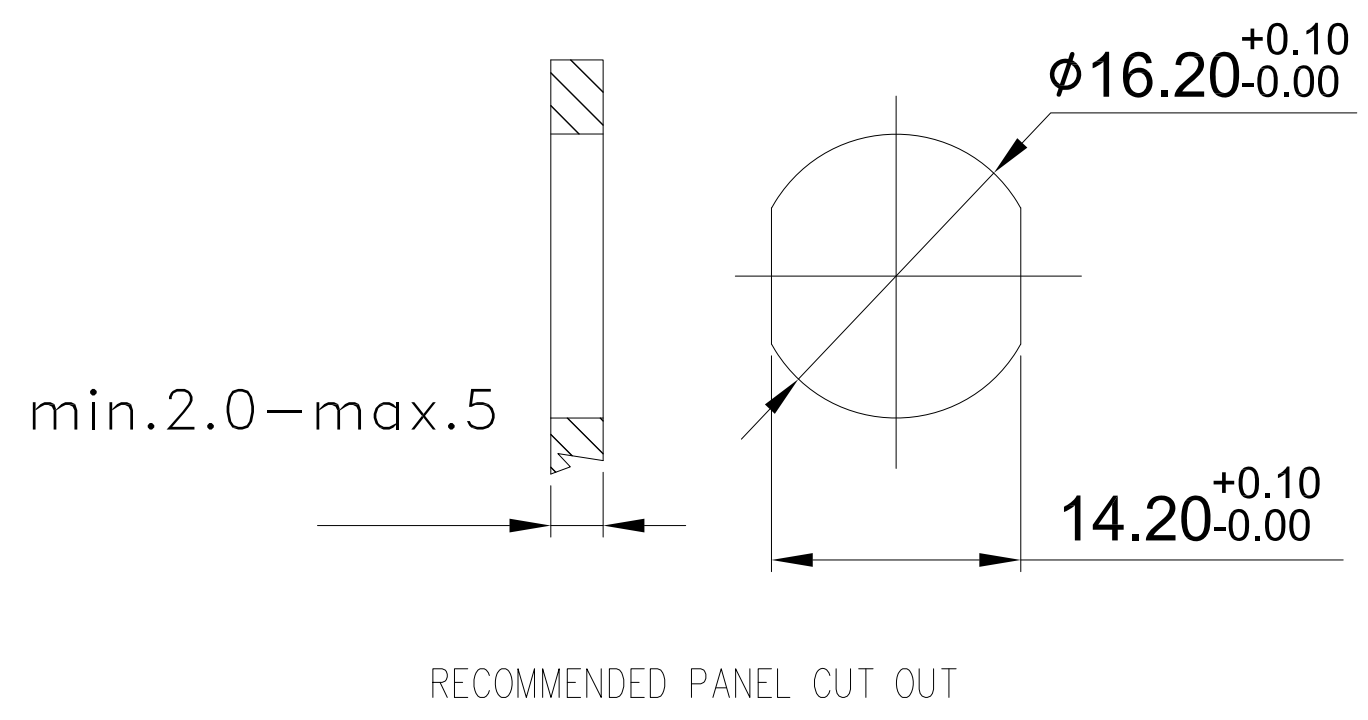
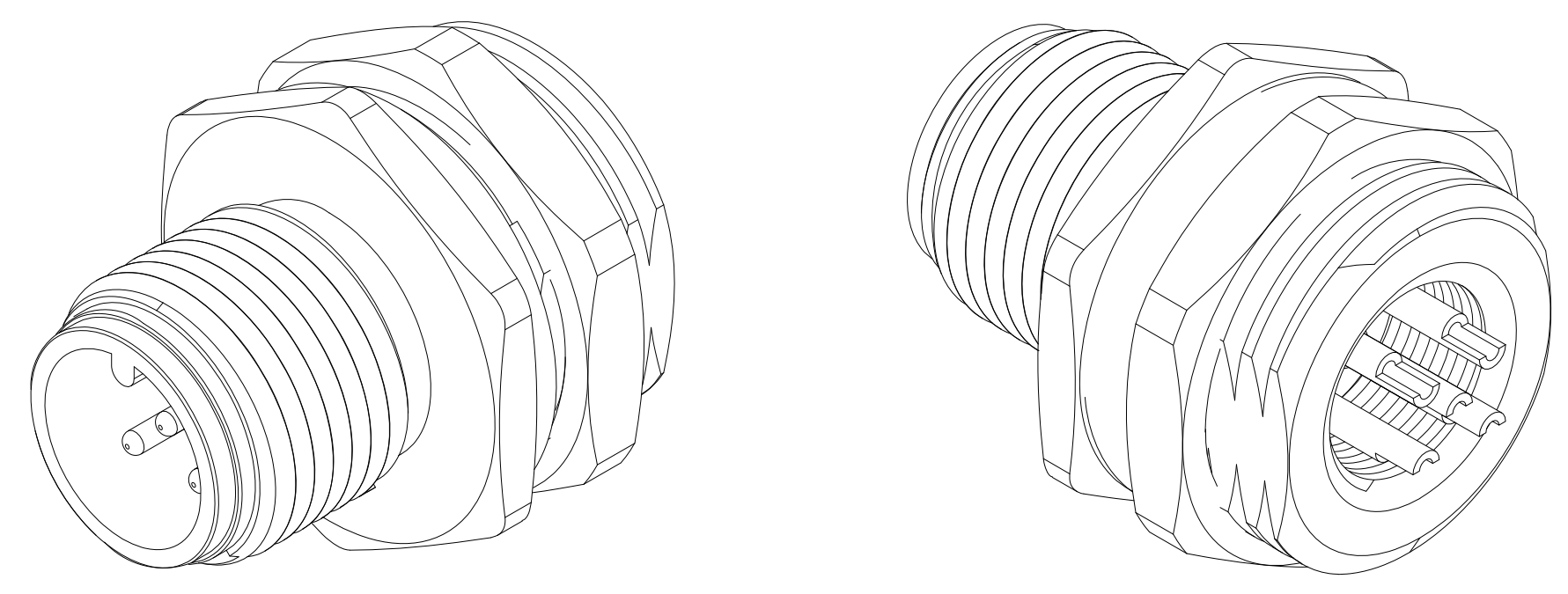
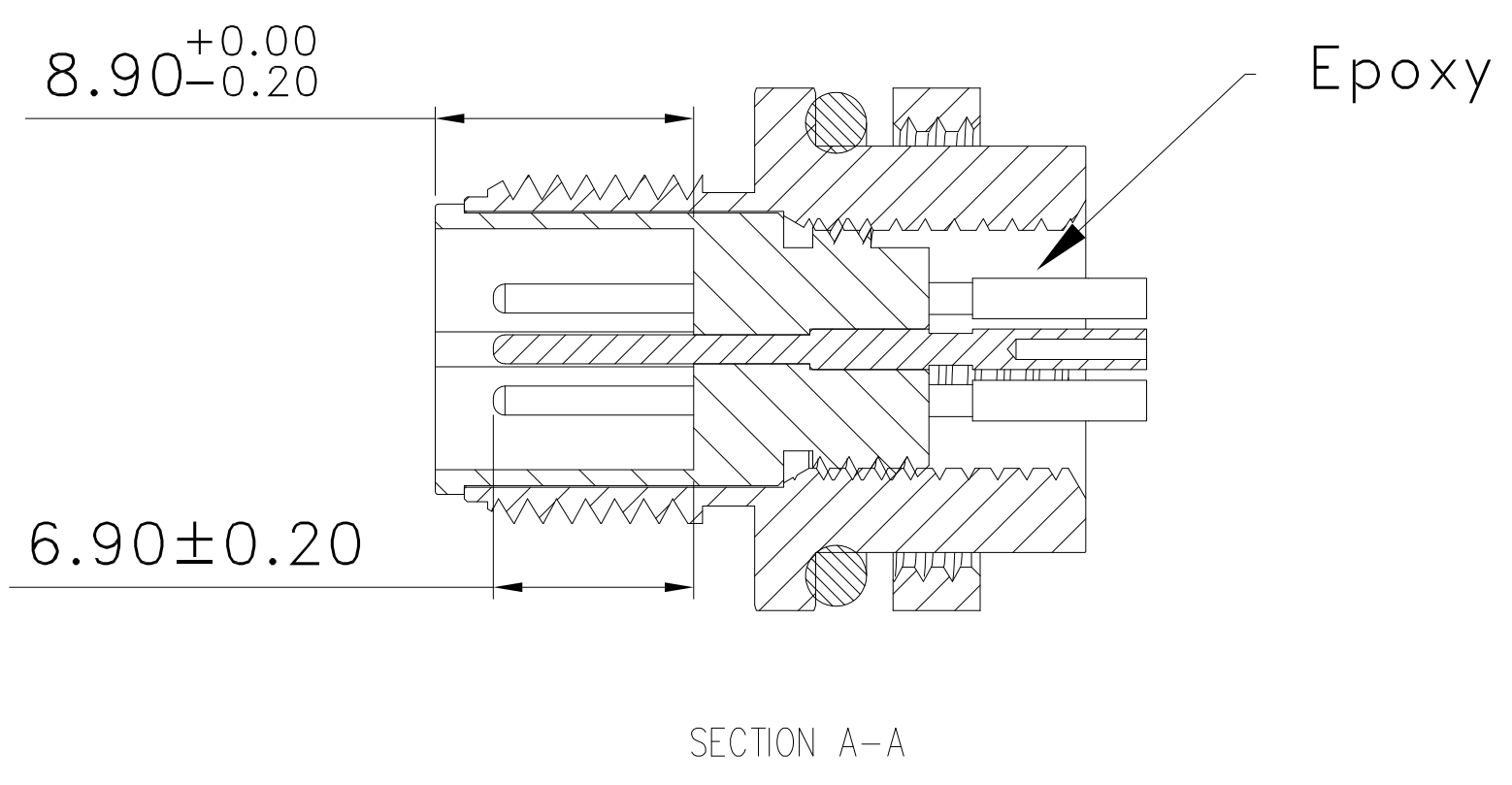


DATE	REV	REVISION CHANGES	ECN	APP'D. BY
09/19/18	A0	AS DRAWN	-	ADB



- NOTES:
- CONNECTOR MATERIALS:
HOUSING: THERMOPLASTIC UL94 V-0
CONTACTS/SHIELD: COPPER ALLOY
O-RING MATERIAL: SILICONE UL94 V-0
EPOXY POTTING COMPOUND IN REAR CAVITY
SHIELD PLATING: NICKEL
CONTACT PLATING: SELECTIVE GOLD (1 μIN) OR EQUIVALENT IN THE CONTACT AREA
 - FOR PRODUCT SPECIFICATIONS SEE PR039-01
 - DIMENSIONS AND TOLERANCES COMPLY WITH IEC 61076-2-101 STANDARD.
 - THE SUGGESTED PANEL OPENING IS INTENDED TO GIVE USER THE ABILITY TO HAVE REASONABLE JACK/PANEL CLEARANCES
 - CODING: A-STANDARD
 - SOLDER CUP CONTACTS ACCOMMODATE 22 AWG WIRE
 - CURRENT RATING: 4 AMPS MAX
 - INSULATION RESISTANCE: 100 MOHMS MIN @ 500 VDC
 - DEGREE OF PROTECTION: IP67
 - TEMPERATURE RANGE: -20°C TO +85°C
 - MATING CYCLES: 100 INSERTIONS



5	SS-12000-002
4	SS-12000-001
NUMBER OF CONTACTS	PART NUMBER

THIRD ANGLE PROJECTION

DO NOT SCALE DRAWING
DRAWING IS SUBJECT TO CHANGE WITHOUT NOTICE

DIMENSIONS: METRIC
UNLESS OTHERWISE SPECIFIED TOLERANCES ARE ±0.13 (0.005) ANGLES ARE ±1°

SHEET NO. 1 OF 1

RoHS

11118 Susquehanna Trail South
Glen Rock, PA 17327-9199
(717) 235-7512
<http://www.stewartconnector.com>

stewart connector a bel group

TITLE: Front Panel Mount Receptacle, M12 A-Code, Male

DRN BY: BTS DATE: 08/23/18
APP'D BY: ADB DATE: 09/19/18

DWG NO. CT120001 REV. A0