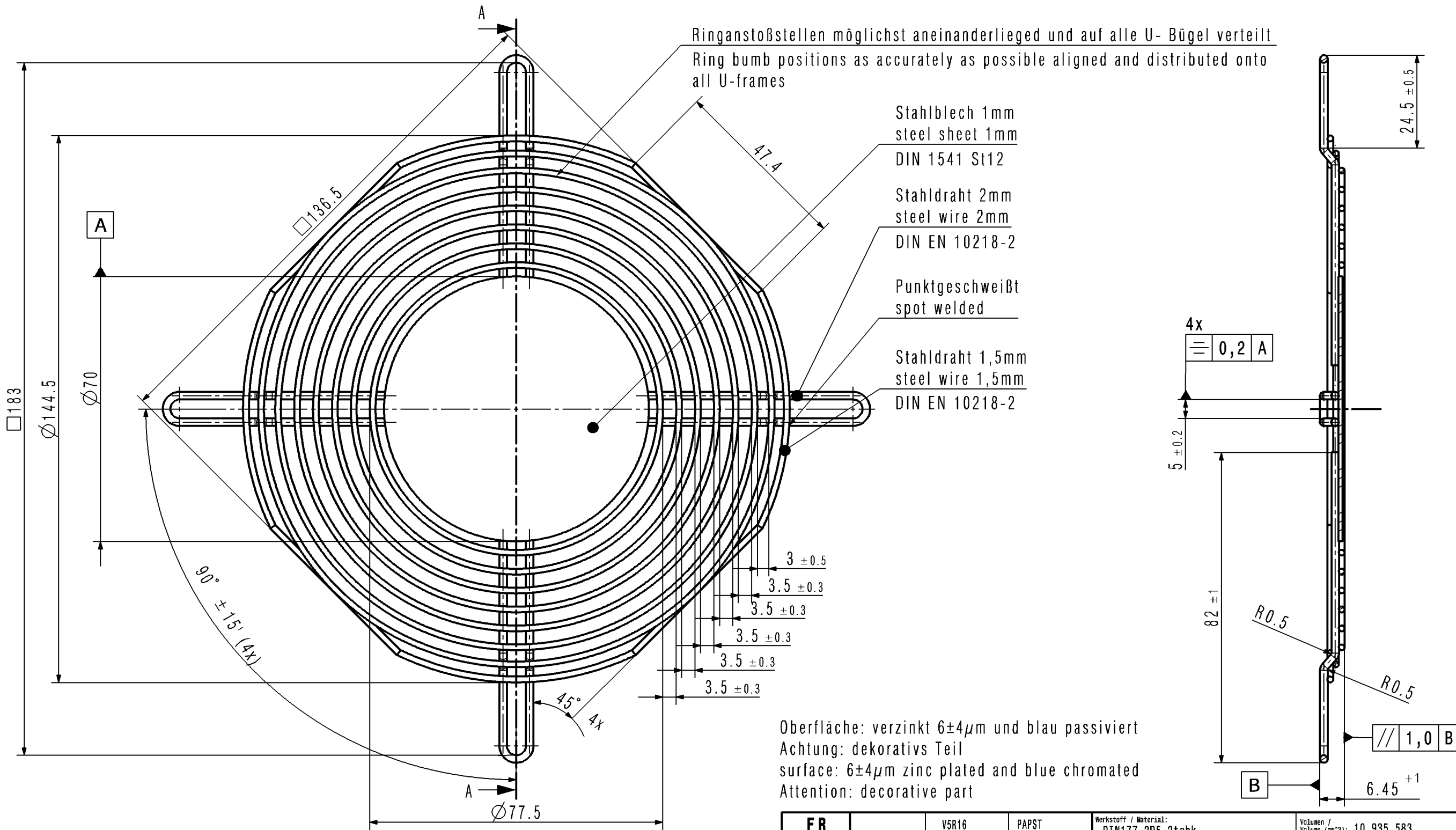


Copying of this document, and giving it others and the use or communication of the contents thereof, are forbidden without express authority. Offenders are liable to the payment of damages. All rights are reserved in the event of the grant of a patent or the registration of a utility model or design.

Schutzmerk nach DIN ISO 16016 beachten!
Refer to protection notice DIN ISO 16016!



Oberfläche: verzinkt $6 \pm 4 \mu\text{m}$ und blau passiviert
Achtung: dekorativs Teil
surface: $6 \pm 4 \mu\text{m}$ zinc plated and blue chromated
Attention: decorative part

FR	V5R16	PAPST	Werkstoff / Material: DIN177-2D5-2trbk		Volumen / Volume (mm ³): 10.935,583
SAP-Status/State	Änd.-Nr. / Change-No.	CATIA-System-Version/ CATIA-System-Version	CAD-Umgebung/ CAD-Environment	WerkstoffNr.: 1.0288	Gewicht / Mass (g):
 Tolerierung / Tolerances: DIN7167 Allgemeintoleranzen / Gen. Tolerances: DINISO2768-mK-E	Datum		Name		
	Bearb. / Drawn	15.12.2008	ZIEBOLL		
	Gepr. / Checked	18.12.2008	SEIDLER		
	Freig. / Releas.	18.12.2008	SEIDLER		
			Zchg.-Nr. / Drawing No:		Ers.f.Zchg. / Replaces:
			9920053000		
Dokumenttyp / Type of Document		Teildokument (Blatt/Page)	Index / Index	Format / Size:	Maßstab/Scale
ebm-papst St. Georgen GmbH & Co KG		C2D	001	-	A3 1:1