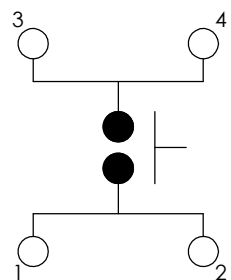
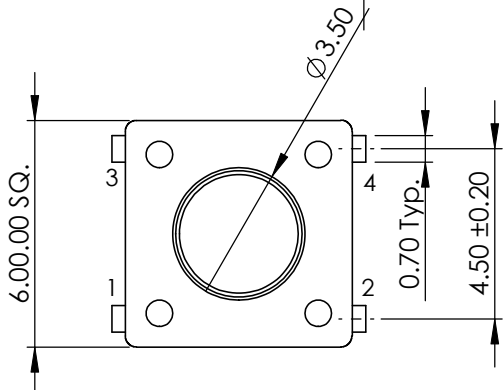


RECOMMENDED MOUNTING PAD

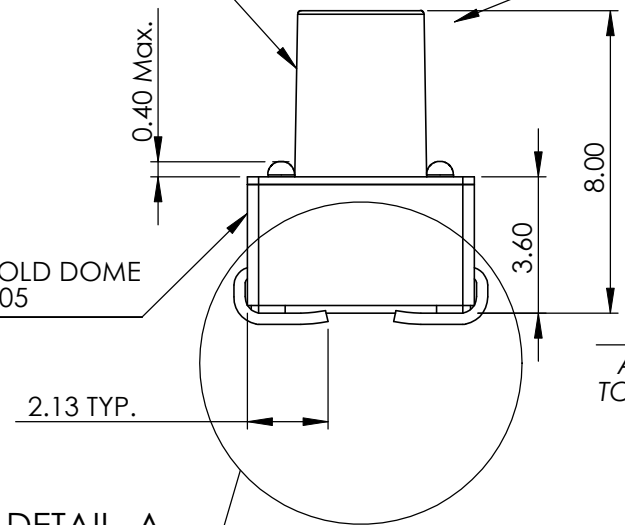


CIRCUIT : SPST



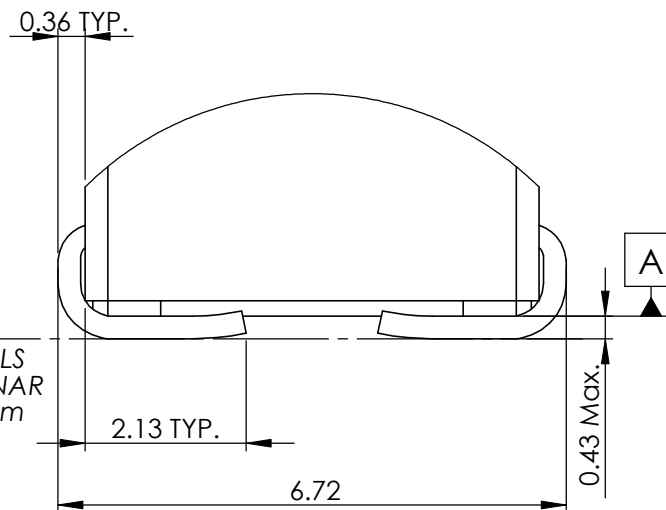
TAPER 1°

USE GOLD DOME D990005

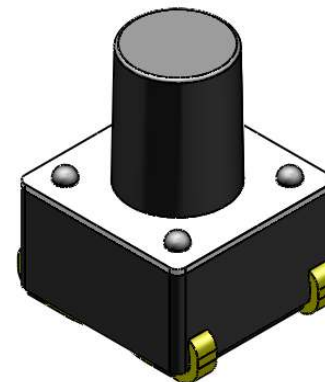


DETAIL A

ALL TERMINALS TO BE COPLANAR WITHIN 0.1mm



DETAIL A Scale 10:1



ISOMETRIC

FLUSH WITH SURFACE A TO BELOW

NOTES:

1. ALL DIMENSIONS IN MM
2. GENERAL TOLERANCE : X.X= ±0.4
X.XX= ±0.25
3. TERM. NOS. FOR REFERENCE ONLY.
4. RATING : 12VDC, 50mA
- ▲ 5. BODY & STEM : PPS RYTON R-4
ACTUATOR COLOR : BLACK
BODY : BROWN
6. OPERATING FORCE : 160 ±50 gf
7. TRAVEL : 0.25mm ±0.1mm
8. CONTACT RESISTANCE : 100 MILLI OHMS MAX. (INITIAL)
9. CONTACT MATERIAL : GOLD
10. PACKAGED : TAPE & REEL, 700 PIECES PER REEL
11. 2002/95/EC (ROHS) COMPLIANT
12. ▲ DESIGNATE MAJOR FEATURE
13. REEL WIDTH : 16.0mm

TITLE TL3301CF160RJ DWG. NO. J100590

THIS DRAWING CONTAINS INFORMATION THAT IS PROPRIET TO JAE SANG ELECTRONICS CO.,LTD. AND SHOULD NOT BE USED WITHOUT WRITTEN PERMISSION.



Tact Switch Specialized Manufacturing Company
www.jsswitch.co.kr

DATE 10/5/2012

MODEL JST-1105SJC-2G

A4