

ELECTRICAL:

EMI SHIELDING : SHIELDED FOR THE RANGE 55dB UP TO 100MHZ
 INSULATION RESISTANCE : >500MΩ PER ANSI-EIA-364-D METHOD 21
 MAX. CURRENT RATING : SEE INSULATOR DRAWING
 CONNECTOR TESTING VOLTAGE : SEE INSULATOR DRAWING
 CONNECTOR WORKING VOLTAGE : SEE INSULATOR DRAWING

PHYSICAL:

MAXIMUM WIRE SIZE USED : SEE INSULATOR DRAWING
 CABLE DIAMETER WITH PLASTIC COLLET SET SUPPLIED: Ø3.5mm MIN. TO Ø9.7mm MAX.

ENVIRONMENTAL:

ENDURANCE: 1000 CYCLES AS PER MIL-STD 1344A, METHOD 2016.1
 SHOCK: 50 g , DURATION 6 ms; AS PER MIL-STD 1344A, METHOD 2004.1
 VIBRATIONS: 10 TO 2000Hz g = 15g, AS PER MIL-STD 1344A, METHOD 2005.1
 PROTECTION INDEX: IP 67 AS PER CEI 529
 ROHS COMPLIANT
 SALT MIST : 48Hr PER SAE AS 1344 METHOD 1001.1 CEI 529
 OPERATING TEMPERATURE:
 WITH PLASTIC COLLETS: -40°C TO +80°C (-40°F TO +176°F)

| MASS (g) | VOLUME (mm ³) |
|----------|---------------------------|
| 25.4 | 4652 |

NOTES:

1 RED DOT.

MATERIAL:

OUTER SHELL & BACK NUT : } BRASS
 LATCHING SLEEVE }
 HALF BUSHES : }

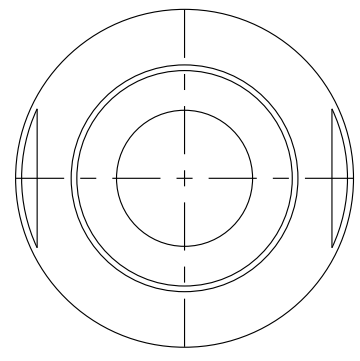
COLLET : RUBBER

FINISH:

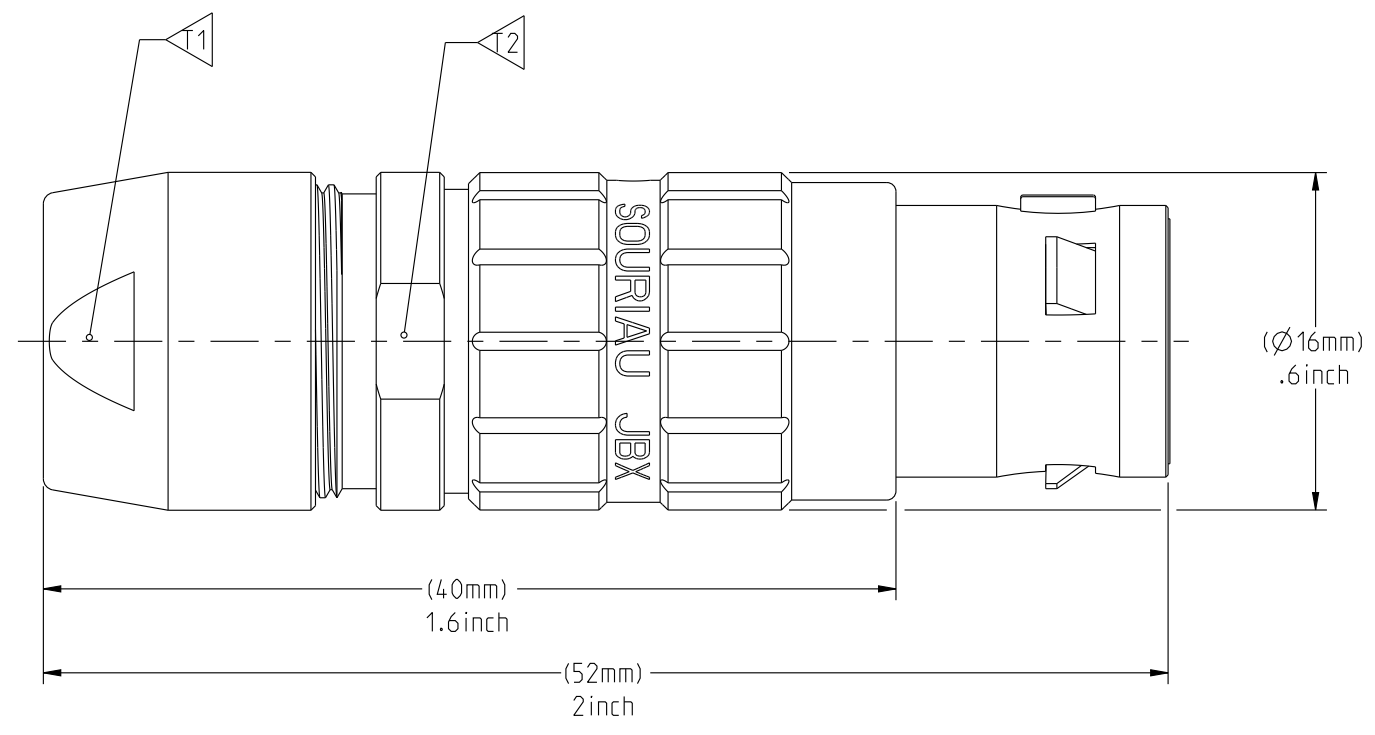
OUTER SHELL & BACK NUT : CHROME

OTHER BRASS PARTS : NICKEL

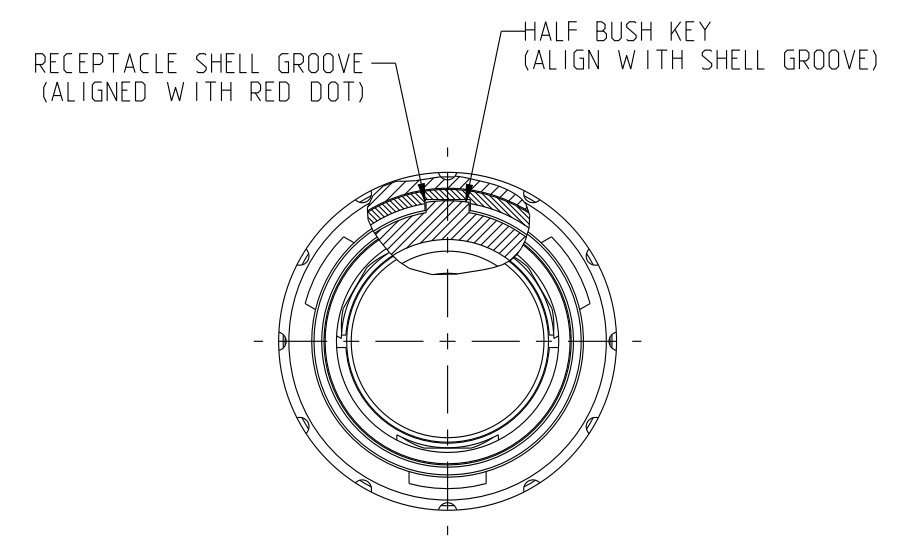
T TOOLS



WIRE SIDE VIEW

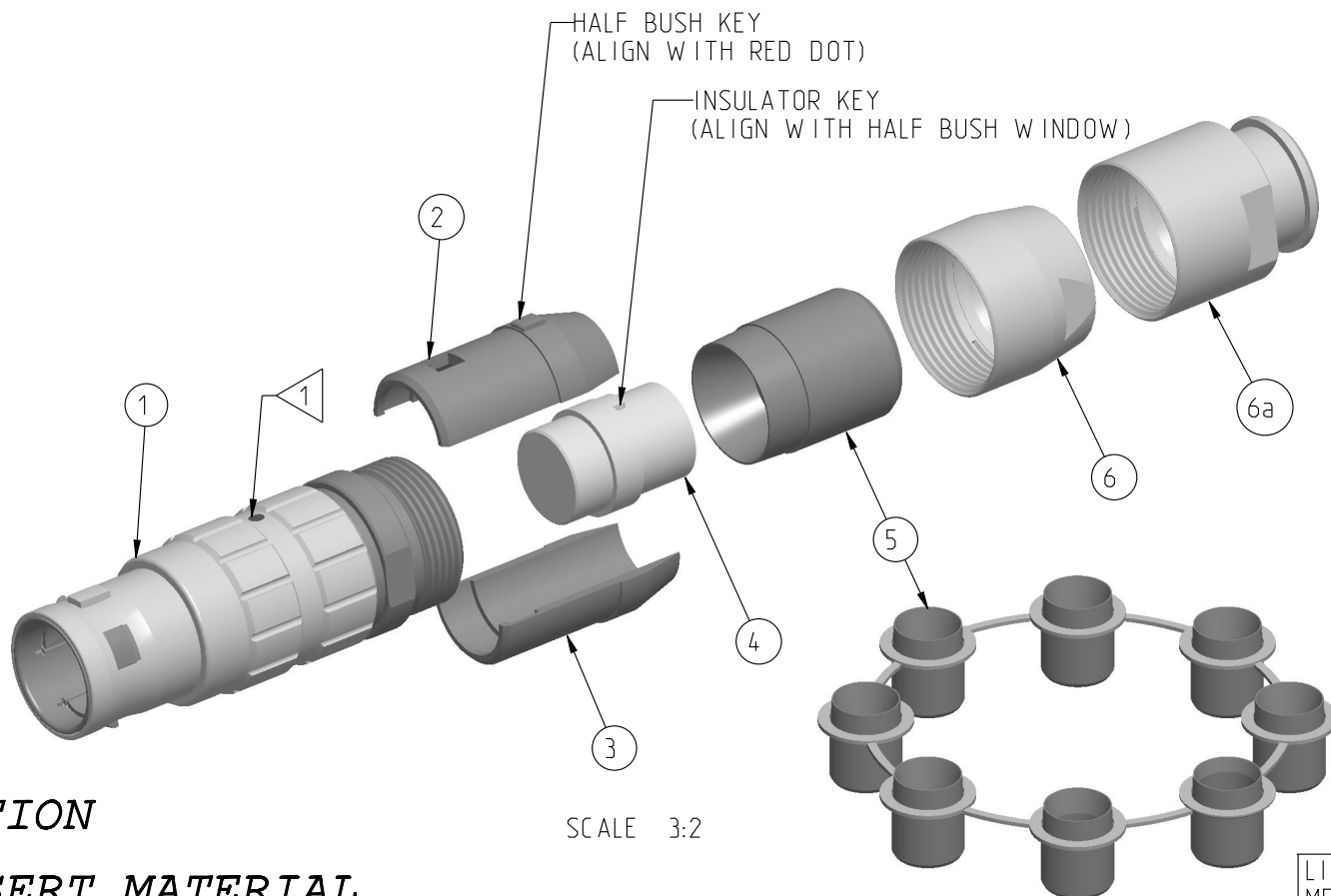


(ASSEMBLED VIEW FOR INFORMATION ONLY)



MATING SIDE VIEW

| PART LIST | |
|-----------|--|
| ITEM NO. | DESCRIPTION |
| 1 | SLEEVE |
| 2 | HALF BUSH WITH WINDOW |
| 3 | HALF BUSH WITHOUT WINDOW |
| 4 | INSULATOR |
| 5 | Ø3.5-Ø9.7 CABLE COLLET (CHOOSE PER CABLE SIZE) |
| 6 | STANDARD BACK NUT |
| 6a | BACK NUT FOR PROTECTIVE BOOT (OPTIONAL) |



SCALE 3:2

COLLET SET SCALE 4:5

| | TOOLS (JAW DIMENSION) | ADVISED TORQUE IN Nm |
|----|-----------------------|----------------------|
| T1 | 13 | 1.5 |
| T2 | 14 | - |

CATALOG NUMBER DESCRIPTION

JBX FH 2 XXXXXDXX

BASIC SERIES

SHELL TYPE

SHELL SIZE

KEYING

SEE INSULATOR DRAWING

OPTION

INSERT MATERIAL

COLLET OPTION

SURFACE PLATING

| ORIGIN | COUNTRY | JURISDICTION | CLASSIFICATION |
|--------|---------|--------------|----------------|
| X | FR | Not listed | N/A |
| | US | EAR | ECCN =EAR99 |

These commodities, technology or software are exported from the United States in accordance with the Export Administration Regulations. Diversion contrary to U.S. law is prohibited.

| | |
|---------------------------------------|--------------|
| LINEAR MEASURE: | mm (INCH) |
| THIRD ANGLE PROJECTION | |
| TOLERANCES UNLESS OTHERWISE SPECIFIED | |
| No. OF PLACES | mm [INCH] |
| WHOLE No. | ±0.5 [±.02] |
| ONE PLACE | ±0.2 [±.008] |
| TWO PLACES | ±0.1 [±.004] |
| ANGLES ±1° | |

| | | | |
|-----|------------------------|---------|-----------|
| A | RELEASED PER ECN 12280 | TJS | EV |
| REV | DESCRIPTION | BY DATE | CHKD DATE |

DRAWING TITLE: **JBX, SIZE 2, SEALED STRAIGHT PLUG**

CAT NO.: **JBXFH2**

CAGE NO.: 09922 SIZE: C

CUSTOMER: **SOURIAU**

www.souriau.com

INTERPRET THIS DRAWING IN ACCORDANCE WITH ASME Y14.5M - 1994.

APPROVAL: DRAWN: TJS 05-08-15, CHKD: EV 05-08-15, DSGN: EV 05-08-15, MFG: DH 05-08-15, QC: BB 05-08-15

DRAWING SCALE: 4:1

DRAWING NO.: **JBXFH2C** REV: **A**

1 OF 1

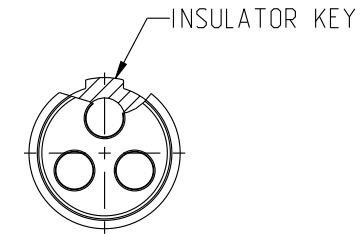
THIS DRAWING IS A CONTROLLED DOCUMENT FOR SOURIAU USA, INC. IT IS SUBJECT TO CHANGE WITHOUT NOTIFICATION. CONTACT THE DOCUMENT CONTROL CENTER FOR THE LATEST REVISION.

THE INFORMATION CONTAINED IN THIS DRAWING IS CONFIDENTIAL AND MAY NOT BE DISCLOSED WITHOUT WRITTEN CONSENT FROM SOURIAU USA, INC.

DWG. NO.
JBX2INSFSC

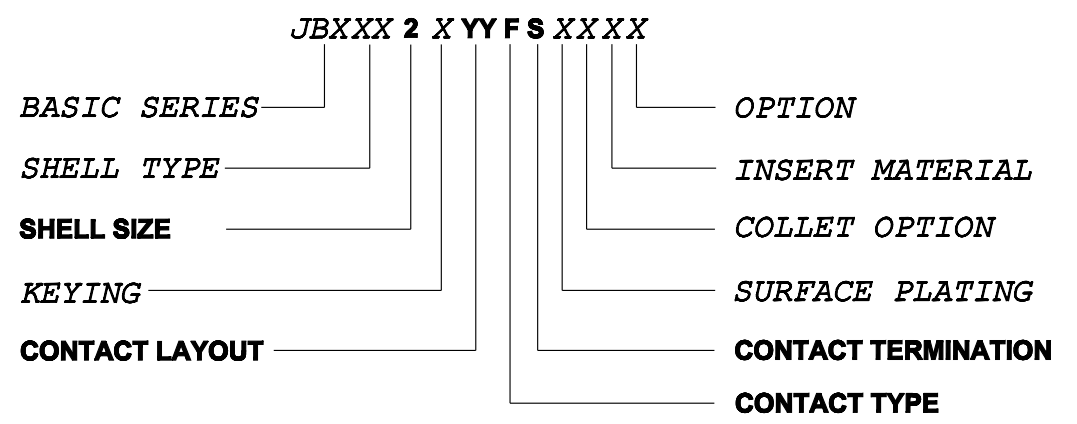
FEMALE INSULATOR, SOLDER CONTACT

| CONTACT LAYOUT | 02 | 03 | 04 | 05 |
|----------------------------|-------------------------|---------|----------|---------|
| FRONT SIDE VIEW | | | | |
| REAR SIDE VIEW | | | | |
| CONTACT | | | | |
| ISO VIEW | | | | |
| CONTACT | ØC | 2 | 1.6 | 1.3 |
| | ØF | 1.9 | 1.5 | 1.1 |
| | MAX. AWG | 16 | 18 | 20 |
| | MAX. CURRENT RATING (A) | 30 | 17 | 15 |
| INSULATOR | CONTACT RESISTANCE (mΩ) | 2.5 | 2.5 | 3 |
| | NUMBER OF CAVITY | 2 | 3 | 4 |
| | MAX. CURRENT RATING | 30 | 17 | 15 |
| | TEST VOLTAGE (Vrms) | 2100 | 1700 | 2400 |
| WORKING VOLTAGE (Vdc/Vrms) | 1000/700 | 830/560 | 1000/700 | 900/630 |



CONTACT TYPE : F (FEMALE)
CONTACT TERMINATION : S (SOLDER)
MATERIAL :
 CONTACT: CUPRO-NICKEL
 CLIP: COPPER ALLOY
 INSULATOR: PEEK
FINISH :
 CONTACTS : GOLD

CATALOG NUMBER DESCRIPTION



THIS DRAWING IS A CONTROLLED DOCUMENT FOR SOURIAU USA, INC. IT IS SUBJECT TO CHANGE WITHOUT NOTIFICATION. CONTACT THE DOCUMENT CONTROL CENTER FOR THE LATEST REVISION.

THE INFORMATION CONTAINED IN THIS DRAWING IS CONFIDENTIAL AND MAY NOT BE DISCLOSED WITHOUT WRITTEN CONSENT FROM SOURIAU USA, INC.

CONTACT

INSULATOR

B

A

| | | | |
|-----|------------------------|-----------------|----------------|
| B | REVISED PER ECN 12286 | RSK 06-10-15 | EV 06-10-15 |
| A | RELEASED PER ECN 12264 | TJS 03-10-15 | EV 03-10-15 |
| REV | DESCRIPTION | BY DATE | CHKD DATE |

DRAWING TITLE
JBX, SIZE 2, FEMALE INSULATOR, SOLDER CONTACT

CAT NO. **JBX2INSFS**

CAGE NO: 09922 SIZE: B

| | | | | |
|---|------------------------|----------|-------------------|----------|
| CUSTOMER | SOURIAU | APPROVAL | DRAWN: TJS | 02-04-15 |
| | | | CHKD : EV | 02-04-15 |
| INTERPRET THIS DRAWING IN ACCORDANCE WITH ASME Y14.5M - 1994. | WWW.SOURIAU.COM | | DSGN : EV | 02-04-15 |
| | | | MFG : DH | 02-04-15 |
| | | | QC : BB | 02-04-15 |
| | | | DRAWING SCALE: NA | |
| | | | DRAWING NO. | REV |
| | | | JBX2INSFSC | B |
| | | | 1 OF 3 | |

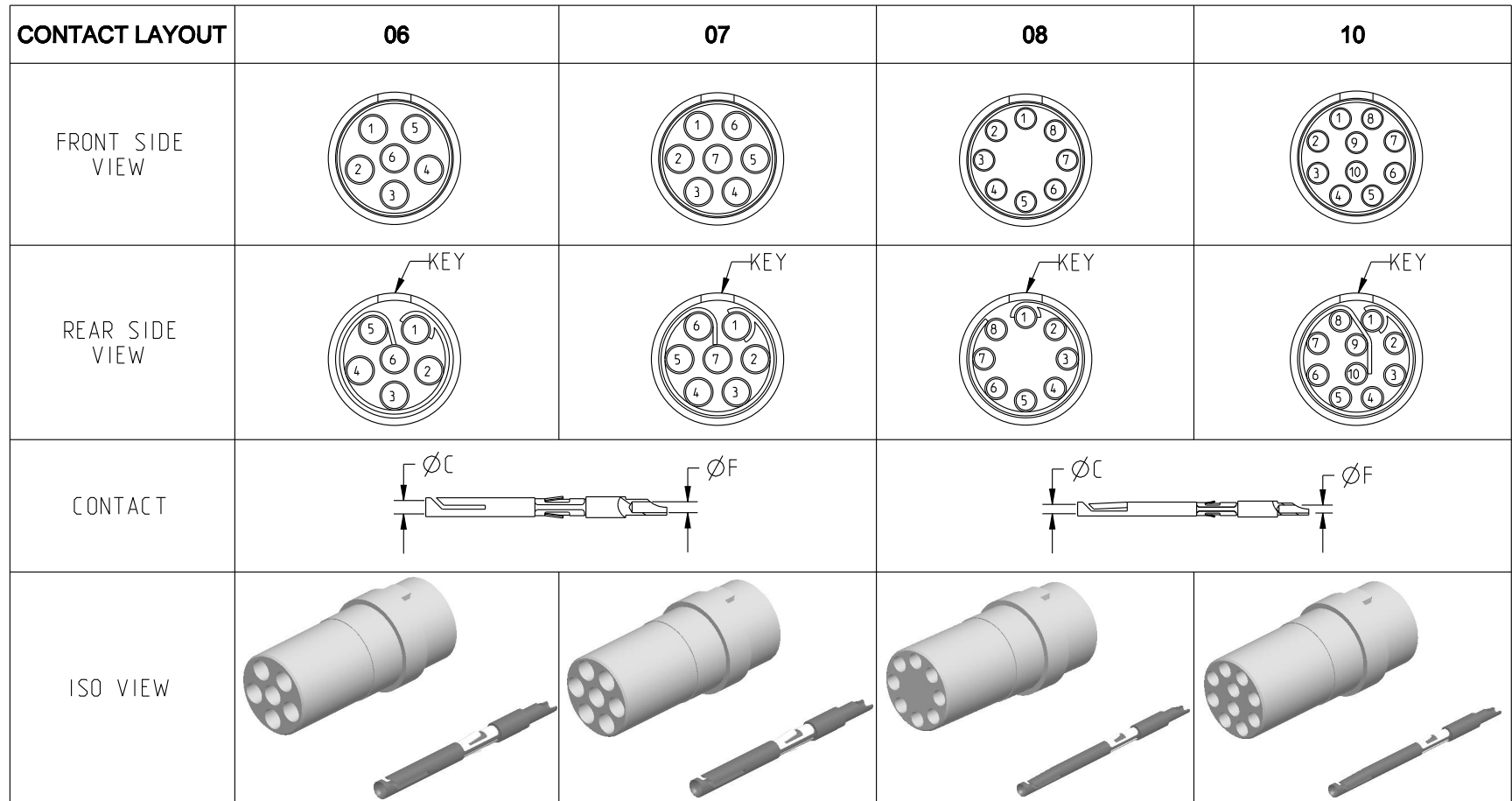
| ORIGIN | COUNTRY | JURISDICTION | CLASSIFICATION |
|--------|---------|--------------|----------------|
| X | FR | Not listed | N/A |
| | US | EAR | ECCN =EAR99 |

These commodities, technology or software are exported from the United States in accordance with the Export Administration Regulations. Diversion contrary to U.S. law is prohibited.

LINEAR MEASURE: $\frac{mm}{INCH}$ mm (INCH)
 THIRD ANGLE PROJECTION

 TOLERANCES UNLESS OTHERWISE SPECIFIED
 No. OF PLACES mm [INCH]
 ONE PLACE ±3 [±.1]
 TWO PLACES ±0.5 [±.02]
 THREE PLACES ±0.25 [±.010]
 ANGLES ±1°

DWG. NO.
JBX2INSFSC



| | | | | | |
|----------------------------|-------------------------|---------|---------|---------|------|
| CONTACT | ØC | 1.3 | 1.3 | 0.9 | 0.9 |
| | ØF | 1.1 | 1.1 | 0.8 | 0.8 |
| | MAX. AWG | 20 | 20 | 24 | 24 |
| | MAX. CURRENT RATING (A) | 15 | 15 | 10 | 10 |
| INSULATOR | CONTACT RESISTANCE (mΩ) | 3 | 3 | 3.5 | 3.5 |
| | NUMBER OF CAVITY | 6 | 7 | 8 | 10 |
| | MAX. CURRENT RATING | 12 | 11 | 10 | 8 |
| | TEST VOLTAGE (Vrms) | 1900 | 1500 | 1700 | 1700 |
| WORKING VOLTAGE (Vdc/Vrms) | 900/630 | 730/500 | 830/560 | 830/560 | |

DRAWING TITLE
JBX, SIZE 2, FEMALE INSULATOR, SOLDER CONTACT

CAT NO. **JBX2INSFS**

CAGE NO: 09922 SIZE: B

| | | | | |
|---|------------------------|----------|-------------------|----------|
| CUSTOMER | SOURIAU | APPROVAL | DRAWN: TJS | 02-04-15 |
| | | | CHKD : EV | 02-04-15 |
| INTERPRET THIS DRAWING IN ACCORDANCE WITH ASME Y14.5M - 1994. | WWW.SOURIAU.COM | | DSGN : EV | 02-04-15 |
| | | | MFG : DH | 02-04-15 |
| | | | QC : BB | 02-04-15 |
| | | | DRAWING SCALE: NA | |
| | | | DRAWING NO. | REV |
| | | | JBX2INSFSC | B |
| | | | 2 OF 3 | |

THIS DRAWING IS A CONTROLLED DOCUMENT FOR SOURIAU USA, INC. IT IS SUBJECT TO CHANGE WITHOUT NOTIFICATION. CONTACT THE DOCUMENT CONTROL CENTER FOR THE LATEST REVISION.

THE INFORMATION CONTAINED IN THIS DRAWING IS CONFIDENTIAL AND MAY NOT BE DISCLOSED WITHOUT WRITTEN CONSENT FROM SOURIAU USA, INC.

| ORIGIN | COUNTRY | JURISDICTION | CLASSIFICATION |
|--------|---------|--------------|----------------|
| X | FR | Not listed | N/A |
| | US | EAR | ECCN =EAR99 |

These commodities, technology or software are exported from the United States in accordance with the Export Administration Regulations. Diversion contrary to U.S. law is prohibited

LINEAR MEASURE: $\frac{mm}{INCH}$ mm (INCH)

THIRD ANGLE PROJECTION

TOLERANCES UNLESS OTHERWISE SPECIFIED

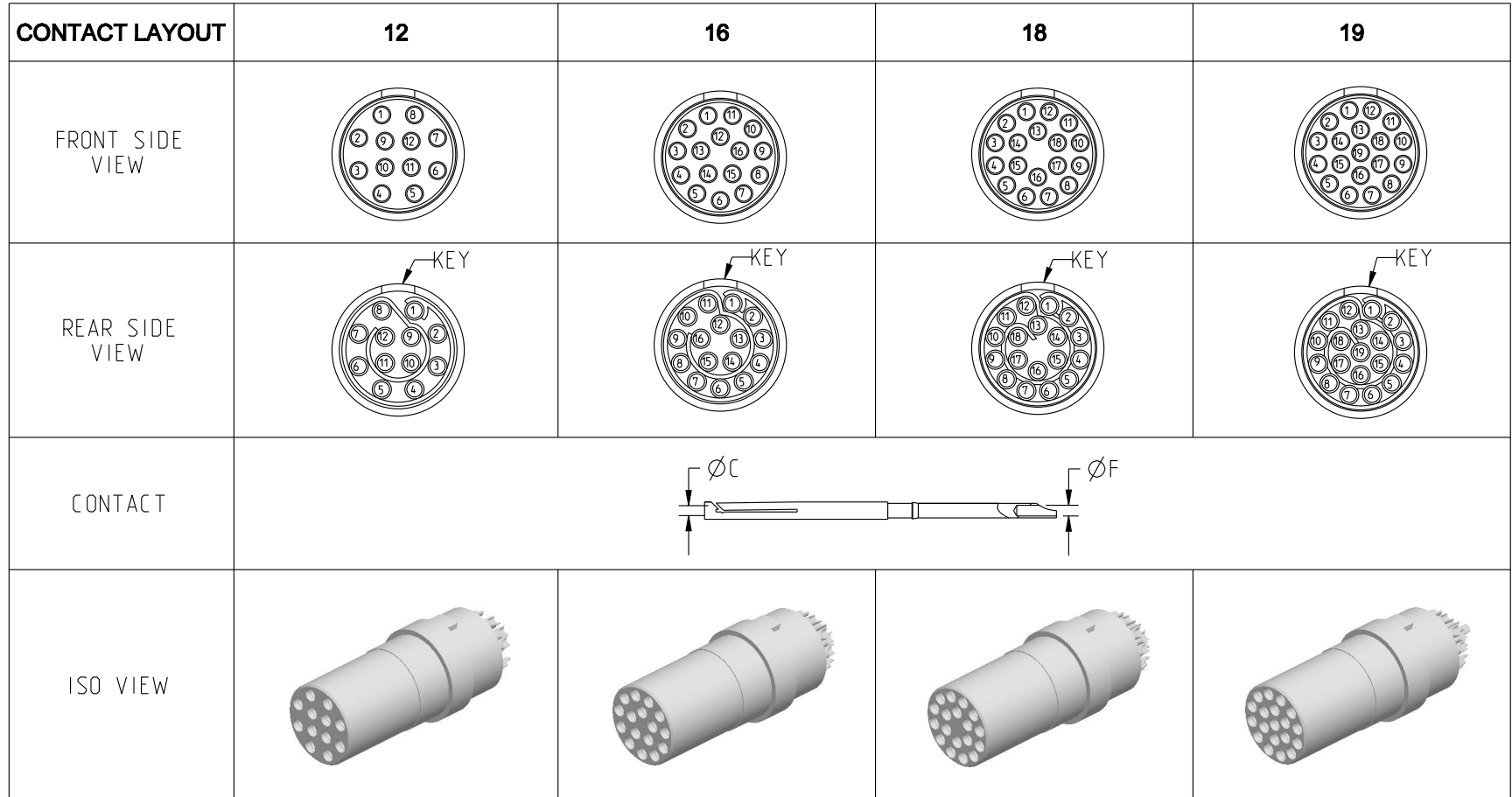
| No. OF PLACES | mm [INCH] |
|---------------|---------------|
| ONE PLACE | ±3 [±.1] |
| TWO PLACES | ±0.5 [±.02] |
| THREE PLACES | ±0.25 [±.010] |

ANGLES ±1°

B

A

DWG. NO.
JBX2INSFSC



| CONTACT | ØC | 0.7 | 0.7 | 0.7 | 0.7 |
|----------------------------|-------------------------|---------|---------|---------|------|
| | ØF | 0.81 | 0.81 | 0.81 | 0.81 |
| | MAX. AWG | 22 | 22 | 22 | 22 |
| | MAX. CURRENT RATING (A) | 7 | 7 | 7 | 7 |
| INSULATOR | CONTACT RESISTANCE (mΩ) | 5 | 5 | 5 | 5 |
| | NUMBER OF CAVITY | 12 | 16 | 18 | 19 |
| | MAX. CURRENT RATING | 7 | 6 | 5.5 | 5 |
| | TEST VOLTAGE (Vrms) | 1700 | 1500 | 1400 | 1400 |
| WORKING VOLTAGE (Vdc/Vrms) | 830/560 | 730/500 | 660/460 | 660/460 | |

THIS DRAWING IS A CONTROLLED DOCUMENT FOR SOURIAU USA, INC. IT IS SUBJECT TO CHANGE WITHOUT NOTIFICATION. CONTACT THE DOCUMENT CONTROL CENTER FOR THE LATEST REVISION.

THE INFORMATION CONTAINED IN THIS DRAWING IS CONFIDENTIAL AND MAY NOT BE DISCLOSED WITHOUT WRITTEN CONSENT FROM SOURIAU USA, INC.

B

A

DRAWING TITLE
JBX, SIZE 2, FEMALE INSULATOR, SOLDER CONTACT

CAT NO. **JBX2INSFS**

CAGE NO: 09922 SIZE: B

| | | | | |
|------------------------|----------------|-------------------|------------|----------|
| CUSTOMER | SOURIAU | APPROVAL | DRAWN: TJS | 02-04-15 |
| | | | CHKD : EV | 02-04-15 |
| | | | DSGN : EV | 02-04-15 |
| | | | MFG : DH | 02-04-15 |
| | | | QC : BB | 02-04-15 |
| WWW.SOURIAU.COM | | DRAWING SCALE: NA | | |
| | | DRAWING NO. | REV | |
| | | JBX2INSFSC | B | |
| | | 3 OF 3 | | |

LINEAR MEASURE: $\frac{mm}{INCH}$ mm (INCH)
THIRD ANGLE PROJECTION

TOLERANCES UNLESS OTHERWISE SPECIFIED
No. OF PLACES mm [INCH]
ONE PLACE ±3 [±.1]
TWO PLACES ±0.5 [±.02]
THREE PLACES ±0.25 [±.010]
ANGLES ±1°

| ORIGIN | COUNTRY | JURISDICTION | CLASSIFICATION |
|--------|---------|--------------|----------------|
| X | FR | Not listed | N/A |
| | US | EAR | ECCN =EAR99 |

These commodities, technology or software are exported from the United States in accordance with the Export Administration Regulations. Diversion contrary to U.S. law is prohibited

INTERPRET THIS DRAWING IN ACCORDANCE WITH ASME Y14.5M - 1994.