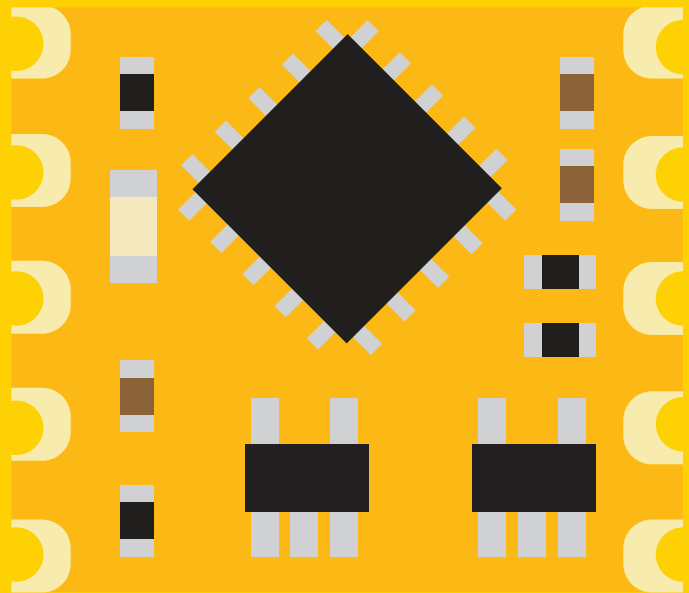


OEM-DOTM

Embedded Dissolved Oxygen Circuit
ISO 5814 Compliant

| | |
|--|--|
| Reads | Dissolved Oxygen |
| Range | 0.01 – 100+ mg/L 0.01 – 400+ % saturation |
| Accuracy | +/- 0.05 mg/L |
| Response time | 1 reading every 420ms |
| Supported probes | Any galvanic probe |
| Calibration | 1 or 2 point |
| Temperature, salinity and pressure compensation | Yes |
| Data protocol | SMBus/I²C |
| Default I ² C address | 0x67 |
| Operating voltage | 3.0V – 5.5V |
| Data format | ASCII |



PATENT PROTECTED



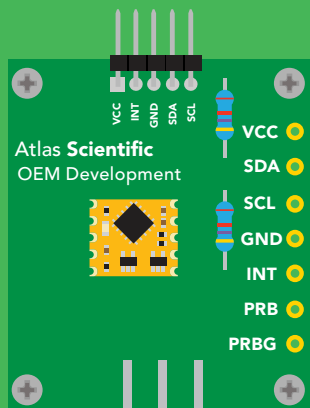
STOP

SOLDERING THIS DEVICE VOIDS YOUR WARRANTY.

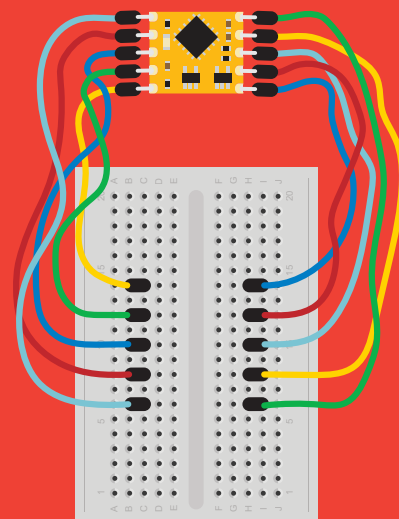
Before purchasing the Dissolved Oxygen OEM™ read this data sheet in its entirety. This product is designed to be surface mounted to a PCB of your own design.

This device is designed for electrical engineers who are familiar with embedded systems design and programming. If you, or your engineering team are not familiar with embedded systems design and programming, Atlas Scientific does not recommend buying this product.

Get this device working in our OEM Development board first!



Do not solder wires to this device.



Attention

You may see these four pins soldered together.
THIS IS NOT A MISTAKE.

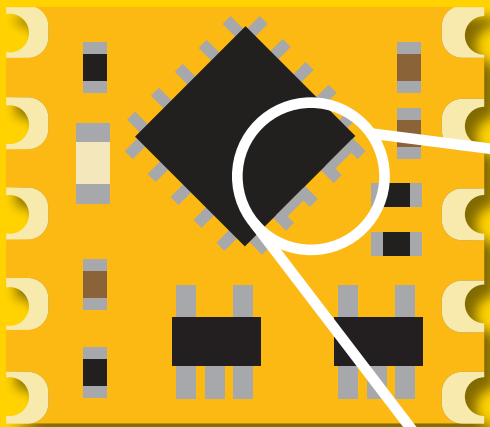


Table of contents

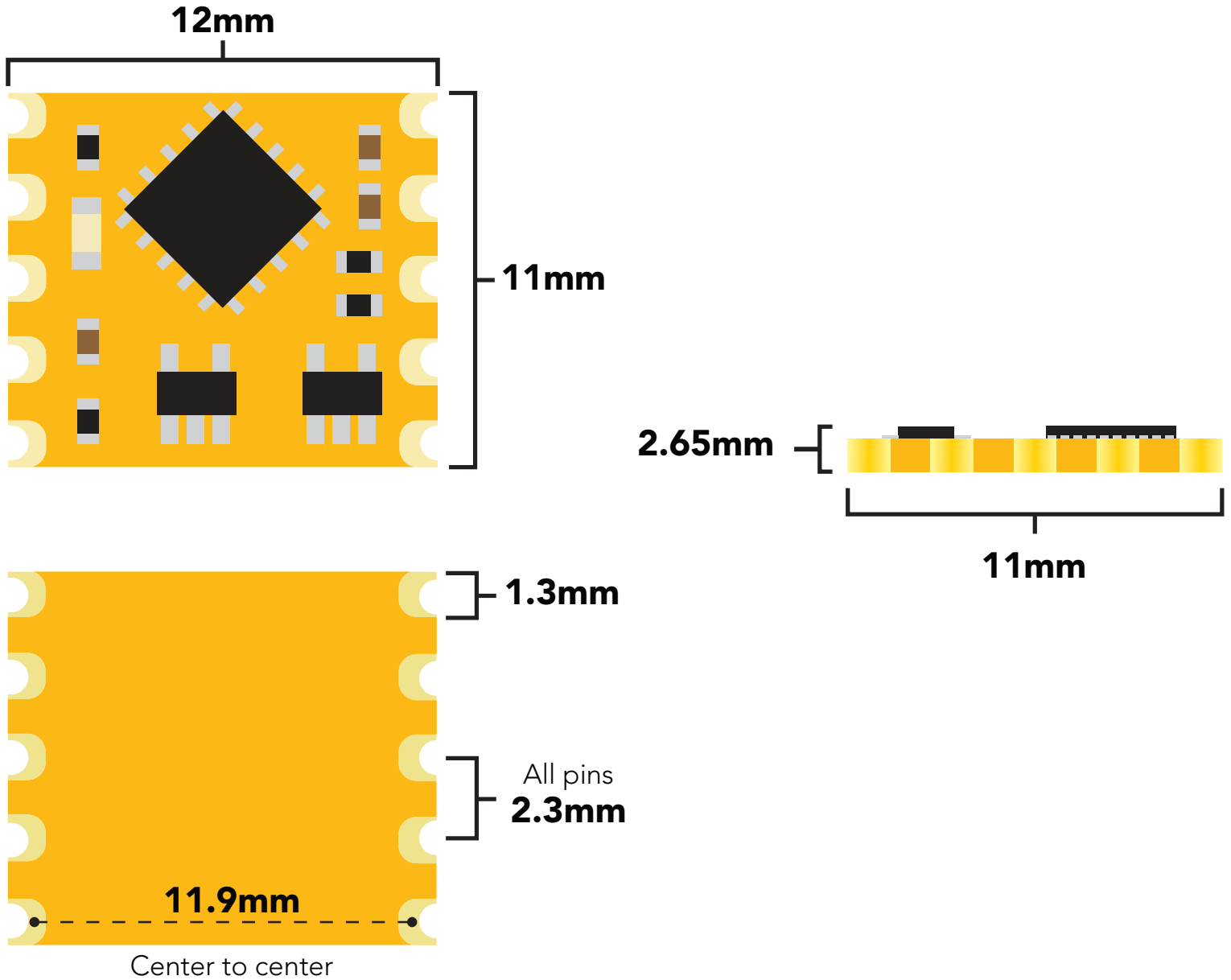
| | | | |
|-------------------------------|----------|---|-----------|
| OEM circuit dimensions | 5 | System overview | 7 |
| Power consumption | 5 | Reading register values | 8 |
| Absolute max ratings | 5 | Writing register values | 9 |
| Pin out | 6 | Sending floating point numbers | 10 |
| Resolution | 6 | Receiving floating point numbers | 11 |
| Power on/start up | 6 | | |

REGISTERS

| | |
|---|-----------|
| 0x00 Device type register | 13 |
| 0x01 Device version register | 13 |
| 0x02 Address lock/unlock register | 14 |
| 0x03 Address register | 15 |
| 0x04 Interrupt control register | 16 |
| 0x05 LED control register | 18 |
| 0x06 Active/hibernate register | 18 |
| 0x07 New reading available register | 19 |
| 0x08 Calibration register | 20 |
| 0x09 Calibration confirmation register | 20 |
| 0x0A – 0x0D Salinity compensation registers | 21 |
| 0x0E – 0x11 Pressure compensation registers | 22 |
| 0x12 – 0x15 Temperature compensation registers | 23 |
| 0x16 – 0x19 Salinity confirmation registers | 24 |
| 0x1A – 0x1D Pressure confirmation registers | 24 |
| 0x1E – 0x21 Temperature confirmation registers | 24 |
| 0x22 – 0x25 D.O. in mg/L registers | 25 |
| 0x26 – 0x29 D.O. in saturation registers | 25 |

| | |
|---|-----------|
| OEM electrical isolation | 27 |
| Designing your product | 28 |
| Designing your PCB | 30 |
| Recommended pad layout | 31 |
| IC tube measurements | 31 |
| Recommended reflow soldering profile | 32 |
| Pick and place usage | 33 |
| Datasheet change log | 34 |
| Firmware update | 35 |

OEM circuit dimensions



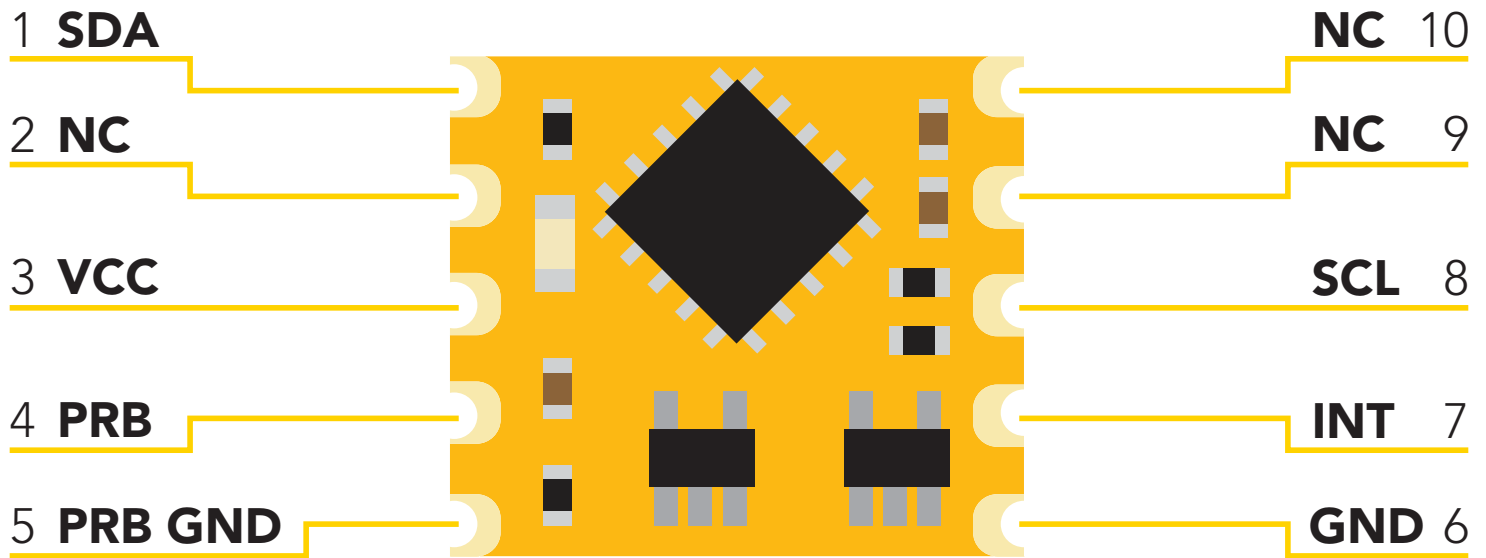
Power consumption

| | LED | OPERATIONAL | HIBERNATION |
|------|-----|-------------|-------------|
| 3.3V | ON | 2.46 mA | 2.40 mA |
| | OFF | 2.11 mA | 2.09 mA |

Absolute max ratings

| Parameter | MIN | TYP | MAX |
|-------------------------|--------|-------|--------|
| Storage temperature | -60 °C | | 150 °C |
| Operational temperature | -40 °C | 25 °C | 125 °C |
| VCC | 3.0V | 3.3V | 5.5V |

Pin out



Resolution

The resolution of a sensor is the smallest change it can detect in the quantity that it is measuring. The Atlas Scientific™ Dissolved Oxygen OEM™ will always produce a reading with a resolution of two decimal places.

Example

1.02 mg/L or 4.01%
9.47 mg/L or 98.78%

Power on/start up

Once the Atlas Scientific™ Dissolved Oxygen OEM™ is powered on it will be ready to receive commands and take readings after 1 ms. Communication is done using the SMBus/I²C protocol at speeds of 10 – 100 kHz.

Settings that are retained if power is cut

Calibration
I²C address

Settings that are **NOT** retained if power is cut

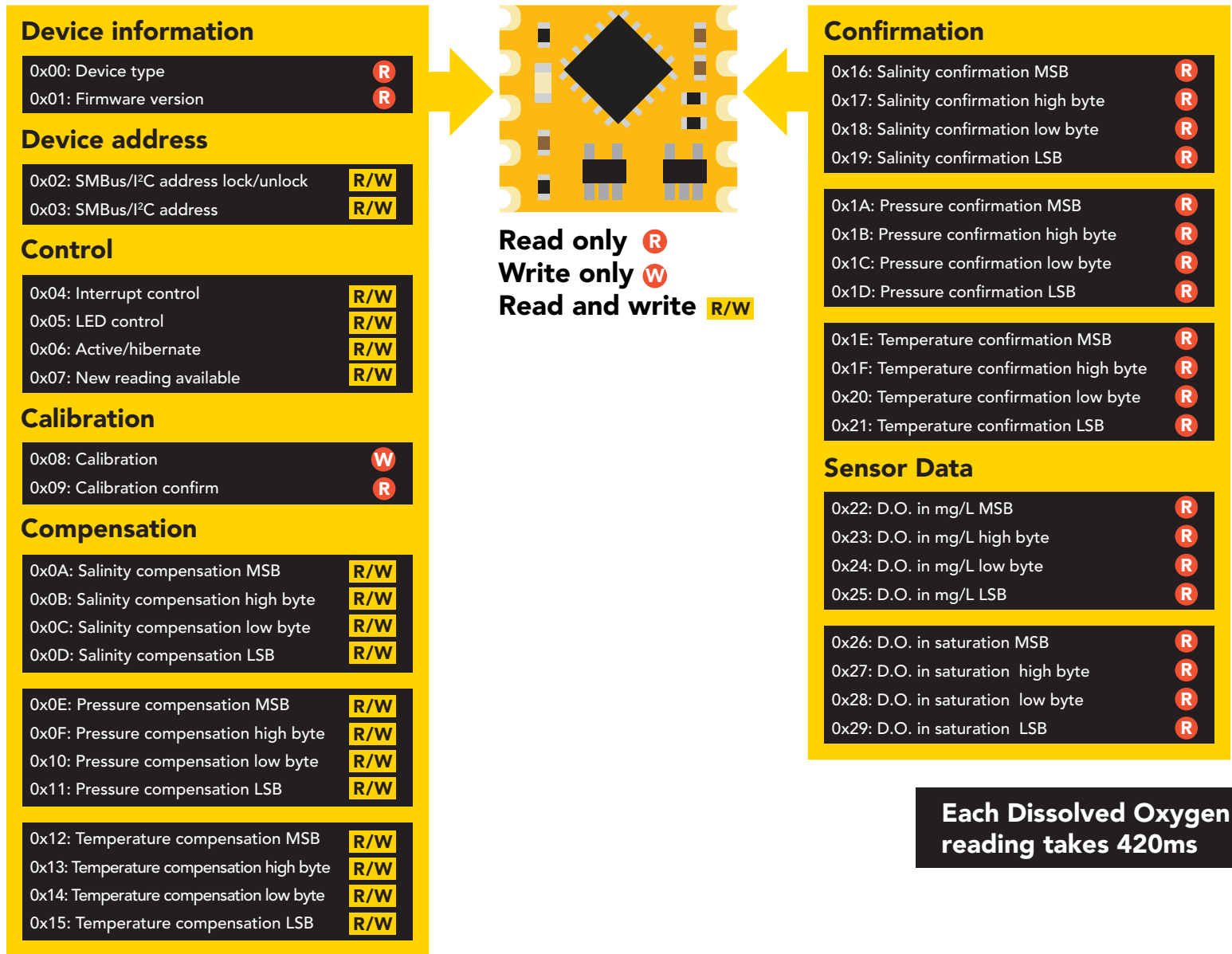
Active/Hibernation mode
LED control
Interrupt control
Salinity compensation
Pressure compensation
Temperature compensation

System overview

The Atlas Scientific™ Dissolved Oxygen OEM™ Class Embedded Circuit is the core electronics needed to read Dissolved Oxygen of water from any off the shelf galvanic dissolved oxygen probe. The Dissolved Oxygen OEM™ Embedded Circuit will meet, or exceed the capabilities and accuracy found in all models of bench top laboratory grade Dissolved Oxygen meters.

The Dissolved Oxygen OEM™ is an SMBus/I²C slave device that communicates to a master device at a speed of 10 – 100 kHz. Read and write operations are done by accessing **42** different 8 bit registers.

Accessible registers



Each Dissolved Oxygen reading takes 420ms

The default device address is **0x67**
This address can be changed.

Reading register values

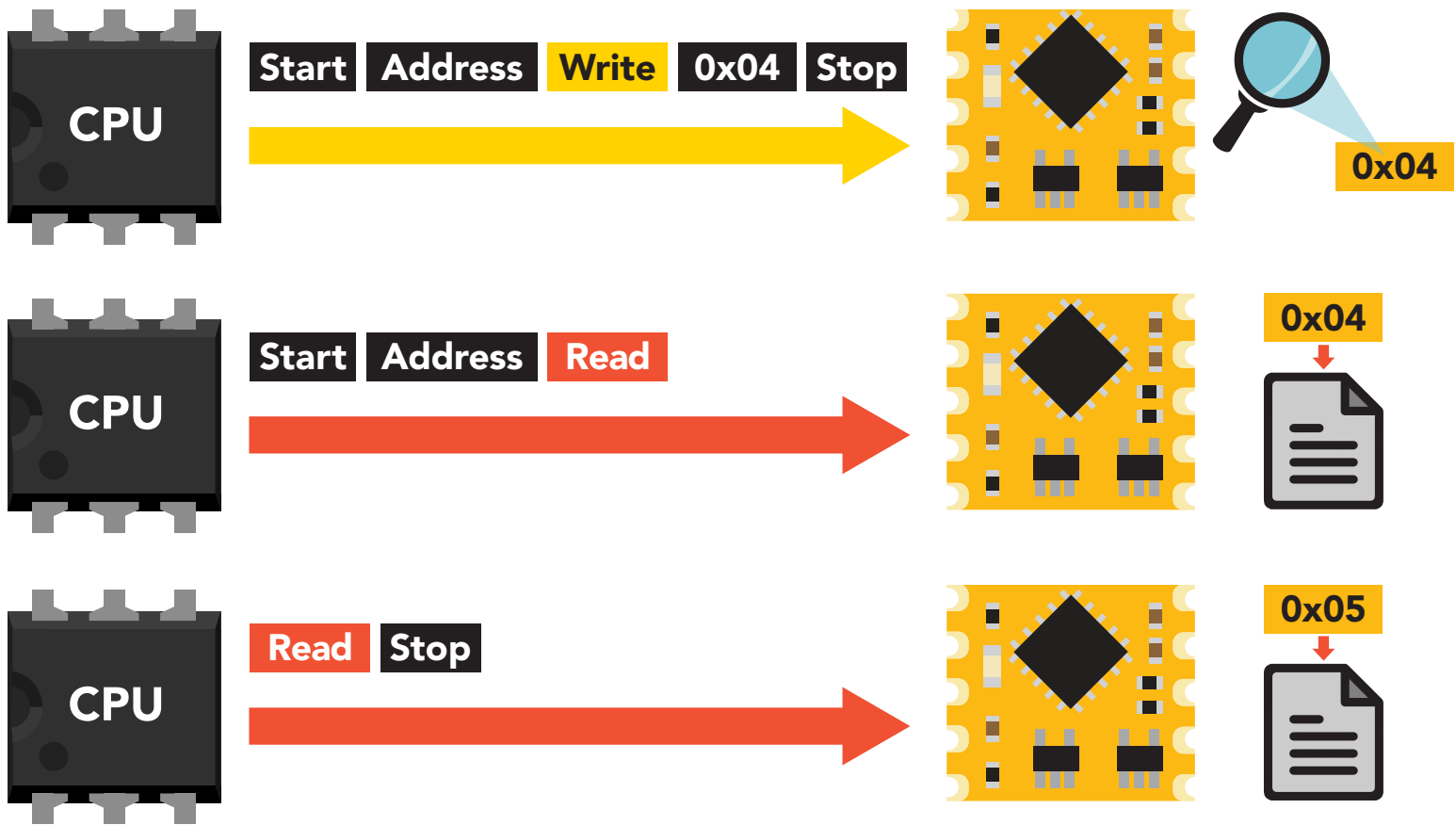
To read one or more registers, issue a write command and transmit the register address that should be read from, followed by a stop command. Then issue a read command, the data read will be the value that is stored in that register. Issuing another read command will automatically read the value in the next register. This can go on until all registers have been read. After reading the last register, additional read commands will return 0xFF. Issuing a stop command will terminate the read event.

Issuing a stop command will terminate the read event.

The default device address is **0x67**
This address can be changed.

Example

Start reading at register 0x04 and read 2 times.



Example code reading two registers

```
byte i2c_device_address=0x67;  
byte reg_4, reg_5;  
  
Wire.beginTransmission(i2c_device_address);  
Wire.write(0x04);  
Wire.endTransmission();  
  
Wire.requestFrom(i2c_device_address,2);  
reg_4=Wire.read();  
reg_5=Wire.read();  
  
Wire.endTransmission();
```

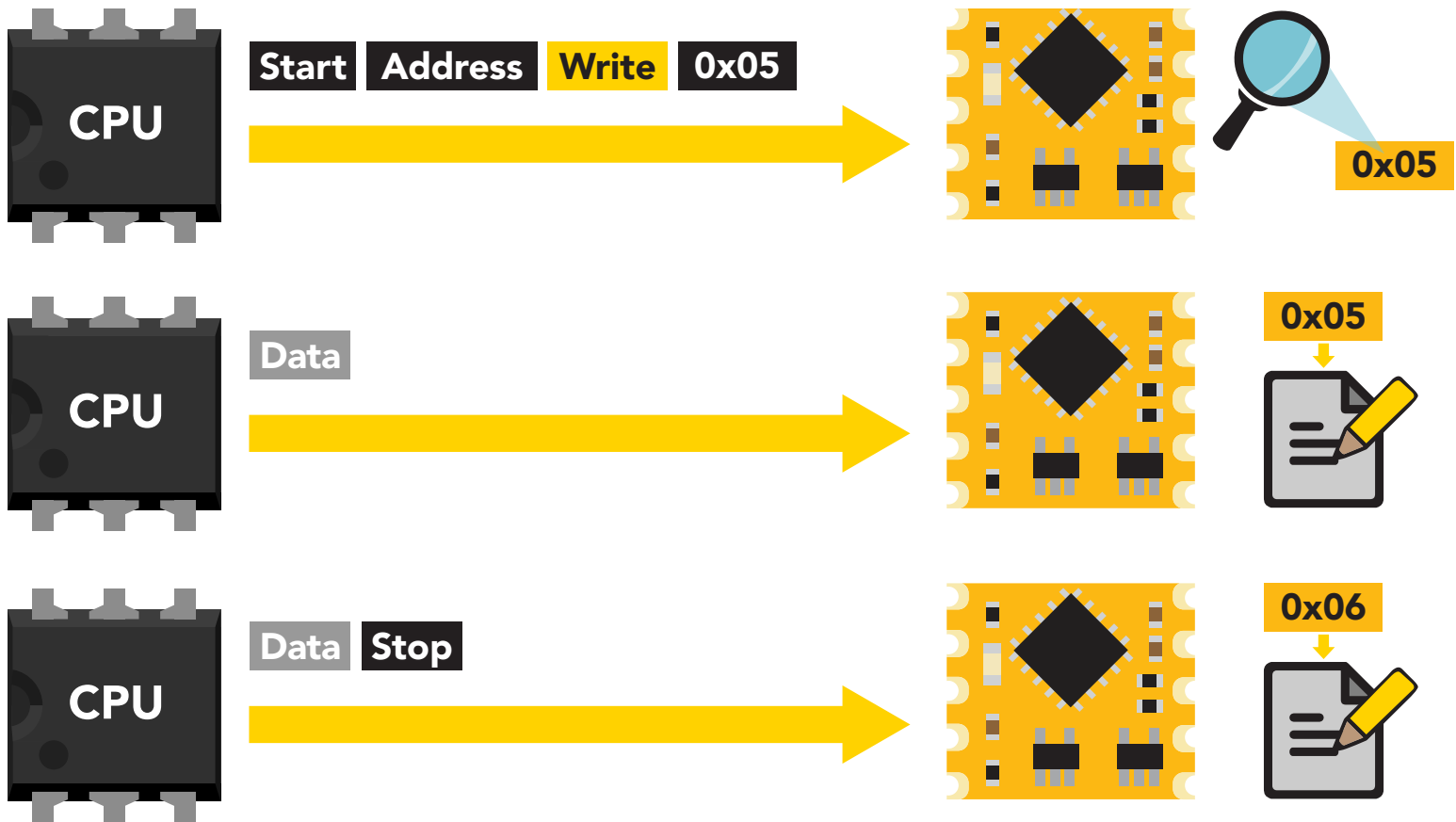

Writing register values

All registers can be read, but only registers marked read/write can be written to.

To write to one (or more) registers, issue a write command and transmit the register address that should be written to, followed by the data byte to be written. Issuing another write command will automatically write the value in the next register. This can go on until all registers have been written to. **After writing to the last register, additional write commands will do nothing.**

Example

Start writing at address 0x05 and write 2 values.



Example code

writing the number 1
in register 0x05 – 0x06

```
byte i2c_device_address=0x67;  
byte starting_register=0x05  
byte data=1;
```

```
Wire.beginTransmission(i2c_device_address);  
Wire.write(starting_register);  
Wire.write(data);  
Wire.write(data);  
Wire.endTransmission();
```

Sending floating point numbers

For ease of understanding we are calling fixed decimal numbers "floating point numbers." We are aware they are not technically floating point numbers.

It is not possible to send/receive a floating (fixed decimal) point number over the SMBus/I²C data protocol. Therefore, a multiplier/divider is used to remove the decimal point. Do not transmit a floating point number without property formatting the number first.

2 blocks of registers require the master to transmit a floating point number.

Pressure compensation

Temperature compensation

When transmitting a floating point number, the number must first be multiplied by 100. (*removing the decimal place*) Internally the Dissolved Oxygen OEM™ will divide the number by 100, converting it back into a floating point number.

Example

Setting the water temperature to 22.72 °C

$$22.72 \times 100 = 2272$$

Transmit the number 2272 to the temperature compensation register

Setting the atmospheric pressure compensation value to 92.82 kPa

$$92.82 \times 100 = 9282$$

Transmit the number 9282 to the pressure compensation register

When reading back a value stored in one of these 2 register blocks the value must be divided by 100 to return it to its originally intended value.

Receiving floating point numbers

4 blocks of registers require the master receive a floating point number.

Pressure confirmation

Temperature confirmation

D.O. in mg/L

D.O. in % saturation

After receiving a value from any of these 4 register blocks, the number must be divided by 100 to convert it back into a two decimal floating point number.

Example

Reading a pressure confirmation value of 102.56 kPa

Value received = 10256

$10256 / 100 = 102.56 \text{ kPa}$

Reading a temperature confirmation value of 99.06°C

Value received = 9906

$9906 / 100 = 99.06^\circ\text{C}$

Reading a D.O. value of 9.56

Value received = 956

$956 / 100 = 9.56 \text{ mg/L}$

Reading a D.O. value of 88.65% saturation

Value received = 8865

$8865 / 100 = 88.65 \text{ % saturation}$

Registers

Device information



0x00

0x01

0x02

0x03

0x04

0x05

0x06

0x07

0x08

0x09

0x0A

0x0B

0x0C

0x0D

0x0E

0x0F

0x10

0x11

0x12

0x13

0x14

0x15

0x16

0x17

0x18

0x19

0x1A

0x1B

0x1C

0x1D

0x1E

0x1F

0x20

0x21

0x22

0x23

0x24

0x25

0x26

0x27

0x28

0x29

0x00: Device type

R

0x01: Firmware version

R

0x00 – Device type register

1 unsigned byte

Read only value = 3

3 = Dissolved Oxygen

This register contains a number indicating what type of OEM device it is.

0x01 – Firmware version register

1 unsigned byte

Read only value = 2

2 = firmware version

This register contains a number indicating the firmware version of the OEM device.

Example code

reading device type and device version registers

```
byte i2c_device_address=0x67;  
byte starting_register=0x00  
byte device_type;  
byte version_number;
```

```
Wire.beginTransmission(i2c_device_address);  
Wire.write(starting_register);  
Wire.endTransmission();
```

```
Wire.requestFrom(i2c_device_address,(byte)2);  
device_type = Wire.read();  
version_number = Wire.read();  
Wire.endTransmission();
```

Changing I²C address

0x02: SMBus/I²C address lock/unlock

R/W

0x03: SMBus/I²C address

R/W

This is a 2 step procedure

To change the I²C address, an unlock command must first be issued.

Step 1

Issue unlock command

0x02 – I²C address unlock register

1 unsigned byte

Read only value = 0 or 1

0 = **unlocked**

1 = **locked**

To unlock this register it must be written to twice.

Start **unlock register** **0x55** **Stop**

Start **unlock register** **0xAA** **Stop**



The two unlock commands must be sent back to back in immediate succession. No other write, or read event can occur. Once the register is unlocked it will equal 0x00 (unlocked).

To lock the register

Write any value to the register other than 0x55;

or, change the address in the Device Address Register.

Example code address unlock

```
byte i2c_device_address=0x67;  
byte unlock_register=0x02;
```

```
Wire.beginTransmission(bus_address);  
Wire.write(unlock_register);  
Wire.write(0x55);  
Wire.endTransmission();
```

```
Wire.beginTransmission(bus_address);  
Wire.write(unlock_register);  
Wire.write(0xAA);  
Wire.endTransmission();
```

0x00

0x01

0x02

0x03

0x04

0x05

0x06

0x07

0x08

0x09

0x0A

0x0B

0x0C

0x0D

0x0E

0x0F

0x10

0x11

0x12

0x13

0x14

0x15

0x16

0x17

0x18

0x19

0x1A

0x1B

0x1C

0x1D

0x1E

0x1F

0x20

0x21

0x22

0x23

0x24

0x25

0x26

0x27

0x28

0x29

Step 2

Change address

0x03 – I²C address register

1 unsigned byte

Default value = **0x67**

Address can be changed **0x01 – 0x7F (1–127)**

Address changes outside of the possible range **0x01 – 0x7F (1–127)** will be ignored.

After a new address has been sent to the device the Address lock/unlock register will lock and the new address will take hold. It will no longer be possible to communicate with the device using the old address.



Settings to this register are retained if the power is cut.

Example code changing device address

```
byte i2c_device_address=0x67;  
byte new_i2c_device_address=0x60;  
byte address_reg=0x03;  
  
Wire.beginTransmission(bus_address);  
Wire.write(address_reg);  
Wire.write(new_i2c_device_address);  
Wire.endTransmission();
```

0x00

0x01

0x02

0x03

0x04

0x05

0x06

0x07

0x08

0x09

0x0A

0x0B

0x0C

0x0D

0x0E

0x0F

0x10

0x11

0x12

0x13

0x14

0x15

0x16

0x17

0x18

0x19

0x1A

0x1B

0x1C

0x1D

0x1E

0x1F

0x20

0x21

0x22

0x23

0x24

0x25

0x26

0x27

0x28

0x29

Control registers

0x04: Interrupt control

R/W

0x05: LED control

R/W

0x06: Active/hibernate

R/W

0x07: New reading available

R/W

0x04 – Interrupt control register

1 unsigned byte

Default value = 0 (disabled)

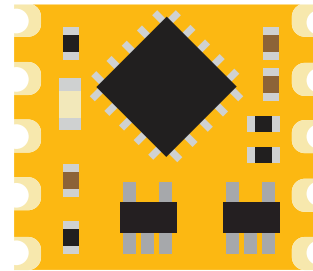
Command values

0 = disabled

2 = pin high on new reading (manually reset)

4 = pin low on new reading (manually reset)

8 = invert state on new reading (automatically reset)



Pin 7

The Interrupt control register adjusts the function of pin 7 (the interrupt output pin).

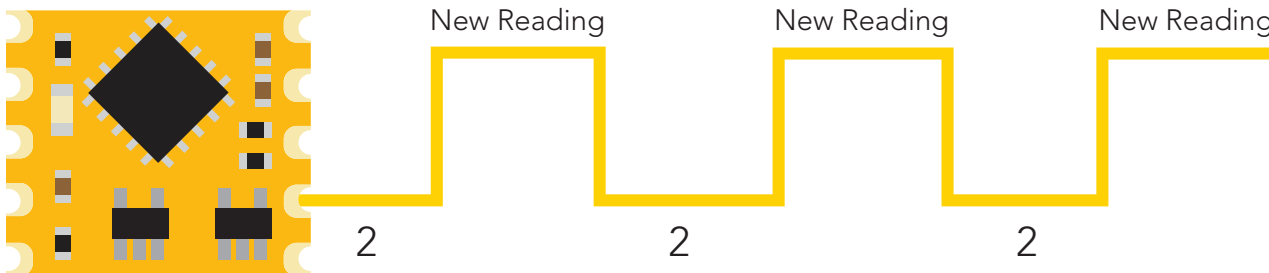


Settings to this register are **not** retained if the power is cut.

Pin high on new reading

Command value = 2

By setting the interrupt control register to 2 the pin will go to a low state (0 volts). Each time a new reading is available the INT pin (pin 7) will be set and output the same voltage that is on the VCC pin.



The pin will not auto reset. 2 must be written to the interrupt control register after each transition from low to high.

Example code

Setting pin high on new reading

```
byte i2c_device_address=0x67;  
byte int_control=0x04;
```

```
Wire.beginTransmission(i2c_device_address);  
Wire.write(int_control);  
Wire.write(0x02);  
Wire.endTransmission();
```

0x00

0x01

0x02

0x03

0x04

0x05

0x06

0x07

0x08

0x09

0x0A

0x0B

0x0C

0x0D

0x0E

0x0F

0x10

0x11

0x12

0x13

0x14

0x15

0x16

0x17

0x18

0x19

0x1A

0x1B

0x1C

0x1D

0x1E

0x1F

0x20

0x21

0x22

0x23

0x24

0x25

0x26

0x27

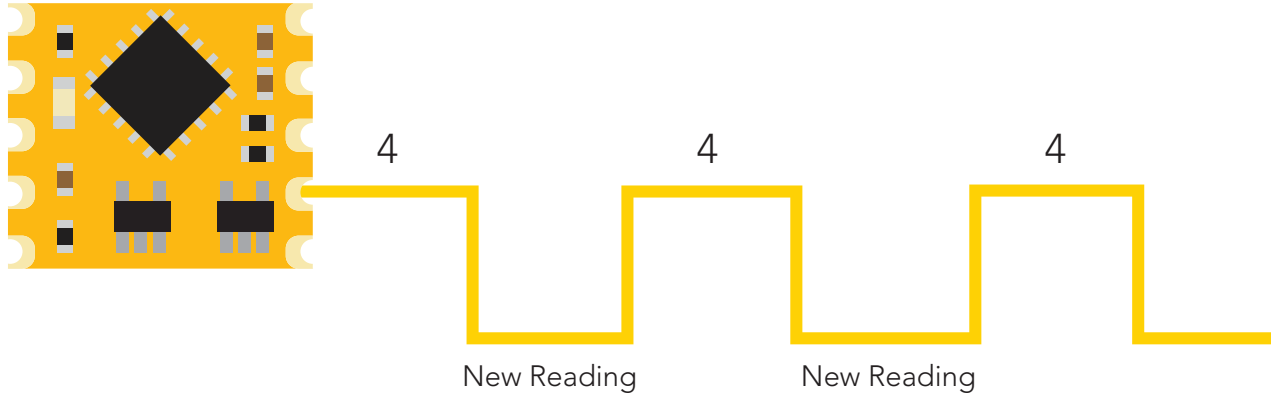
0x28

0x29

Pin low on new reading

Command value = 4

By setting the interrupt control register to 4 the pin will go to a high state (VCC). Each time a new reading is available the INT pin (pin 7) will be reset and the pin will be at 0 volts.



The pin will not auto set. 4 must be written to the interrupt control register after each transition from high to low.

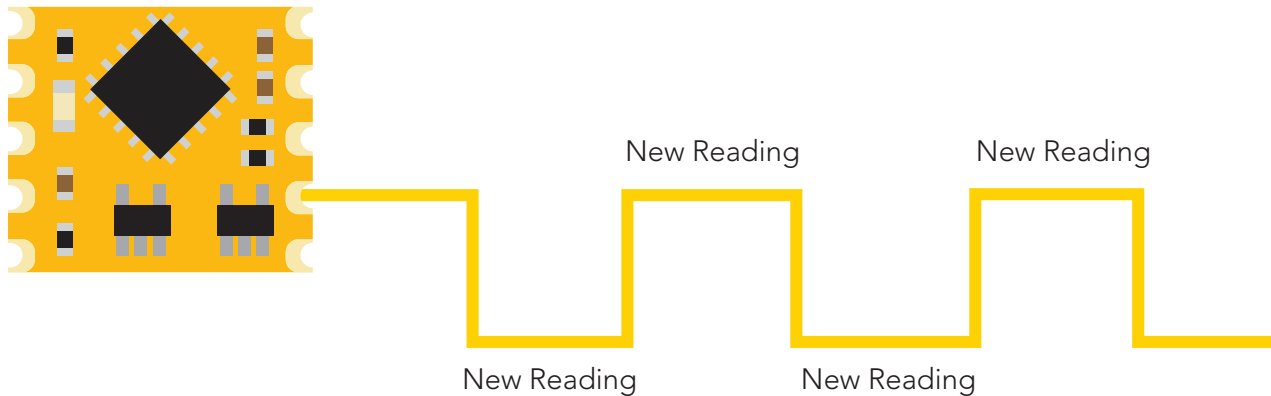
Example code Setting pin low on new reading

```
byte I2C_device_address=0x67;  
byte int_control=0x04;  
  
Wire.beginTransmission(I2C_device_address);  
Wire.write(int_control);  
Wire.write(0x04);  
Wire.endTransmission();
```

Invert state on new reading

Command value = 8

By setting the interrupt control register to 8 the pin will remain in whatever state it is in. Each time a new reading is available the INT pin (pin 7) will invert its state.



The pin will automatically invert its state each time a new reading is available. This setting has been specifically designed for a master device that can use an interrupt on change function.

Example code Inverting state on new reading

```
byte i2c_device_address=0x67;  
byte int_control=0x04;  
  
Wire.beginTransmission(i2c_device_address);  
Wire.write(int_control);  
Wire.write(0x08);  
Wire.endTransmission();
```

| |
|------|
| 0x00 |
| 0x01 |
| 0x02 |
| 0x03 |
| 0x04 |
| 0x05 |
| 0x06 |
| 0x07 |
| 0x08 |
| 0x09 |
| 0x0A |
| 0x0B |
| 0x0C |
| 0x0D |
| 0x0E |
| 0x0F |
| 0x10 |
| 0x11 |
| 0x12 |
| 0x13 |
| 0x14 |
| 0x15 |
| 0x16 |
| 0x17 |
| 0x18 |
| 0x19 |
| 0x1A |
| 0x1B |
| 0x1C |
| 0x1D |
| 0x1E |
| 0x1F |
| 0x20 |
| 0x21 |
| 0x22 |
| 0x23 |
| 0x24 |
| 0x25 |
| 0x26 |
| 0x27 |
| 0x28 |
| 0x29 |

0x05 – LED control register

1 unsigned byte

Command values

- 1 = Blink each time a reading is taken
- 0 = Off

The LED control register adjusts the function of the on board LED. By default the LED is set to blink each time a reading is taken.

Example code Turning off LED

```
byte i2c_device_address=0x67;
byte led_reg=0x05;

Wire.beginTransmission(i2c_device_address);
Wire.write(led_reg);
Wire.write(0x00);
Wire.endTransmission();
```

! Settings to this register are **not** retained if the power is cut.

0x06 – Active/hibernate register

1 unsigned byte

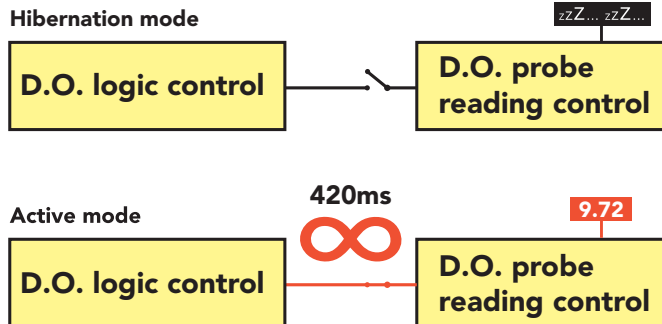
To wake the device

Transmit a 0X01 to register 0x06

To hibernate the device

Transmit a 0X00 to register 0x06

This register is used to activate, or hibernate the sensing subsystem of the OEM device.



Example code Activate Dissolved Oxygen readings

```
byte i2c_device_address=0x67;
byte active_reg=0x06;

Wire.beginTransmission(i2c_device_address);
Wire.write(active_reg);
Wire.write(0x01);
Wire.endTransmission();
```

Once the device has been woken up it will continuously take readings every 420ms. **Waking the device is the only way to take a reading. Hibernating the device is the only way to stop taking readings.**

- 0x00
- 0x01
- 0x02
- 0x03
- 0x04
- 0x05
- 0x06
- 0x07
- 0x08
- 0x09
- 0x0A
- 0x0B
- 0x0C
- 0x0D
- 0x0E
- 0x0F
- 0x10
- 0x11
- 0x12
- 0x13
- 0x14
- 0x15
- 0x16
- 0x17
- 0x18
- 0x19
- 0x1A
- 0x1B
- 0x1C
- 0x1D
- 0x1E
- 0x1F
- 0x20
- 0x21
- 0x22
- 0x23
- 0x24
- 0x25
- 0x26
- 0x27
- 0x28
- 0x29

0x07 – New reading available register

1 unsigned byte

Default value = 0 (no new reading)

New reading available = 1

Command values

0 = reset register

This register is for applications where the interrupt output pin cannot be used and continuously polling the device would be the preferred method of identifying when a new reading is available.

When the device is powered on, the New Reading Available Register will equal 0. Once the device is placed into active mode and a reading has been taken, the New Reading Available Register will move from 0 to 1.

This register will never automatically reset itself to 0. The master must reset the register back to 0 each time.

Example code

Polling new reading available register

```
byte i2c_device_address=0x67;  
byte new_reading_available=0;  
byte nra=0x07;
```

```
while(new_reading_available==0){  
  Wire.beginTransaction(i2c_device_address);  
  Wire.write(nra);  
  Wire.endTransmission();
```

```
  Wire.requestFrom(i2c_device_address,(byte)1);  
  new_reading_available = Wire.read();  
  Wire.endTransmission();  
  delay(10);  
}
```

```
if(new_reading_available==1){  
  call read_Dissolved Oxygen();  
  Wire.beginTransaction(i2c_device_address);  
  Wire.write(nra);  
  Wire.write(0x00);  
  Wire.endTransmission();  
}
```

0x00

0x01

0x02

0x03

0x04

0x05

0x06

0x07

0x08

0x09

0x0A

0x0B

0x0C

0x0D

0x0E

0x0F

0x10

0x11

0x12

0x13

0x14

0x15

0x16

0x17

0x18

0x19

0x1A

0x1B

0x1C

0x1D

0x1E

0x1F

0x20

0x21

0x22

0x23

0x24

0x25

0x26

0x27

0x28

0x29

Calibration

0x08: Calibration

W

0x09: Calibration confirm

R

0x08 – Calibration register

1 unsigned byte

Command values

- 1 = clear all previous calibration
- 2 = calibrate to atmospheric oxygen content
- 3 = calibrate to 0 dissolved oxygen

After loading the register with the desired calibration type and an SMBus/I²C stop condition has been issued, calibration will occur.

The 2 register calibration block is used to perform calibration, and verify that calibration has been done.

The Dissolved Oxygen OEM™ is capable of one or two-point calibration. Once the calibration register has been set to a desired calibration type and a SMBus/I²C stop condition has been issued, calibration will occur. The calibration confirmation register is used to confirm that calibration was done.

The calibration process takes 40 ms

0x09 – Calibration confirmation register

1 unsigned byte

Read only values

- 0 = no calibration
- 1 = calibrated to atmosphere
- 2 = calibrated to 0 Dissolved Oxygen
- 3 = calibrated to both atmospheric and 0 Dissolved Oxygen

After a calibration event has been successfully carried out, the calibration confirmation register will reflect what calibration has been done.



Settings to this register are retained if the power is cut.

0x00

0x01

0x02

0x03

0x04

0x05

0x06

0x07

0x08

0x09

0x0A

0x0B

0x0C

0x0D

0x0E

0x0F

0x10

0x11

0x12

0x13

0x14

0x15

0x16

0x17

0x18

0x19

0x1A

0x1B

0x1C

0x1D

0x1E

0x1F

0x20

0x21

0x22

0x23

0x24

0x25

0x26

0x27

0x28

0x29

Salinity compensation

0x0A: Salinity compensation MSB

R/W

0x0B: Salinity compensation high byte

R/W

0x0C: Salinity compensation low byte

R/W

0x0D: Salinity compensation LSB

R/W

0x0A – 0x0D Salinity compensation registers

Unsigned long

0x0A = MSB

0x0D = LSB

Default value = 0 μ s

Units = " μ s" microsiemens

Salinity effects waters ability to hold oxygen. Transmitting the conductivity (in microsiemens) of the water to the salinity compensation registers will correct the dissolved oxygen readings to account for the waters salinity.

To send a new conductivity value to the salinity compensation register the value must first multiplied by 100, moved to an unsigned long and broken up into 4 bytes. Then it can be transmitted (MSB to LSB) to the salinity compensation register.



Settings to this register are **not** retained if the power is cut.

Example

Setting the register to 56,000 μ s

56,000 x 100 = 5,600,000

5,600,000 \rightarrow Unsigned long

Unsigned long = Hex (0x00, 0x55, 0x73, 0x00)

0x0A 0x0B 0x0C 0x0D

0x00

0x01

0x02

0x03

0x04

0x05

0x06

0x07

0x08

0x09

0x0A

0x0B

0x0C

0x0D

0x0E

0x0F

0x10

0x11

0x12

0x13

0x14

0x15

0x16

0x17

0x18

0x19

0x1A

0x1B

0x1C

0x1D

0x1E

0x1F

0x20

0x21

0x22

0x23

0x24

0x25

0x26

0x27

0x28

0x29

Pressure compensation

| | |
|---------------------------------------|-----|
| 0x0E: Pressure compensation MSB | R/W |
| 0x0F: Pressure compensation high byte | R/W |
| 0x10: Pressure compensation low byte | R/W |
| 0x11: Pressure compensation LSB | R/W |

0x0E – 0x11 Pressure compensation registers

Unsigned long

0x0E = MSB

0x11 = LSB

Default value = 101.32 kPa

Units = "kPa" kilopascals

Pressure effects water's ability to hold oxygen. Transmitting the pressure (in kilopascals) of the atmosphere (*for high altitude measurement*) or the water pressure (*for D.O. readings at depth*) to the pressure compensation registers will correct the dissolved oxygen readings to account for the water/atmospheric pressure.

To send a new pressure value to the Pressure Compensation Register the value must first be multiplied by 100, moved to an unsigned long and broken up into 4 bytes. Then it can be transmitted (MSB to LSB) to the pressure compensation register.

Pressure is always in "kPa" and can be a floating point number with no more than two decimal places.



Settings to this register are **not** retained if the power is cut.

Example

Setting the register to 135.86 kPa

$135.86 \times 100 = 13,586$

13,586 → Unsigned long

Unsigned long = Hex (0x00, 0x00, 0x35, 0x12)

0x0E 0x0F 0x10 0x11

0x00

0x01

0x02

0x03

0x04

0x05

0x06

0x07

0x08

0x09

0x0A

0x0B

0x0C

0x0D

0x0E

0x0F

0x10

0x11

0x12

0x13

0x14

0x15

0x16

0x17

0x18

0x19

0x1A

0x1B

0x1C

0x1D

0x1E

0x1F

0x20

0x21

0x22

0x23

0x24

0x25

0x26

0x27

0x28

0x29

Temperature compensation

| | |
|--|-----|
| 0x12: Temperature compensation MSB | R/W |
| 0x13: Temperature compensation high byte | R/W |
| 0x14: Temperature compensation low byte | R/W |
| 0x15: Temperature compensation LSB | R/W |

0x12 – 0x15 Temperature compensation registers

Unsigned long

0x12 = MSB

0x15 = LSB

Default value = 20 °C

Units = °C

Temperature effects water's ability to hold oxygen. Transmitting the temperature (in °C) of the water to the temperature compensation registers will correct the dissolved oxygen readings to account for the water temperature.

To send a new temperature value to the temperature compensation register the value must first be multiplied by 100, moved to an unsigned long and broken up into 4 bytes. Then it can be transmitted (MSB to LSB) to the temperature compensation register.



Settings to this register are **not** retained if the power is cut.

Example

Setting the register to 13.78°C

$13.78 \times 100 = 1,378$

1,378 → Unsigned long

Unsigned long = Hex (0x00, 0x00, 0x05, 0x62)

0x12 0x13 0x14 0x15

0x00

0x01

0x02

0x03

0x04

0x05

0x06

0x07

0x08

0x09

0x0A

0x0B

0x0C

0x0D

0x0E

0x0F

0x10

0x11

0x12

0x13

0x14

0x15

0x16

0x17

0x18

0x19

0x1A

0x1B

0x1C

0x1D

0x1E

0x1F

0x20

0x21

0x22

0x23

0x24

0x25

0x26

0x27

0x28

0x29

Salinity, pressure and temperature confirmation

0x16: Salinity confirmation MSB **R**
0x17: Salinity confirmation high byte **R**
0x18: Salinity confirmation low byte **R**
0x19: Salinity confirmation LSB **R**

0x1A: Pressure confirmation MSB **R**
0x1B: Pressure confirmation high byte **R**
0x1C: Pressure confirmation low byte **R**
0x1D: Pressure confirmation LSB **R**

0x1E: Temperature confirmation MSB **R**
0x1F: Temperature confirmation high byte **R**
0x20: Temperature confirmation low byte **R**
0x21: Temperature confirmation LSB **R**

0x16 – 0x19 Salinity confirmation registers

Unsigned long

0x16 = MSB

0x19 = LSB

Default value = 0 μ s

Units = " μ s" microsiemens

The value in this register is only updated when actively taking readings.

0x1A – 0x1D Pressure confirmation registers

Unsigned long

0x1A = MSB

0x1D = LSB

Default value = 101.32 kPa

Units = "kPa" kilopascals

The value in this register is only updated when actively taking readings.

0x1E – 0x21 Temperature confirmation registers

Unsigned long

0x1E = MSB

0x21 = LSB

Default value = 25 $^{\circ}$ C

Units = $^{\circ}$ C

The value in this register is only updated when actively taking readings.

This block of three 8 bit read only registers are the Salinity, pressure and temperature Confirmation registers. They are used to confirm that any one (or all) of the compensation values that were used to take the D.O. readings have been applied to the current reading. Whatever values are in these registers are the values that will be used to calculate the next D.O. reading.

0x00

0x01

0x02

0x03

0x04

0x05

0x06

0x07

0x08

0x09

0x0A

0x0B

0x0C

0x0D

0x0E

0x0F

0x10

0x11

0x12

0x13

0x14

0x15

0x16

0x17

0x18

0x19

0x1A

0x1B

0x1C

0x1D

0x1E

0x1F

0x20

0x21

0x22

0x23

0x24

0x25

0x26

0x27

0x28

0x29

Sensor data

0x22: D.O. in mg/L MSB

R

0x23: D.O. in mg/L high byte

R

0x24: D.O. in mg/L low byte

R

0x25: D.O. in mg/L LSB

R

0x26: D.O. in saturation MSB

R

0x27: D.O. in saturation high byte

R

0x28: D.O. in saturation low byte

R

0x29: D.O. in saturation LSB

R

This 8 byte read only block of registers contains the D.O. readings. The first 4 byte block is the D.O. readings in mg/L. While the second 4-byte block is the D.O. readings in percent saturation.

Each time a new reading is taken the old reading is over written. The D.O. readings are stored as a 4 byte long (4 bytes for mg/L and 4 bytes for percent saturation) After reading each of the 4 bytes (MSB to LSB) and reassembling them into a long, the value should be moved (or cast) into a float and then divide by 100.

0x22 – 0x25 D.O. in mg/L registers

Unsigned long

0x22 = MSB

0x25 = LSB

Default value = 0 mg/L

Units = mg/L

The value in this register is only updated when actively taking readings.

The last D.O. reading taken, in mg/L is stored in these four registers.

To read the value in this register, read the bytes MSB to LSB and assign them to an unsigned long, cast to a float. Divide that number by 100.

0x26 – 0x29 D.O. in % saturation registers

Unsigned long

0x26 = MSB

0x29 = LSB

Default value = 0 % sat

Units = % sat

The value in this register is only updated when actively taking readings.

The last D.O. reading taken, in percent saturation is stored in these four registers.

To read the value in this register, read the bytes MSB to LSB and assign them to an unsigned long, cast to a float. Divide that number by 100.

0x00

0x01

0x02

0x03

0x04

0x05

0x06

0x07

0x08

0x09

0x0A

0x0B

0x0C

0x0D

0x0E

0x0F

0x10

0x11

0x12

0x13

0x14

0x15

0x16

0x17

0x18

0x19

0x1A

0x1B

0x1C

0x1D

0x1E

0x1F

0x20

0x21

0x22

0x23

0x24

0x25

0x26

0x27

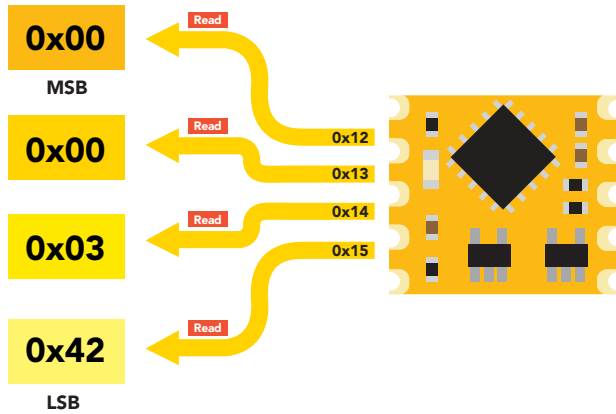
0x28

0x29



Reading Dissolved Oxygen of 8.34 mg/L

Step 1 read 4 bytes



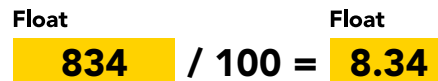
Step 2 read unsigned long



Step 3 cast unsigned long to a float



Step 4 divide by 100



OEM electrical isolation

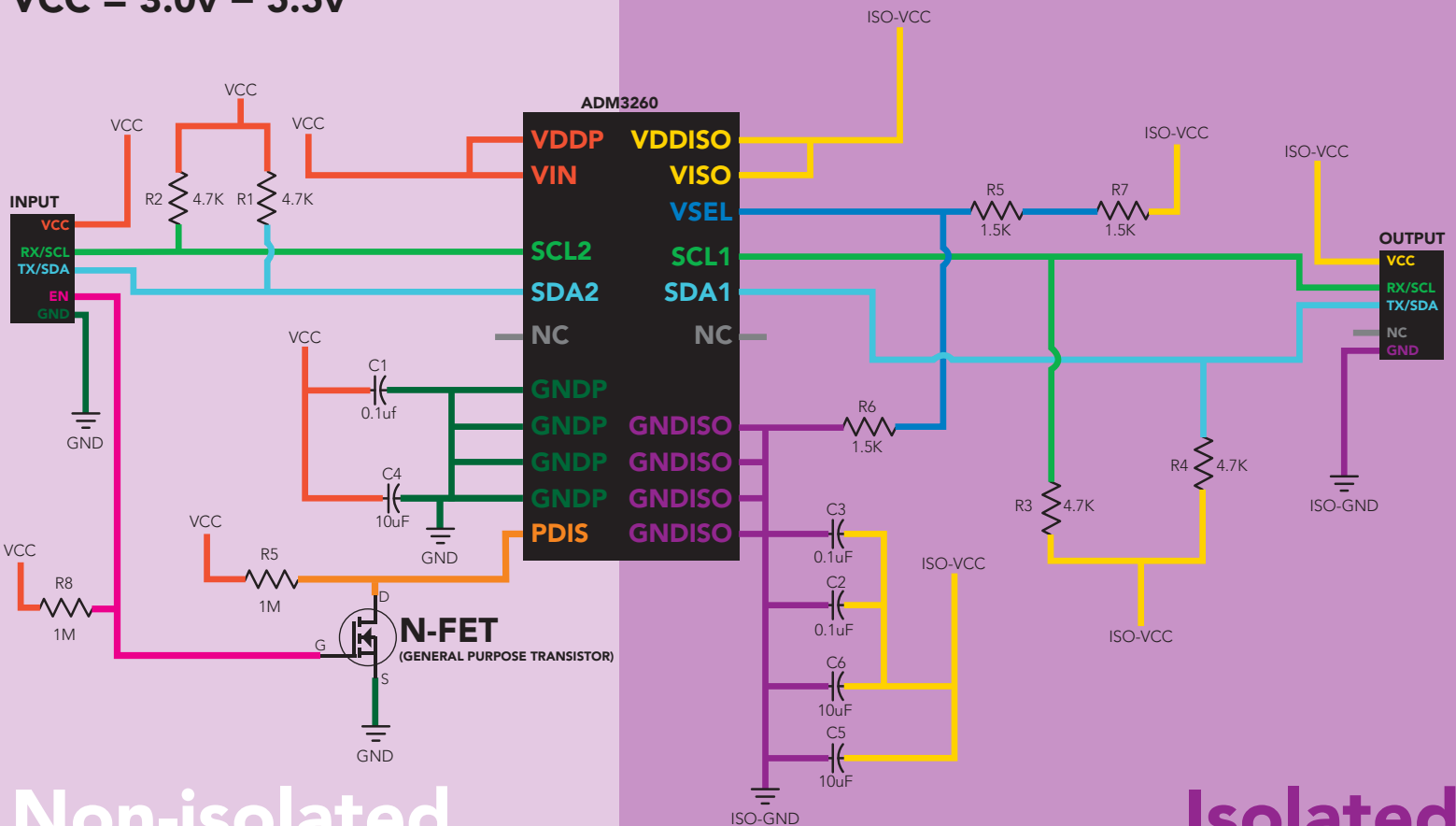
If the Dissolved Oxygen OEM™ Class Embedded Dissolved Oxygen Circuit is going to be used in consumer, industrial, or scientific /medical applications electrical isolation is strongly recommended. Electrically isolating the device will insure that the readings are accurate, the Dissolved Oxygen probe does not interfere with other sensors and that outside electrical noise does not affect the device.

The goal of electrically isolating the Dissolved Oxygen OEM™ circuit is to insure that the device no longer shares a common ground with the master CPU, other sensors and other devices that are can be traced back to a common ground. It is important to keep in mind that simply isolating the power and ground is not enough. Both data lines (SDA, SCL) and the INT pin must also be isolated.

This technology works by using tiny transformers to induce the voltage across an air gap. PCB layout requires special attention for EMI/EMC and RF Control, having proper ground planes and keeping the capacitors as close to the chip as possible are crucial for proper performance. The two data channels have a 4.7kΩ pull up resistor on both the isolated and non-isolated lines (R1, R2, R3, and R4) The output voltage is set using a voltage divider (R5, R6, and R,7) this produces a voltage of 3.9V regardless of your input voltage.

Isolated ground is different from non-isolated ground, these two lines should not be connected together.

VCC = 3.0v – 5.5v



Non-isolated

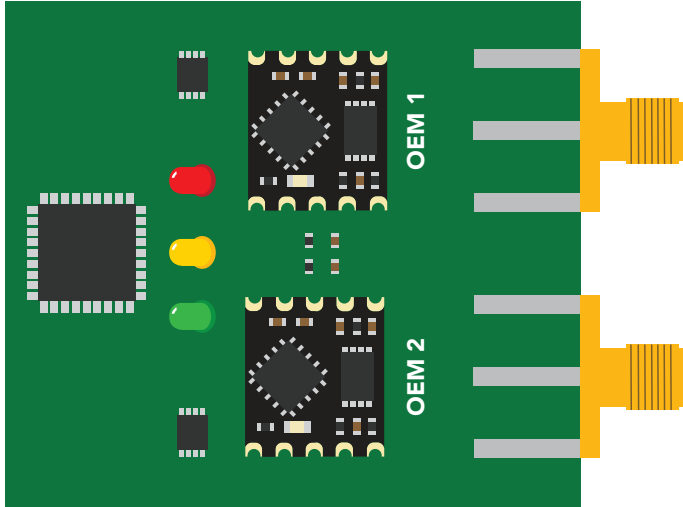
Isolated

Designing your product

The Dissolved Oxygen OEM™ circuit is a sensitive device. Special care **MUST** be taken to ensure your Dissolved Oxygen readings are accurate.

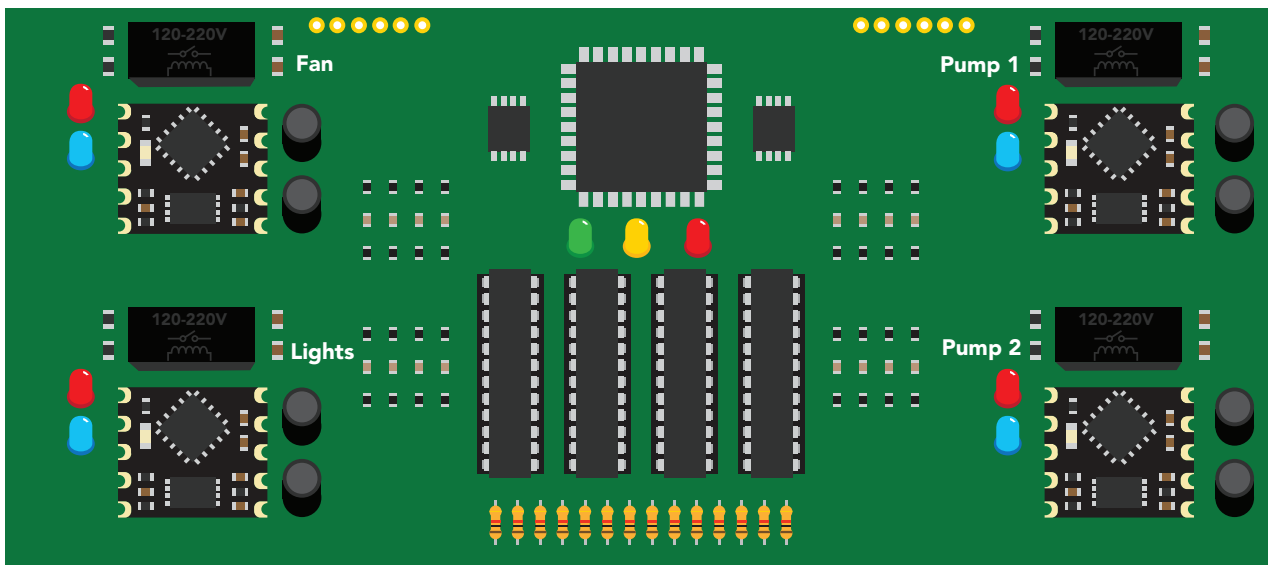
Simple design

Simple low voltage computer systems experience little to no problems during development and have no reported issues from the target customer.



Complex design

Complex computer systems with multiple voltages and switching, can lead to extended and unnecessary debugging time. Target customers can experience frequent accuracy issues.



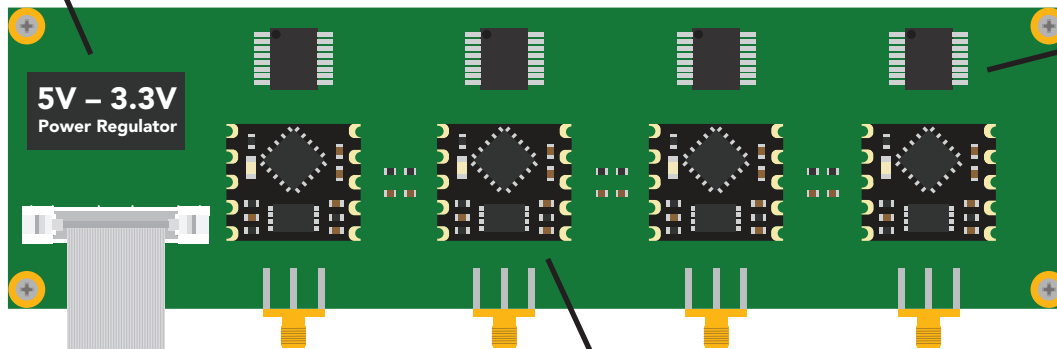
How to add chemical sensing to a complex computer system

Placing the OEM™ circuits onto their own board is **strongly recommended**; Not only does this help keep the design layout simple and easy to follow, it also significantly reduces debugging and development time.

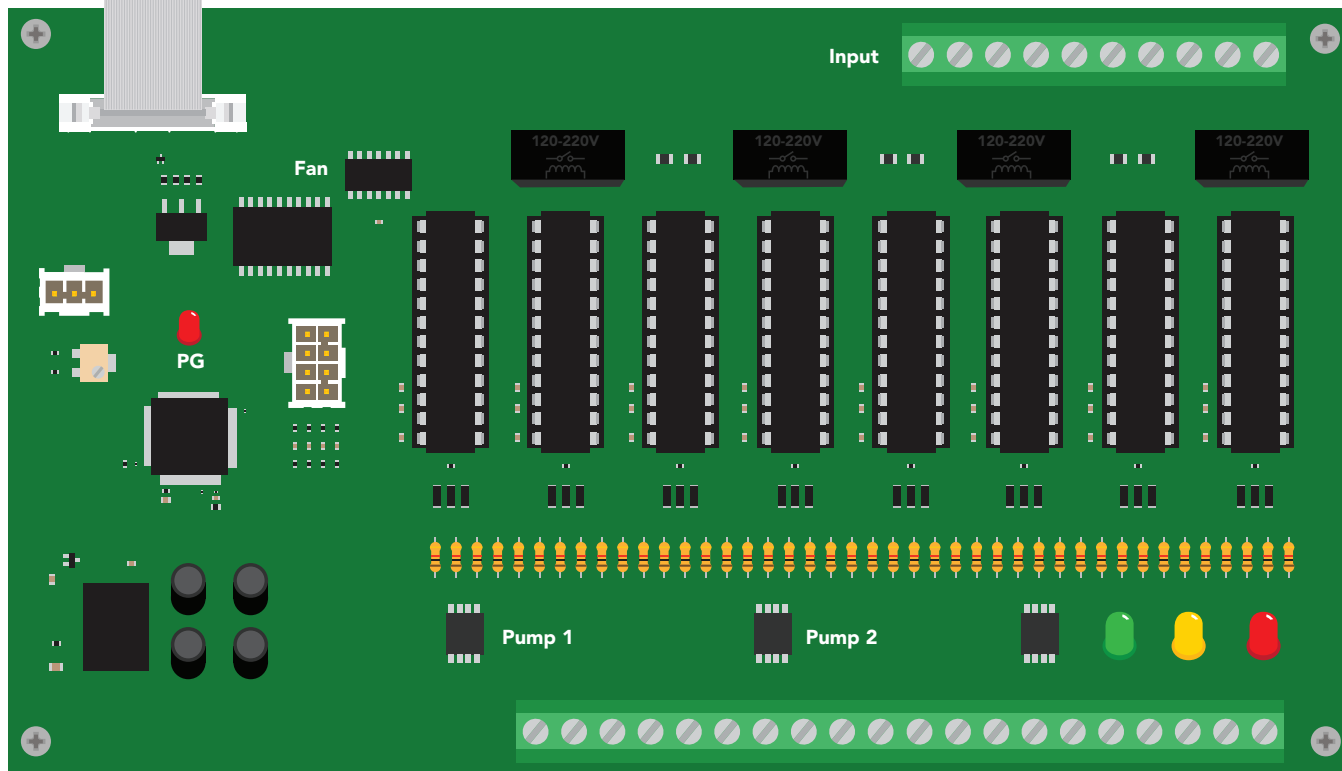
Target customers will experience accurate, stable and repeatable readings for the life of your product.

The sensor board should have its own power regulator.

All sensors should be electrically isolated.

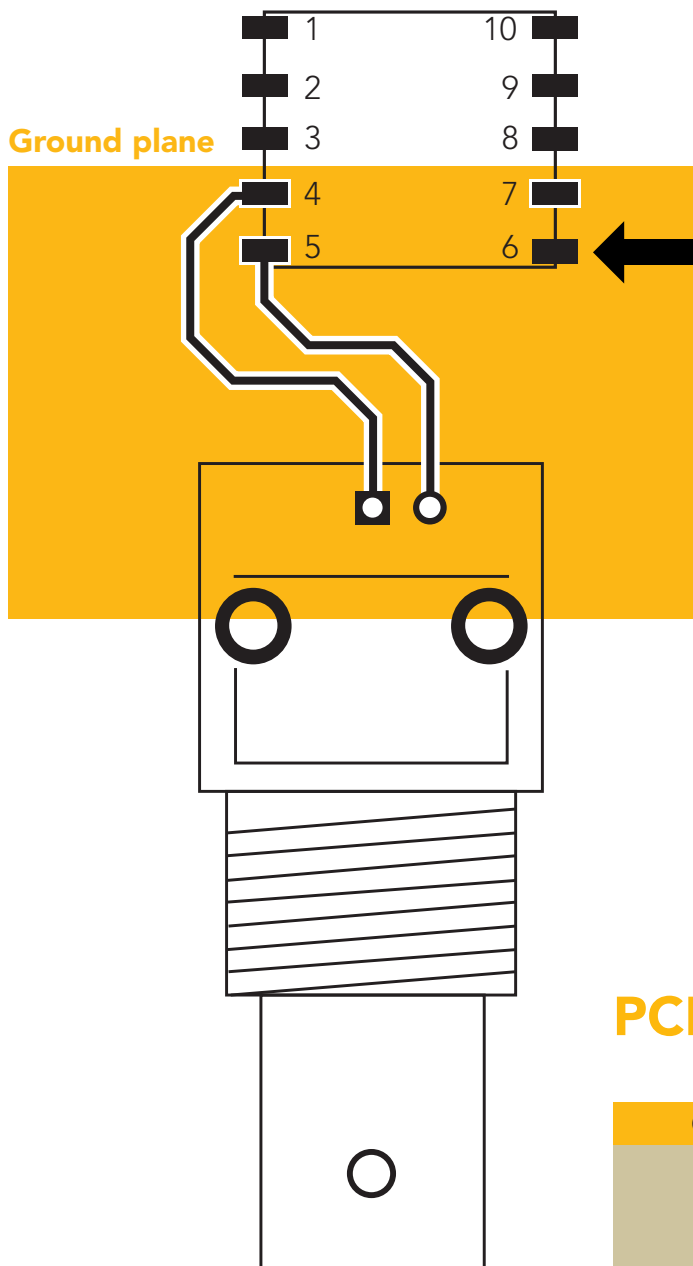


Distance between SMA/BNC connector and the OEM circuit should be as short as possible.



Designing your PCB

Create the traces as short as possible from the Dissolved Oxygen OEM™ to your probe connection. Keep the traces on your top layer, keep a distance of 1mm for any other trace. Use 0.4mm trace width. Use a ground plane underneath the traces and probe connection.



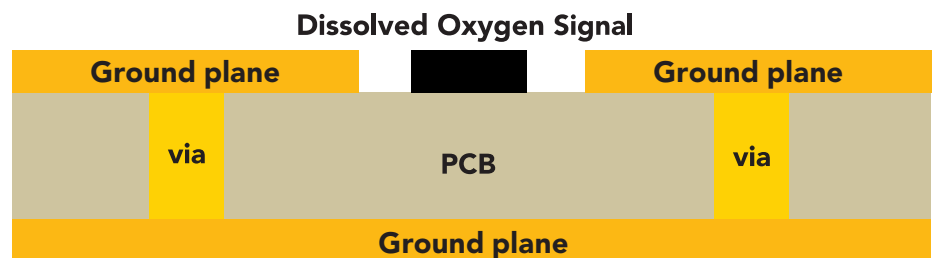
Connect pin 6 to the ground plane.

Make sure there are no vias or exposed metal underneath the D.O. OEM™ circuit.

If pin 7 (INT) is unused leave it floating, do not connect pin 7 to VCC or ground.

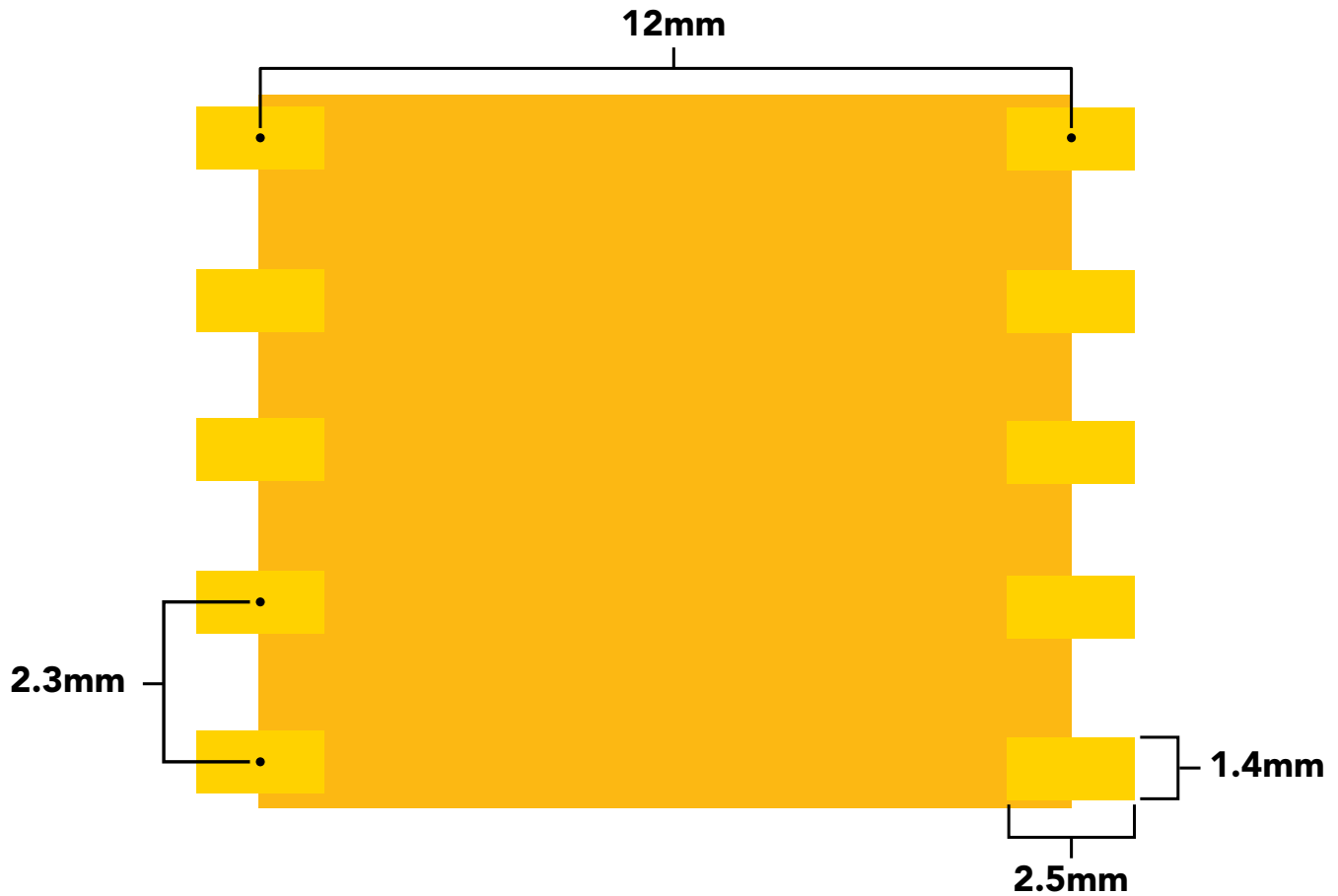
Keep the traces for both probe and probe ground as short as possible.

PCB cross section of the signal path



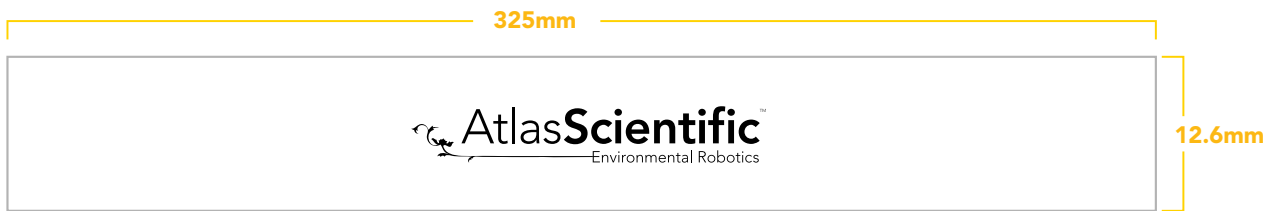
This cross section is an example of how the ground plane protects the Dissolved Oxygen signal. The ground plane should surround the Dissolved Oxygen signal, on the top layer as well as the bottom layer.

Recommended pad layout

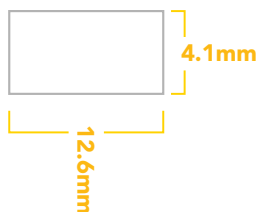


IC tube measurements

Top View



Side View

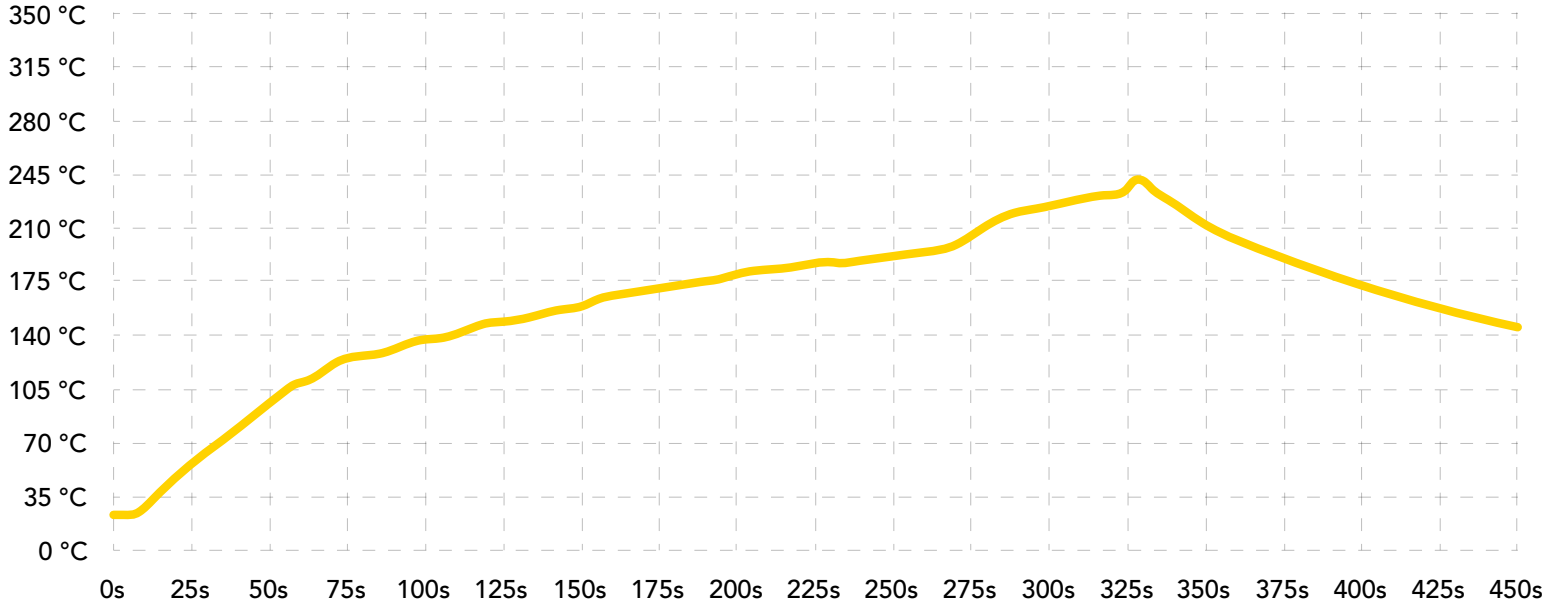


Fits 25 Dissolved Oxygen OEM™ circuits

| | inside dimensions | outside dimensions |
|---|-------------------|--------------------|
| L | 325mm | 325mm |
| W | 11.6mm | 12.6mm |
| H | 3.1mm | 4.1mm |

plastic thickness 0.5mm

Recommended reflow soldering profile



| # | Temp | Sec | # | Temp | Sec | # | Temp | Sec | # | Temp | Sec |
|----|------|-----|----|------|-----|----|------|-----|----|------|-----|
| 1 | 30 | 15 | 11 | 163 | 10 | 21 | 182 | 10 | 31 | 100 | 25 |
| 2 | 90 | 20 | 12 | 165 | 10 | 22 | 183 | 10 | 32 | 80 | 30 |
| 3 | 110 | 8 | 13 | 167 | 10 | 23 | 185 | 10 | 33 | 30 | 30 |
| 4 | 130 | 5 | 14 | 170 | 10 | 24 | 187 | 10 | 34 | 0 | 15 |
| 5 | 135 | 5 | 15 | 172 | 10 | 25 | 220 | 30 | | | |
| 6 | 140 | 5 | 16 | 174 | 10 | 26 | 225 | 20 | | | |
| 7 | 155 | 8 | 17 | 176 | 10 | 27 | 230 | 20 | | | |
| 8 | 156 | 10 | 18 | 178 | 10 | 28 | 235 | 8 | | | |
| 9 | 158 | 10 | 19 | 180 | 10 | 29 | 170 | 20 | | | |
| 10 | 160 | 10 | 20 | 181 | 10 | 30 | 130 | 20 | | | |

Pick and place usage

| Component | Machine | AF08 | Y | | | | | | | | | | |
|-----------|---------|------|---|--|--|-------|-------|--------|----------|----------|---|-------|---|
| B18 | | | | | | | | | | | | | |
| B19 | | | | | | | | | | | | | |
| B20 | | | | | | | | | | | | | |
| B21 | | | | | | | | | | | | | |
| B22 | | | | | | | | | | | | | |
| B23 | | | | | | | | | | | | | |
| B24-A1 | | | | | | | | | | | | | |
| B24-A2 | | | | | | | | | | | | | |
| B24-A3 | | | | | | | | | | | | | |
| B24-A4 | | | | | | | | | | | | | |
| B24-A5 | | | | | | | | | | | | | |
| B24-B1 | | | | | | | | | | | | | |
| B24-B2 | | | | | | | | | | | | | |
| B24-B3 | | | | | | | | | | | | | |
| B24-B4 | | | | | | | | | | | | | |
| B24-B5 | | | | | | | | | | | | | |
| B25 | X | | | | | | | | | | | | |
| B26 | X | | | | | | | | | | | | |
| B27 | X | | | | | | | | | | | | |
| B28 | X | | | | | | | | | | | | |
| B29 | X | | | | | | | | | | | | |
| B30 | X | | | | | | | | | | | | |
| B31 | X | AF08 | Y | | | 25.41 | Paper | Normal | 441.1271 | 484.4400 | A | ----- | N |
| B32 | X | AF08 | Y | | | 25.40 | Paper | Normal | 441.1300 | 497.7733 | A | ----- | N |
| C01 | | AF08 | Y | | | 25.38 | Paper | Normal | 33.7300 | 10.6600 | A | ----- | N |
| C02 | | AF08 | Y | | | 25.39 | Paper | Normal | 47.0622 | 10.6600 | A | ----- | N |

Datasheet change log

Datasheet V 3.3

Revised operating voltages on pages 1 & 5.

Datasheet V 3.2

Revised artwork on pg 8.

Datasheet V 3.1

Added "Designing you product" on pg 28.

Datasheet V 3.0

Changed 0x08 – calibration register from R/W to W.

Datasheet V 2.9

Added an attention page about soldered pins on page 3.

Datasheet V 2.8

Revised information about *designing your own D.O. board* on pg. 28

Datasheet V 2.7

Revised isolation schematic on pg. 27

Datasheet V 2.6

Revised PCB cross section illustration on pg. 28

Datasheet V 2.5

Changed "Max rate" to "Response time" on cover page.

Datasheet V 2.4

Updated cover page information & firmware changes made to device.

Datasheet V 2.3

Updated firmware changes made to device.

Datasheet V 2.2

Corrected accessible registers graphic on page 7.

Datasheet V 2.1

Corrected max rate reading on cover page.

Datasheet V 2.0

Revised entire document

Firmware updates

V4.0 – Initial release (Mar 9, 2017)

V5.0 – (August 31, 2017)

- fixed a glitch where the calibration confirm byte wouldnt load on startup

V6.0 – (November 9, 2017)

- increased range for maximum reading