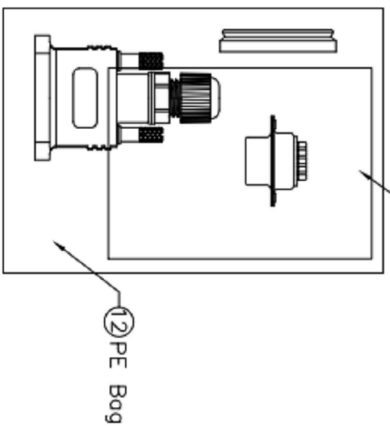
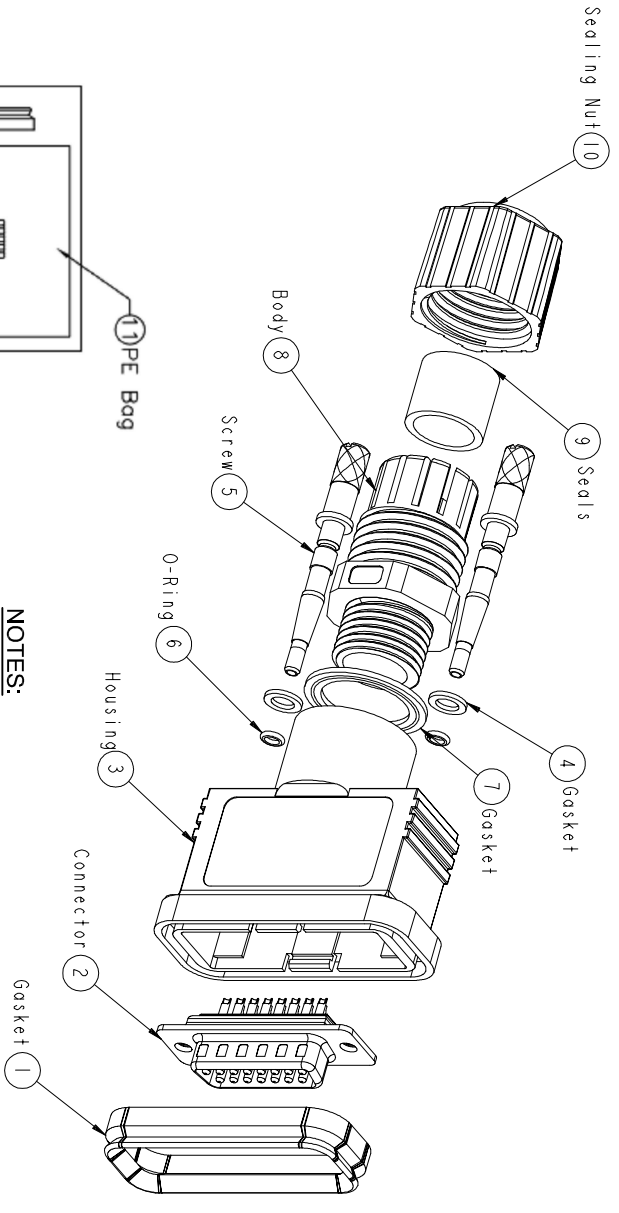
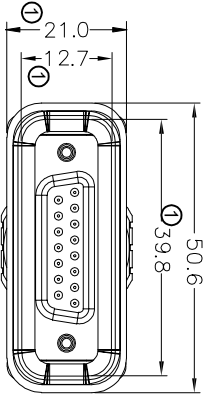
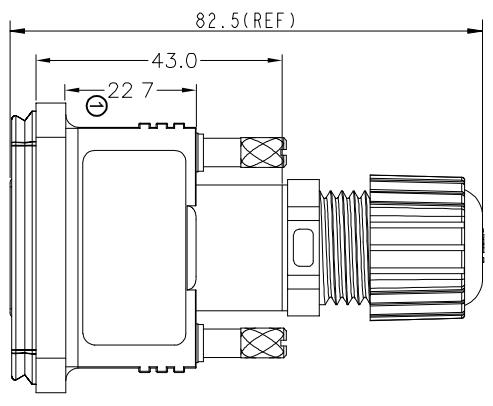


1	2	3	4	5	6	7	A
1	2	3	4	5	6	7	A
1	2	3	4	5	6	7	B
1	2	3	4	5	6	7	C
1	2	3	4	5	6	7	D
1	2	3	4	5	6	7	E
1	2	3	4	5	6	7	F
1	2	3	4	5	6	7	G
1	2	3	4	5	6	7	H



- NOTES:**
1. Waterproof rate: IP67
 2. Gasket: EPDM Black
 3. Housing: ABS Black
 4. Screw: Brass
 5. O-ring: Silicone Clear
 6. Body: Nylon Black
 7. Sealing Nut: Nylon Black
 8. Connector: D-Sub 15Pin Male, pin in full gold plated
 9. Seals for Cable OD: $\phi 6.0\text{mm} - \phi 10.0\text{mm}$
 10. One Set Unassembled in One Zipper Bag

ROHS compliant
Unit: mm

Scale	Free						Customer-No.
TOLERANCE							ASSMANN WSW-No.
UNIT	±0.5						A-DS15-HOOD-WP
DIM	TOL						Drawing-No.
		①	Cancel "A" logo&correct dimensions	03.04.2018	Amy		ASS 6259 CO
		②	Drawn	22.04.2014	Joanna		rev01
Angle	TOL		Modification				Replace
							Sheet



Date	Name	Customer-No.
22.04.2014	Joanna	ASSMANN WSW-No.
03.04.2018	Amy	A-DS15-HOOD-WP

ASS 6259 CO

rev01

Replace

Sheet