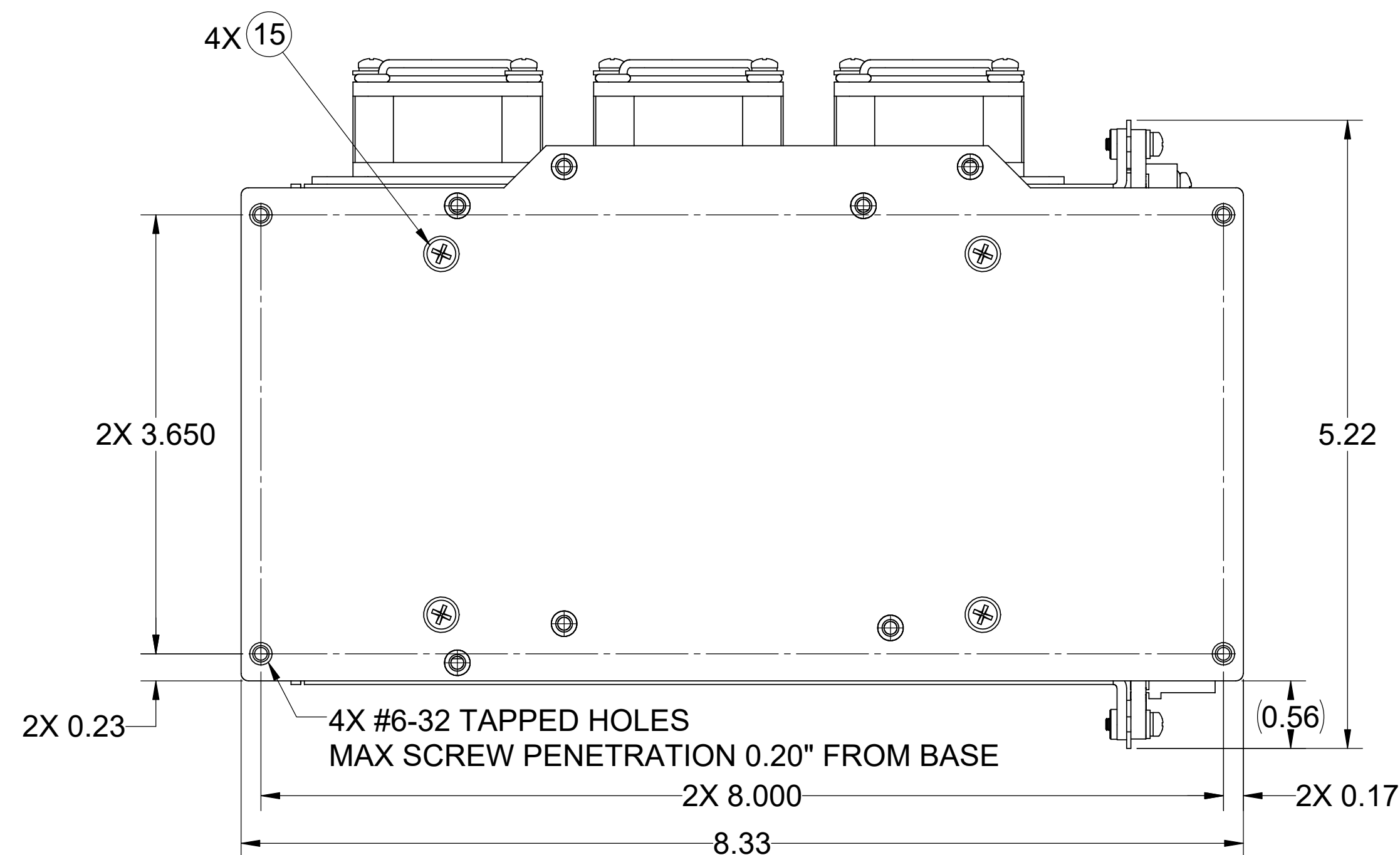
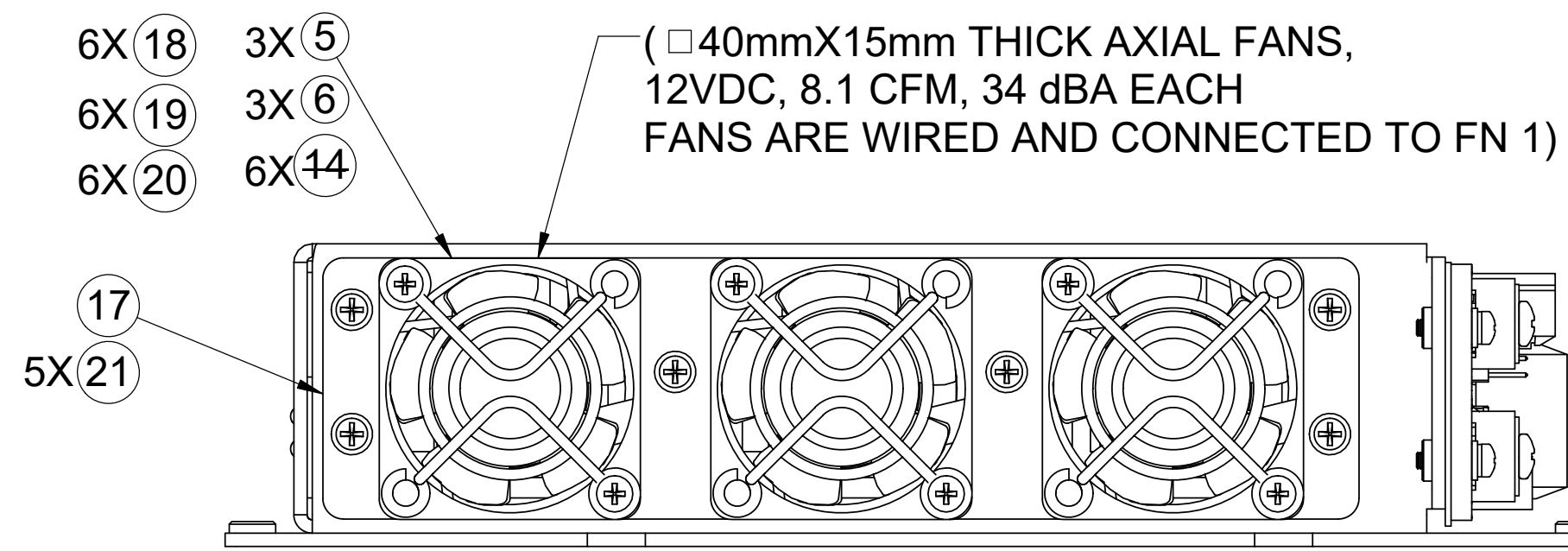
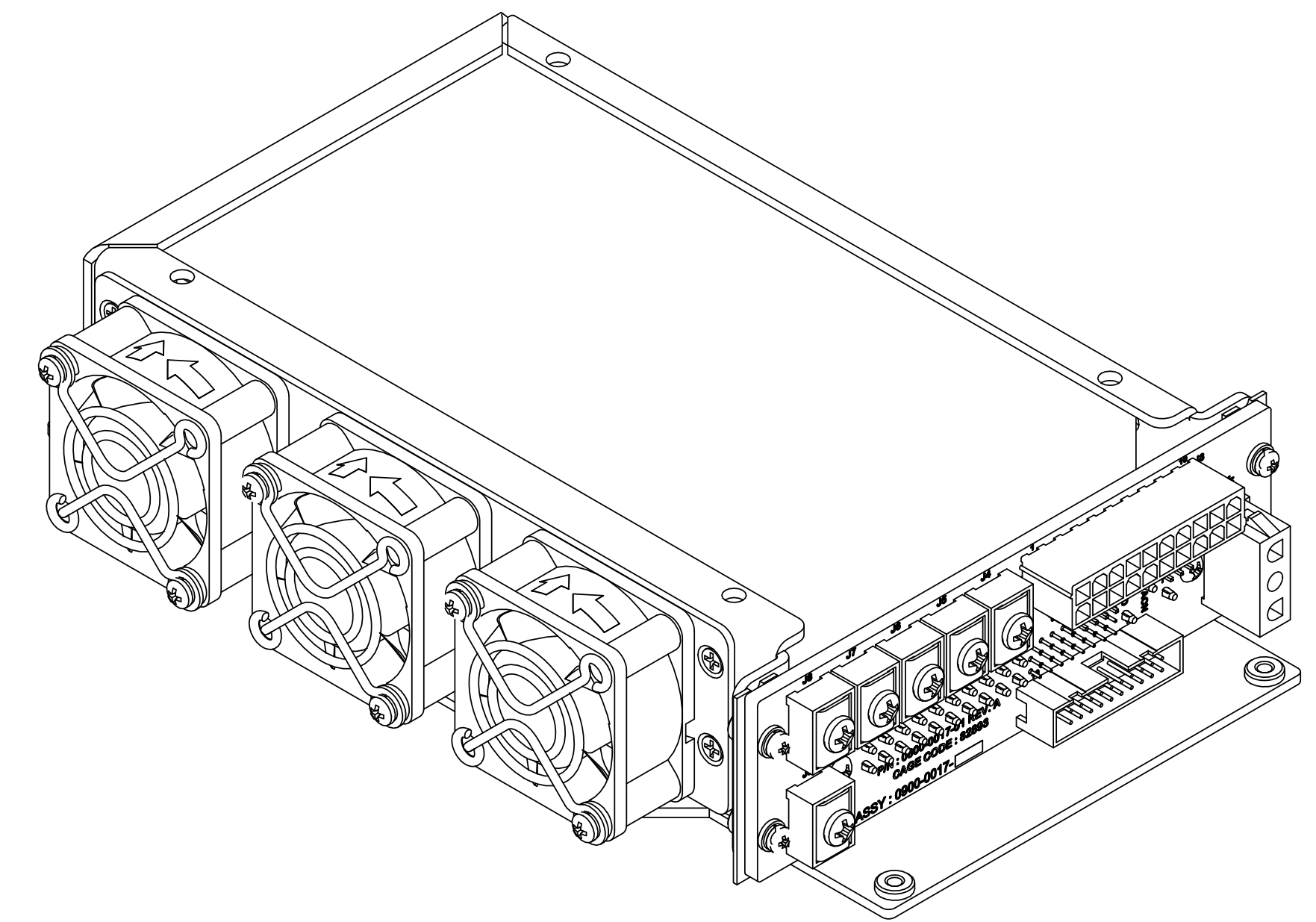
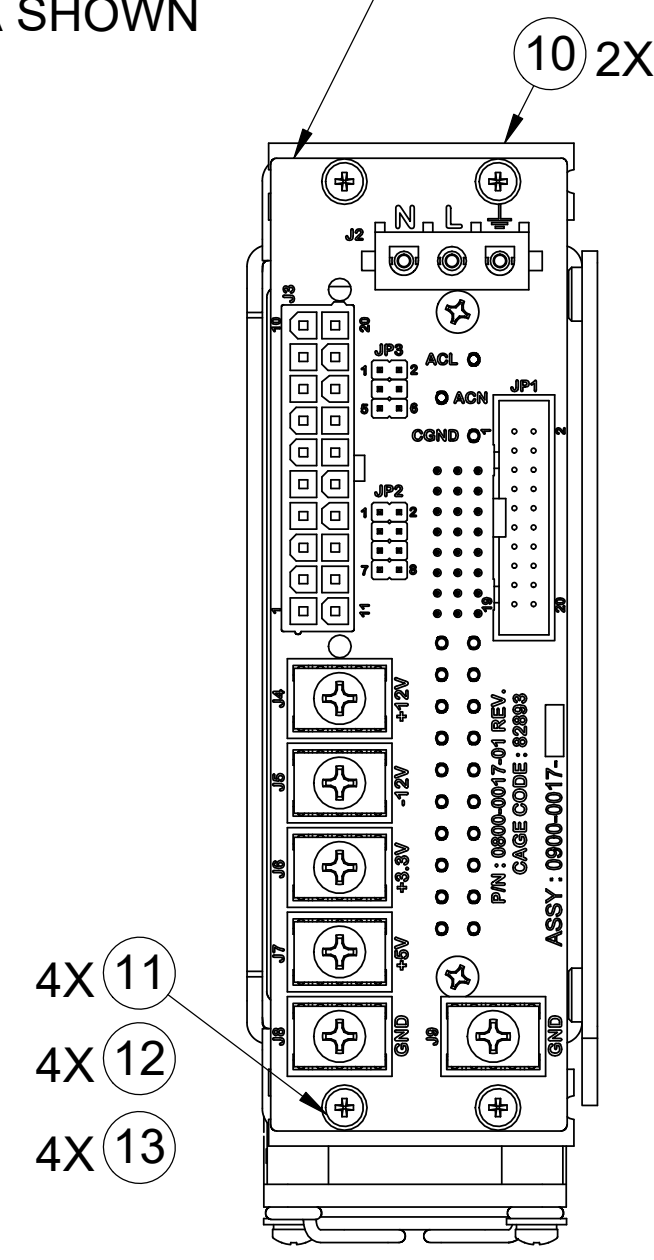
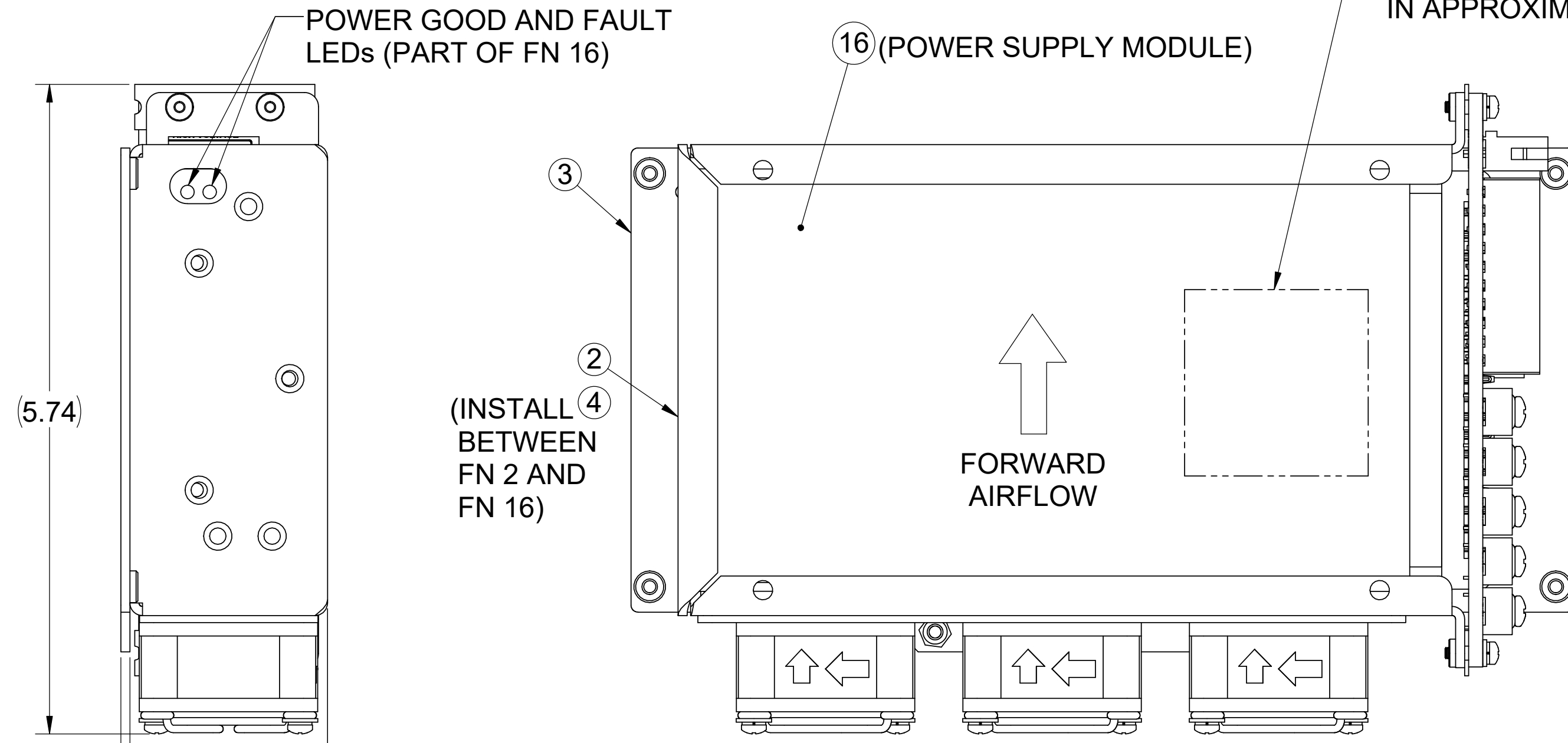


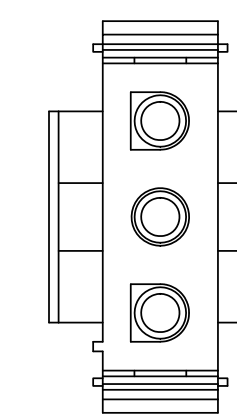
PROPRIETARY AND CONFIDENTIAL  
 THE INFORMATION CONTAINED IN THIS DRAWING IS THE SOLE PROPERTY OF  
 VECTOR ELECTRONICS & TECH., INC. ANY REPRODUCTION IN PART OR AS A WHOLE  
 WITHOUT THE WRITTEN PERMISSION OF VECTOR ELECTRONICS & TECH., INC. IS  
 PROHIBITED.

REVISIONS				
ZONE	REV	DESCRIPTION	DATE	APPROVED
ALL	A	INITIAL RELEASE	08/23/16	
ALL	B	ADDED FN 17, 18, 19, 20, 21. REMOVED FN 14	01/31/18	

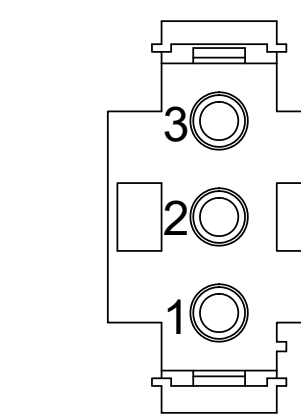
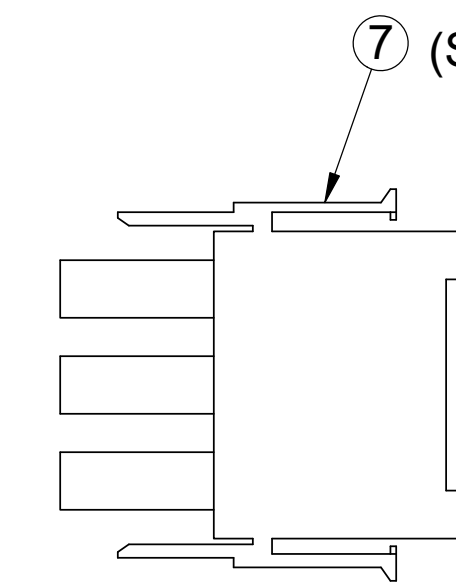


AC OR DC IN CONNECTOR PINOUT

PIN	DESCRIPTION
1	CHASSIS GND
2	AC LINE / DC_IN
3	AC NEUTRAL / DC_RTN



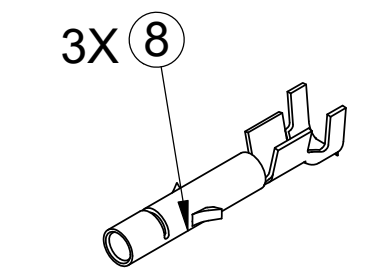
MATING SIDE  
 MATES WITH J2 (AC OR DC IN)  
 (CONNECTOR VECTOR #76603001)



WIRING SIDE

7 (SUPPLIED LOOSE)

(SUPPLIED LOOSE)



CRIMP CONTACTS FOR FN 7  
 (SOCKETS VECTOR #78601004)

SEE SEPARATE PARTS LIST

UNLESS OTHERWISE SPECIFIED  
 DIMENSIONS ARE IN INCHES  
 TOLERANCES:  
 DEC X.X ±0.1  
 DEC X.XX ±0.03  
 DEC X.XXX ±0.010  
 FRACTIONS ±0.050  
 ANGLES ±1°  
 GD & T : ASME Y14.5-2009

APPROVALS	NAME	DATE
DRAWN	TRUSHAR	08/23/16
CHECKED		
ENGINEER		
QA		

MATERIAL	2
FINISH	4

THIRD ANGLE PROJECTION

**VECTOR** ELECTRONICS & TECHNOLOGY, INC. www.vectorelect.com  
 11115 VANOWEN ST., NORTH HOLLYWOOD, CA 91605

# POWER SUPPLY EMBEDDED

SIZE	DWG. NO.	REV
D	92100139-01 92100117-01	B

SCALE: NTS    CAGE CODE: 82893    SHEET 1 OF 1

1. INTERPRET DRAWING PER ASME Y14.100

NOTES : UNLESS OTHERWISE SPECIFIED