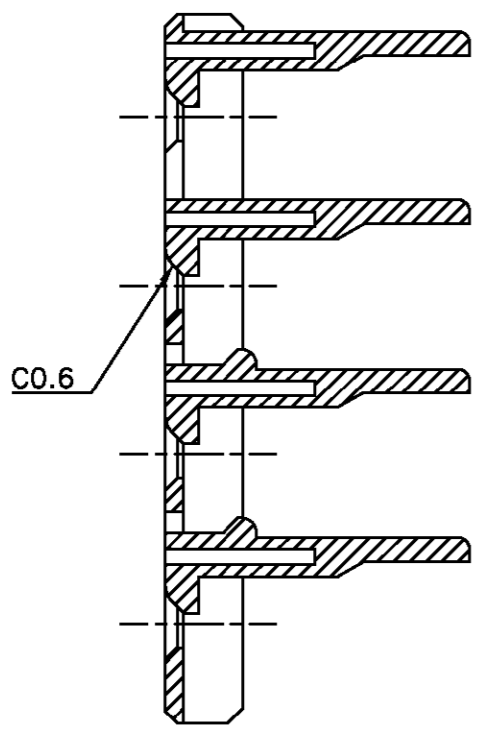
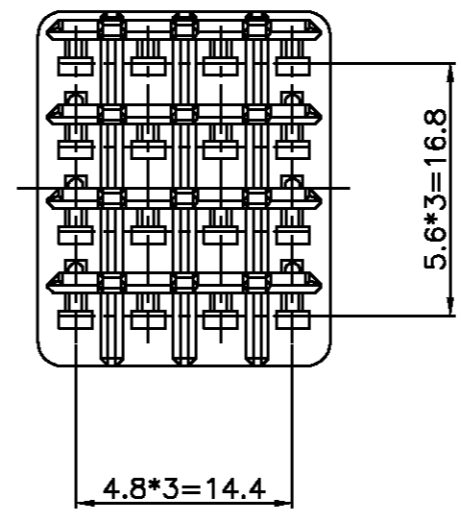
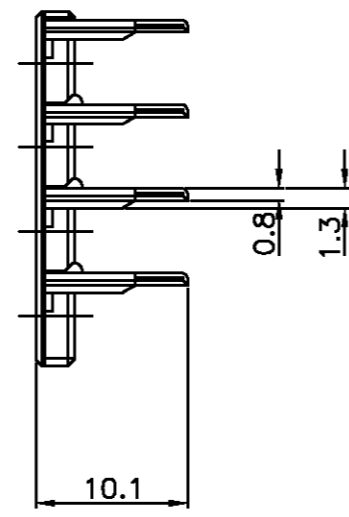
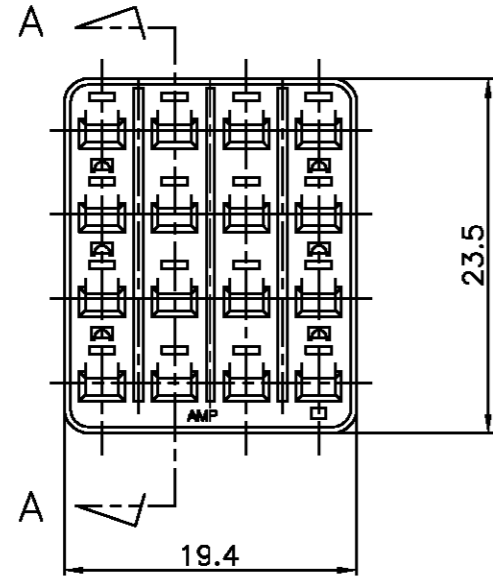
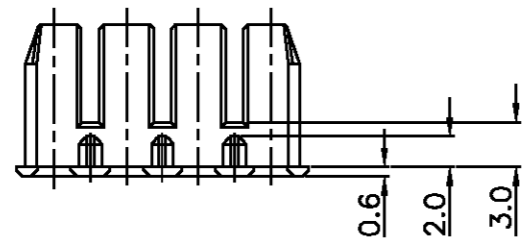


P	LTR	DESCRIPTION	DATE	DWN	APVD
A1		REVISED PER ECO-11-005294	12APR11	RK	HMR



SECT A-A

NOTE;  
1. TO BE MATED WITH PLUG HSG(P/N 368048)  
SMOOTHLY

DIMENSIONS: mm		TOLERANCES UNLESS OTHERWISE SPECIFIED:		①		YELLOW		PBT		16POS. DBL PLATE FOR PLUG HSG ECONOSEAL J-MARKIT <sup>®</sup> CONNECTOR		368049-1	
3rd ANGLE PROJECTION		0 <XX<10 ± 0.2 10<XX<30 ± 0.25 30<XX ± 0.3 ANGLES ± 3°		DWN: YD. LEE CHK: BM JANG APVD: CS LEE		COLOR		MATERIAL		NAME		PART NUMBER	
MATERIAL: SEE TABLE		COLOR: SEE TABLE		PRODUCT SPEC APPLICATION SPEC		TE Connectivity		16POS. DBL PLATE FOR PLUG HSG ECONOSEAL J-MARKIT <sup>®</sup> CONNECTOR		SIZE: A3		CAGE CODE: 00779	
				WEIGHT		DRAWING NO: C= 368049		RESTRICTED TO		SCALE: 2/1		SHEET: 1 OF 1	
				CUSTOMER DRAWING								REV: A1	