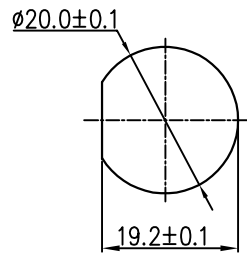
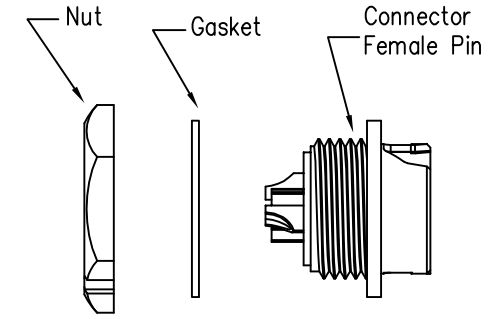
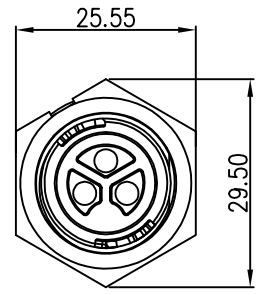
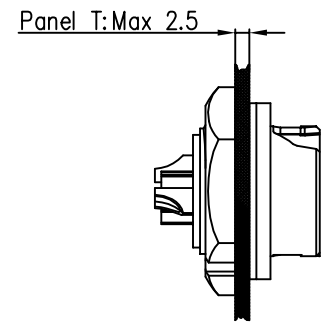
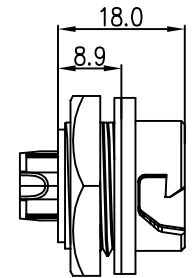


REV.	ECN NO.	DESCRIPTION	SIGN	DATE
C1	N/A	INITIAL DRAWING	Liu	2020/05/29



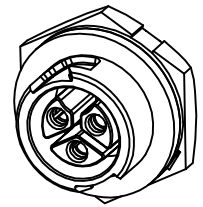
Recommended Panel Cut-Out



23XXX635-03  
Pin Number

2 Pin	3 Pin
P/N: 23002635-03	P/N: 23003635-03
Pin Assignments Front View	

- Specification:
- 1.Operation Temperature: -45°C~105°C.
  - 2.Insulation Resistance: 100MΩ at DC500V.
  - 3.Contact Resistance: <math>< 10\text{m}\Omega</math>.
  - 4.Withstand Voltage: 2000V AC
  - 5.Operating Current: 20A
  - 6.Operating Voltage: AC 300V
  - 7.Waterproof Rate: IP67 (Mated)
  - 8.Housing: Nylon, Black
  - 9.Female Pin: Copper Alloy, Gold Plated
  - 10.Gasket: Silicon Gray
  - 11.Panel Nut: Nylon, Blue
  - 12.Torque Rate: 0.8~1.0N · m
  - 13.RoHS Compliant.
  - 14.UL Compliant.
  - 15.Mating Cap P/N: 806-00103-00



**CHOGORI**

UNIT:mm		DESCRIPTION Middle Series Push Lock Rear Mount With Female Pin	PART NO 23XXX635-03	DRAWN BY Liu	DATE 2020/05/29
TOLERANCE .X ±0.25 .XX ±0.15 .XXX ±0.05 ANGLES ±1°	SCALE 1:1	SHEET 1 OF 1	DWG NO	CHECKED BY Mo	DATE 2020/05/29
REV. C1	SIZE A4	* : Inspection Item	CUSTOMER	APPROVED BY Adley	DATE 2020/05/29

THIS INFORMATION IS CONFIDENTIAL AND IS DISCLOSED TO YOU ON CONDITION THAT NO FURTHER DISCLOSURE IS MADE BY YOU TO OTHER THAN CHOGORI PERSONNEL WITHOUT AUTHORIZATION FROM CHOGORI CORP.