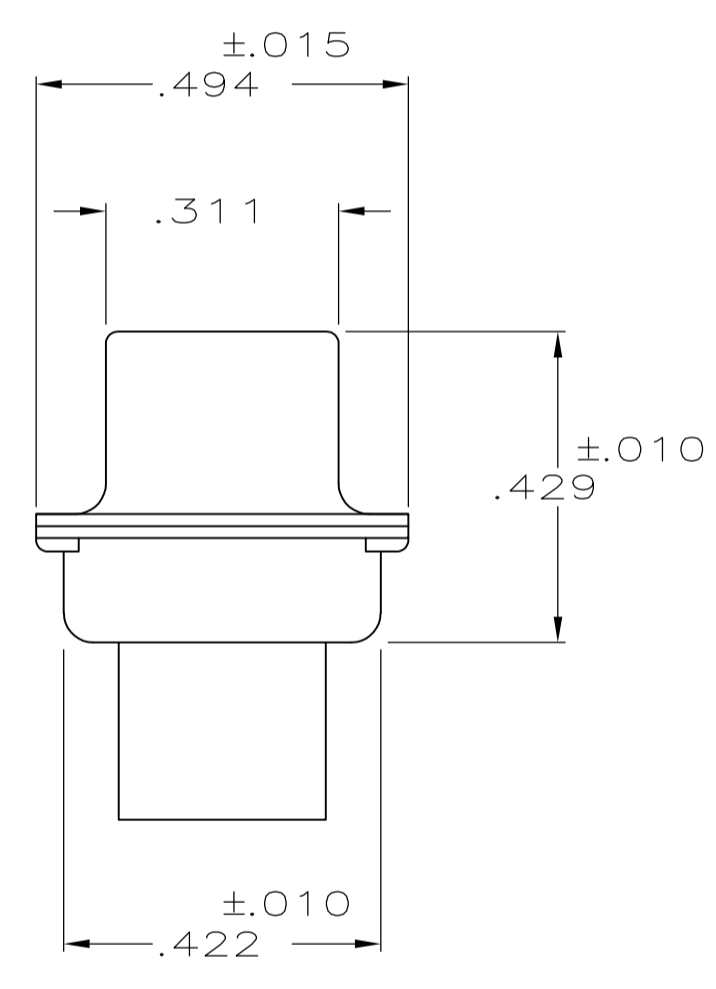
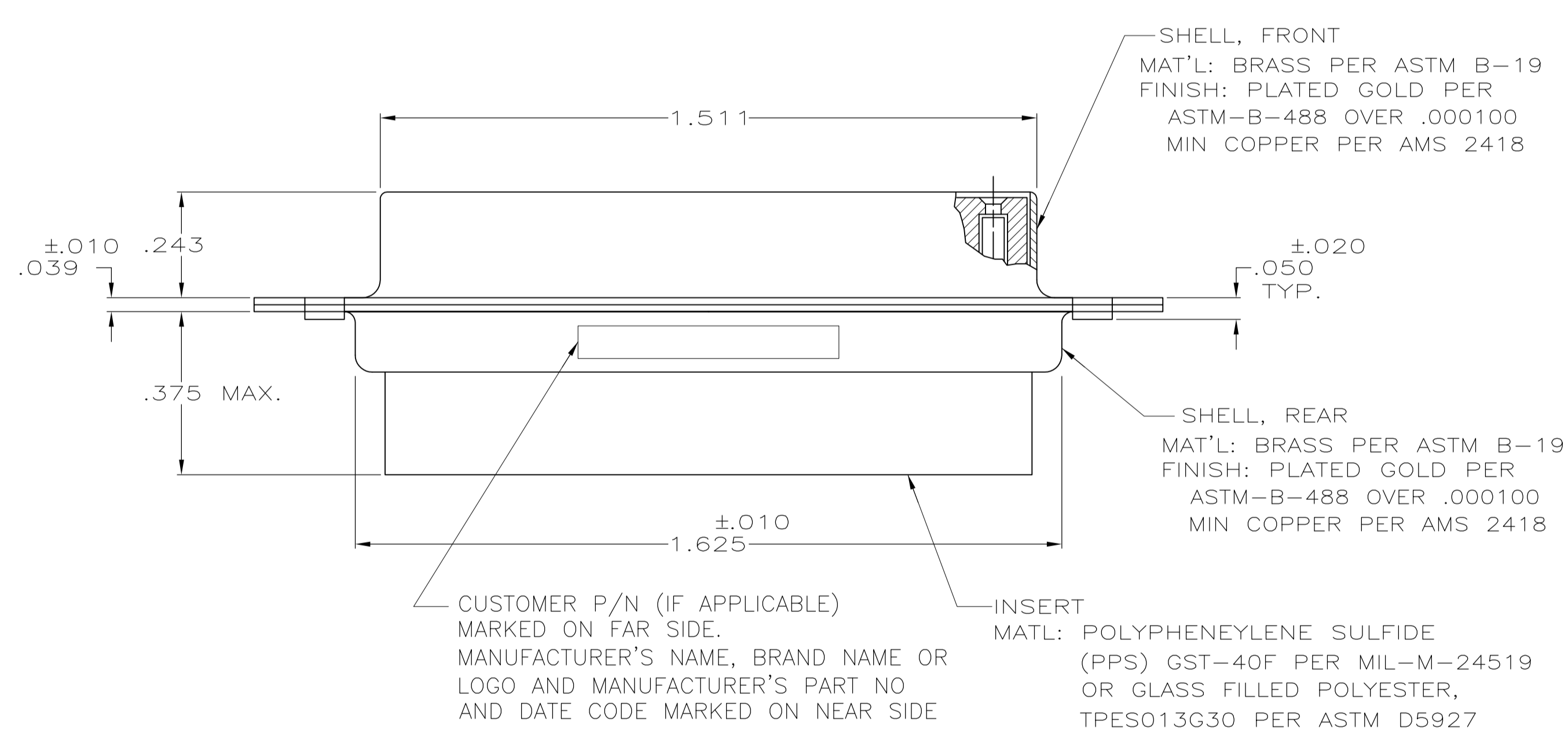
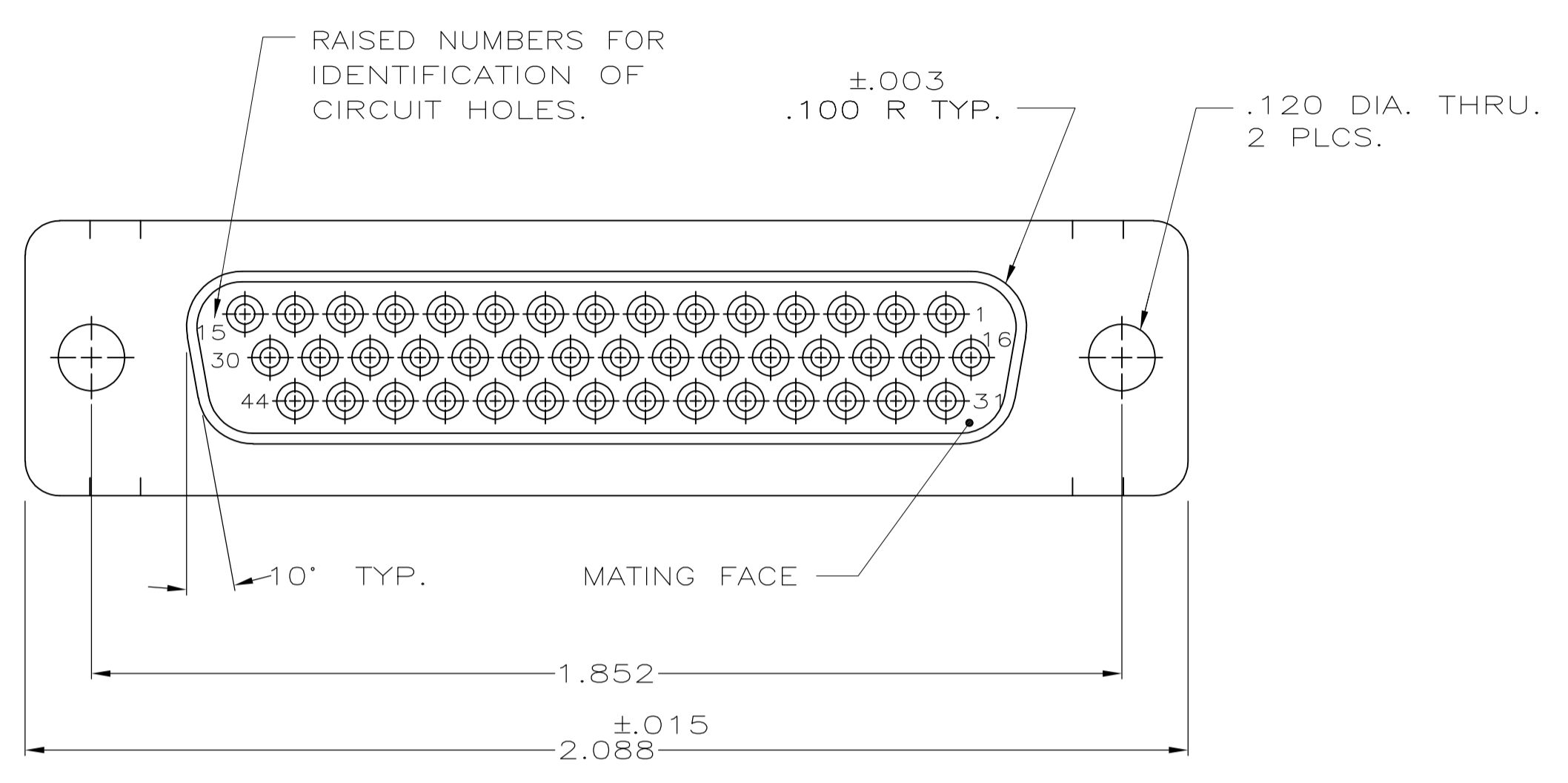


1. THIS RECEPTACLE WILL MATE WITH ANY SIZE 3,44 POSN. PLUG IN AMPLIMITE SERIES.
  2. CONNECTOR SUPPLIED WITHOUT CONTACTS; SHOWN FOR ILLUSTRATION ONLY.
  3. BE-CU RETENTION CLIPS ARE INCLUDED IN INSERTS AND INSTALLED WITH TINES POINTING TOWARDS MATING FACE.
  4. OVERALL DIMENSIONS DO NOT INCLUDE RAISED CAVITY IDENTIFICATION
  5. MARKING FAR SIDE REFERS TO WIDE SIDE OF KEYSTONE. NEAR SIDE REFERS TO NARROW SIDE OF KEYSTONE
- ⚠ 100% INSPECTION REQUIRED PER BOEING 1B01:  
 A. VISUAL  
 B. DWV  
 C. IR
7. CUSTOMER REQUIRES SINGLE LOT DATE CODE.



⚠	1B01 - 003RHW	AS SHOWN	⚠	211645-2
⚠	1B01 - 003	AS SHOWN	⚠	211645-1
REMARKS	CUSTOMER MARKING	DESCRIPTION	PART NO.	

THIS DRAWING IS A CONTROLLED DOCUMENT.		DWN: D. ERDMAN 3-8-84	Tyco Electronics Corporation Harrisburg, PA 17105-3608	
DIMENSIONS: INCHES		CHK: B. YOHN 4-26-84	NAME: G. SACUNAS 7-5-84	
TOLERANCES UNLESS OTHERWISE SPECIFIED:		PRODUCT SPEC	RECEPTACLE ASS'Y, AMPLIMITE 44 POSN., SIZE 3, SERIES 90, NON-MAGNETIC	
0 PLC ± -		APPLICATION SPEC	RESTRICTED TO	
1 PLC ± -		WEIGHT	A1 00779 C=211645	
2 PLC ± -		CUSTOMER DRAWING	SCALE NTS SHEET 1 OF 1 REV F	
3 PLC ± .005				
4 PLC ± -				
ANGLES ± -				
FINISH SEE CALLOUT				