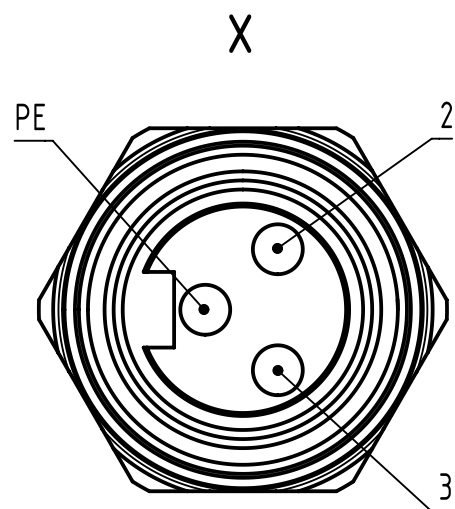


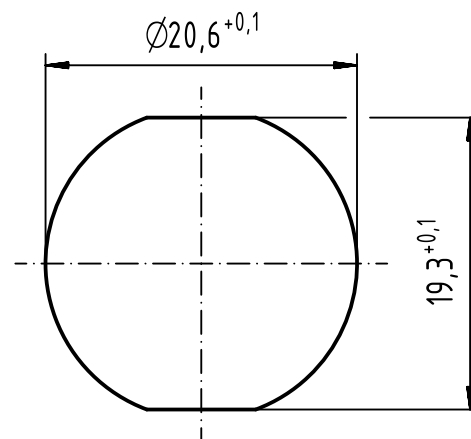
7/8" 2+PE pole, female PFT front mounting connector



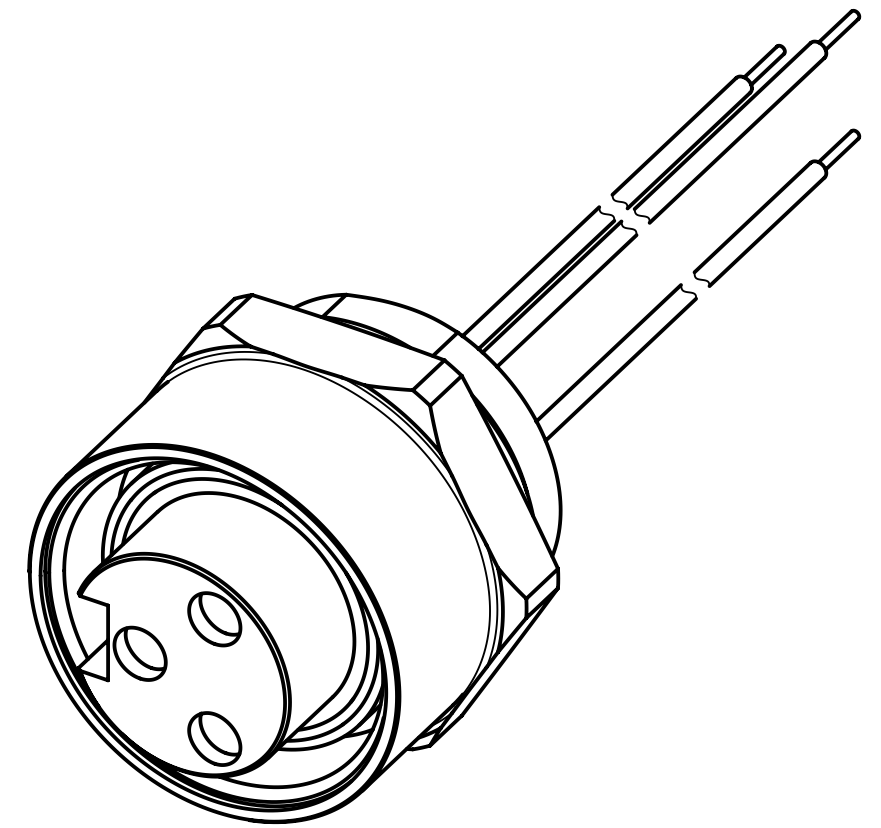
Loading-Plan:

- PE green-yellow
- 2 brown
- 3 blue

Recommended panel cut-out



Minimum wall thickness 2.5mm



- Protection level: IP67
- Temperature range: -30°C ... +75°C

|           |             |               |           |
|-----------|-------------|---------------|-----------|
| 1         | 21043162301 | AWG 18, PVC   | 0.5       |
| Cont. No. | Part - no.  | Type of cable | Dim. a[m] |

|   |                       |                    |  |                          |                 |   |
|---|-----------------------|--------------------|--|--------------------------|-----------------|---|
|   | All rights reserved   |                    | Scale 2:1<br>Free size tol.            |                          | Ref.<br>Sub.    |   |
|   | Department EC PD - RO |                    | Created by TAMAS<br>Inspected by AVRAM | Standardisation HOFFMANN | Date 2014-08-25 | State Final Release                                     |
| HARTING Electronics GmbH<br>D-32339 Espelkamp |                       |                    | Title 7/8" Cable Assembly              |                          |                 | Doc-Key / ECM-Nr.<br>100586934/UGD/009/B<br>50000079096 |
| Type TB                                       |                       | Number 210431623XX |  | Rev. B                   | Page 1/1        |   |