

## 2. DESCRIPTION

Chicklet Removal Tool 1673952-1 consist of legs (Figure 1) which protrude into and around the HM-Zd chicklets, enabling the operator to remove chicklets from pc boards.

## 3. CHICKLET REMOVAL PROCEDURE

1. Remove the receptacle housing using Receptacle Housing Removal Tool 1583224-1.
2. Place the tool over the chicklet to be removed, as shown in Figure 2.
3. Push the tool over the chicklet, with the rear leg going down behind the chicklet, the front leg going down in front of the chicklet, and the double middle leg straddling the chicklet.
4. Be sure the tool is bottomed on the chicklet.
5. With downward pressure, rock the tool forward.

### NOTE



*It is necessary to rock the tool forward first. Otherwise the tool will slip off the chicklet.*

6. Continue the back and forth rocking motion until the chicklet is removed.

TE CONNECTIVITY PART NUMBER	DESCRIPTION
1673952-1	HM-Zd Chicklet Removal Tool, Three-Pair Connectors

Figure 1

## 1. INTRODUCTION

These instructions cover the use of Chicklet Removal Tool 1673952-1. Refer to Figure 1. The tool was designed to be used in conjunction with HM-Zd Receptacle Housing Removal Tool (1583224-1) to HM-Zd Receptacle Connectors from the printed circuit (pc) board.

### NOTE



*This tool removes the HM-Zd chicklets after the HM-Zd Receptacle Housing has been removed.*

### NOTE



*All dimensions on this document are in metric units [with U.S. customary units in brackets], unless otherwise specified. Figures are for reference only, and are not drawn to scale.*

Read these instructions and understand them before using the chicklet removal tools and the HM-Zd Receptacle Removal Tool.

Receptacle Housing Removed

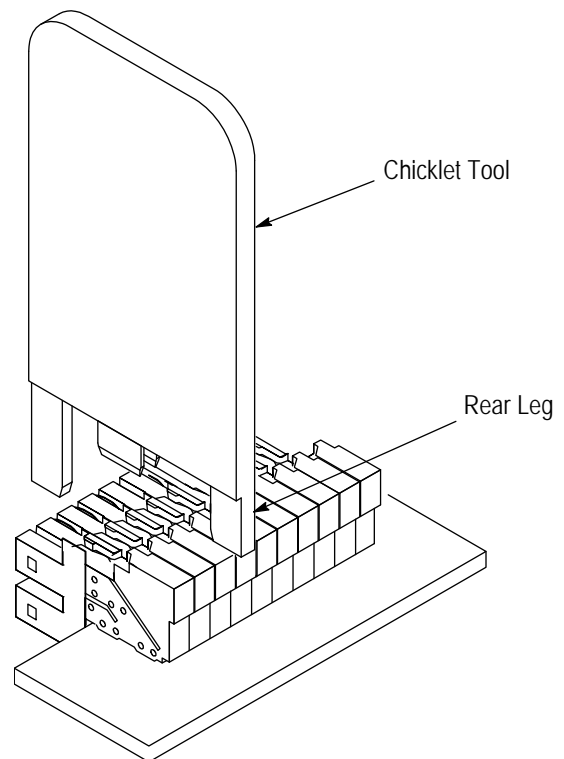


Figure 2

**4. TOOL INSPECTION**

It is recommended that the tool be inspected, using Figure 3, immediately upon its arrival in your plant to ensure that it has not been damaged during shipment.

**5. MAINTENANCE/INSPECTION**

**5.1. Daily Maintenance**

It is recommended that each operator be made aware of, and responsible for, the following steps of daily maintenance:

1. Remove dust, moisture, and other contaminants with a clean, soft brush, or lint-free cloth. Do NOT use objects that could damage the tool or any of its components.
2. When the tool is not in use, store it in a clean, dry area.

**5.2. Periodic Inspection**

Regular inspections should be performed by quality control personnel. A record of scheduled inspections

should remain with the tool or be supplied to supervisory personnel responsible for the tool. The inspection frequency should be based on the amount of use, working conditions, operator training and skill, and established company standards.

**6. REPLACEMENT AND REPAIR**

Order replacement seating tools through your TE Connectivity Representative, or call 1-800-526-5142, or send a facsimile of your purchase order to 1-717-986-7605 or write to:

CUSTOMER SERVICE (038-035)  
 TYCO ELECTRONICS CORPORATION  
 PO BOX 3608  
 HARRISBURG PA 17105-3608

For seating tool repair service, please contact a TE Representative at 1-800-526-5136.

**7. REVISION SUMMARY**

- New logo

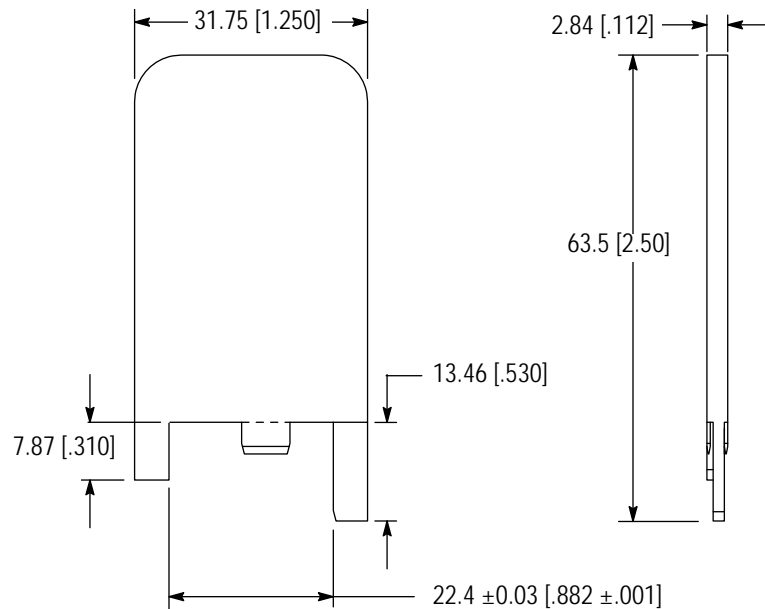


Figure 3