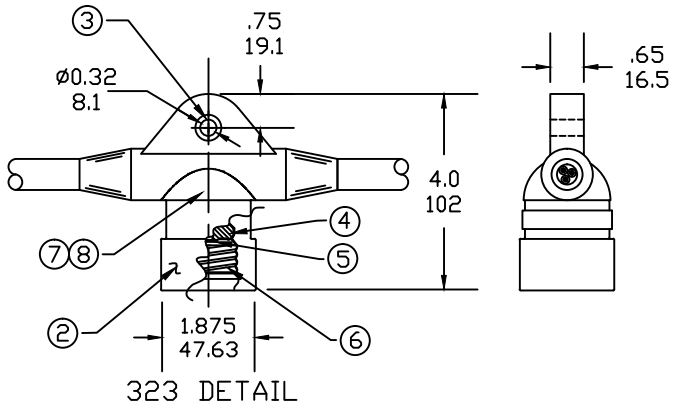


[QTY-55] 323 MOLDED SOCKETS  
CORD #12/3 SOW BLACK



ITEM	DESCRIPTION	MATERIAL
1	#12-3 BLACK CABLE	SOOW/COPPER
2	MOLDED SOCKETS BLACK	NITRILE/PVC
3	EYELET	BRASS
4	BUTTON WHITE	PORCELAIN
5	RIVET	BRASS
6	SCREWSHELL	COOPER
7	1 CONDUCTOR WIRE BLACK	NEOPRENE
8	1 CONDUCTOR WIRE WHITE	NEOPRENE

CUSTOMER APPROVAL DRAWING EC NO: IPC2013-0082 DRWN: HKNEELAN 2012/07/18 CHKD: HKNEELAN APPR: DTITUS 2012/08/03	QUALITY SYMBOLS	GENERAL TOLERANCES (UNLESS SPECIFIED)		DIMENSION STYLE INCH		SCALE NTS	DESIGN UNITS INCH	THIRD ANGLE PROJECTION
	▽=0	4 PLACES	mm ±---	INCH ±---	DRAWN BY HKNEELAN	DATE 2012/07/18	TITLE <b>STRINGLIGHT 69.5 ALL BLK (55) 323 SCKTS, 1' SPNGS 15' LDR AND 6" TAIL</b>	
	▽C=0	3 PLACES	±---	±---	CHECKED BY HKNEELAN	DATE 2012/07/18		
		2 PLACES	±0.05	±---	±---	APPROVED BY DTITUS	DATE 2012/08/03	MOLEX INCORPORATED
	1 PLACE	±0.10	±---	±---	ANGULAR ±.5°		MATERIAL NO. 1301060174	DOCUMENT NO. SD-130106-034
	DRAFT WHERE APPLICABLE MUST REMAIN WITHIN DIMENSIONS			SIZE A		THIS DRAWING CONTAINS INFORMATION THAT IS PROPRIETARY TO MOLEX INCORPORATED AND SHOULD NOT BE USED WITHOUT WRITTEN PERMISSION		

A

A

B

B

C

C

D

D

E

E

6

5

4

3

2

1