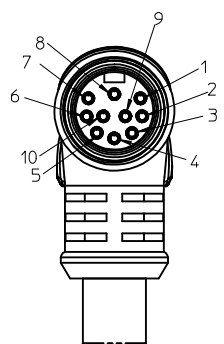
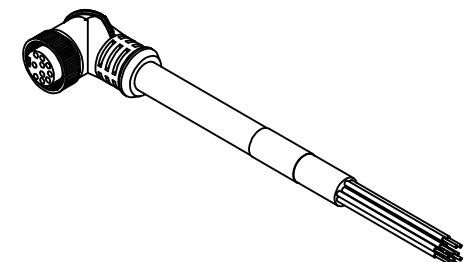
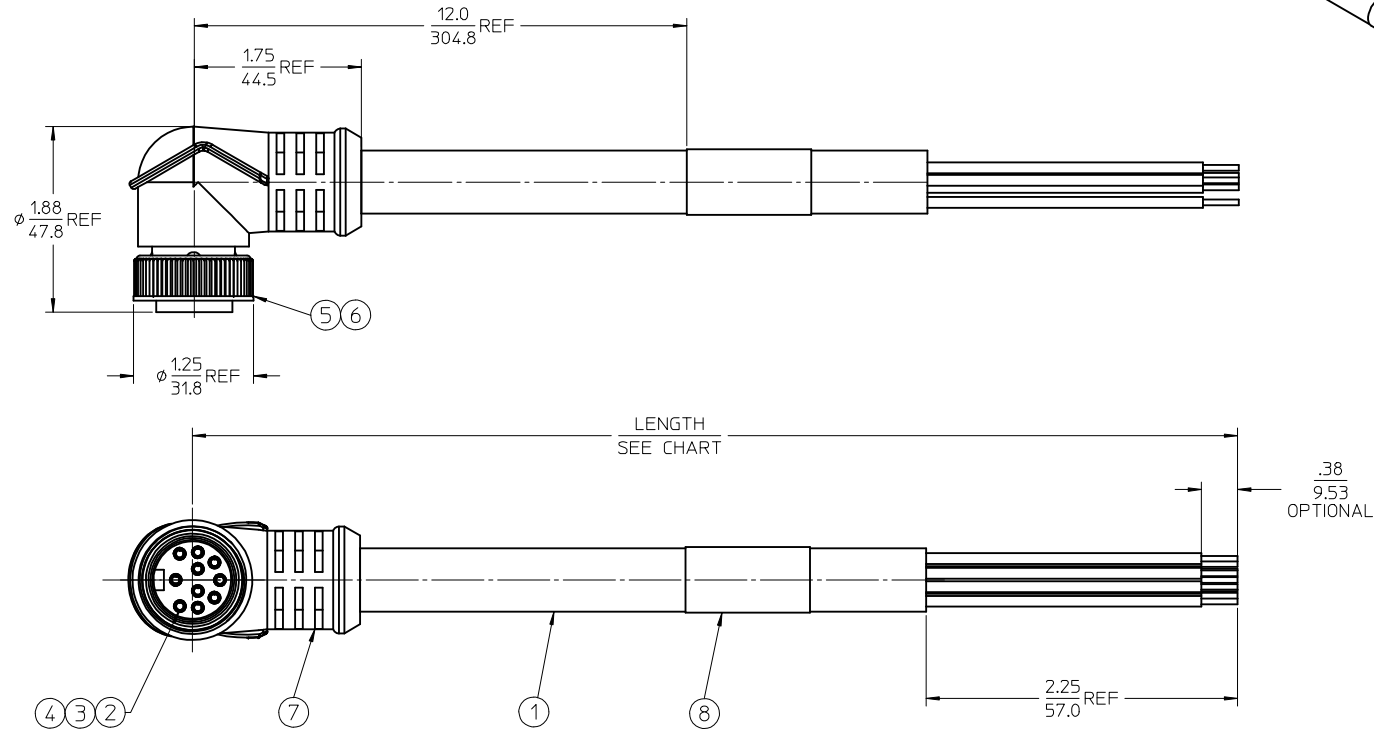


PART NUMBER	ENGINEERING NO.	LENGTH
1300080489	301001A04M050	5M +150 -0 (16'5" +6.00 -0")
1300080112	301001A04M100	10M +300 -0 (32'-0" +12.0" -0")



Partial 2  
Scale 1:1



- NOTES:
1. MATERIAL: SEE TABLE
  2. FINISHES: SEE TABLE
  3. CABLE ASSEMBLIES ARE BAGGED SEPERATELY IN POLY BAGS WITH BARCODE LABEL ATTACHED TO OUTSIDE OF BAG
  4. WRAP LABEL IS MARKED WITH P/N, DATE CODE VOLTAGE & AMPERAGE
  5. MATES WITH: MINI CHANGE, C-SIZE 10 POLE RECEPTACLE
  6. ELECTRICAL SPECIFICATIONS:  
VOLTAGE RATING: 600V  
CURRENT RATING: 2.5 AMPS
  7. ASSEMBLY IS RoHS COMPLIANT

P1	
1	BLACK
2	RED
3	PINK
4	GRAY
5	YELLOW
6	GREEN
7	WHITE
8	BLUE
9	VIOLET
10	BROWN

WIRING DIAGRAM

ITEM	QTY.	DESCRIPTION	MATERIAL	FINISH
8	1	LABEL	PLASTIC FILM	BLACK/YELLOW
7	1	OVERMOLD	PVC	YELLOW
6	1	COUPLING NUT	ZINC DIE CAST	BLACK
5	1	FRICITION RING	NYLON	NATURAL
4	10	SOCKET CONTACT	BRASS	GOLD PLATED
3	10	SOCKET SLEEVE	STAINLESS	
2	1	INSERT, FEMALE, 12 POLE	PVC	YELLOW
1	1	CABLE - #22-9,#18-1 YELLOW SPCL	PVC JACKET	YELLOW

**NEW DOCUMENT**  
EC NO: WNAZ010-0094  
DRAWN BY: DRWINBRUPERT 2009/08/24  
CHKD: BRUPERT 2009/08/26  
APPR: JFMURPHY 2009/08/27

REVISIONS:  
A

QUALITY SYMBOLS:  
▽=0  
▽=0

GENERAL TOLERANCES (UNLESS SPECIFIED):  
mm INCH  
4 PLACES ± --- ± ---  
3 PLACES ± --- ± ---  
2 PLACES ± --- ± ---  
1 PLACE ± --- ± ---  
ANGULAR ±1/2°

DRAFT WHERE APPLICABLE MUST REMAIN WITHIN DIMENSIONS

DIMENSION STYLE: IN/MM  
SCALE: 1:1  
DESIGN UNITS: INCH  
THIRD ANGLE PROJECTION

DRAWN BY: B. RUPERT DATE: 2009/07/06  
CHECKED BY: B. WOODMAN DATE: 2009/04/27  
APPROVED BY: JFMURPHY DATE: 2009/08/26

TITLE: MC 10 POLE, FEMALE C-SIZE SINGLE ENDED 90D 18/1 22/9 PVC MI

MATERIAL NO. SEE CHART  
DOCUMENT NO. SD-130008-020  
SHEET NO. 1 OF 1

THIS DRAWING CONTAINS INFORMATION THAT IS PROPRIETARY TO MOLEX INCORPORATED AND SHOULD NOT BE USED WITHOUT WRITTEN PERMISSION