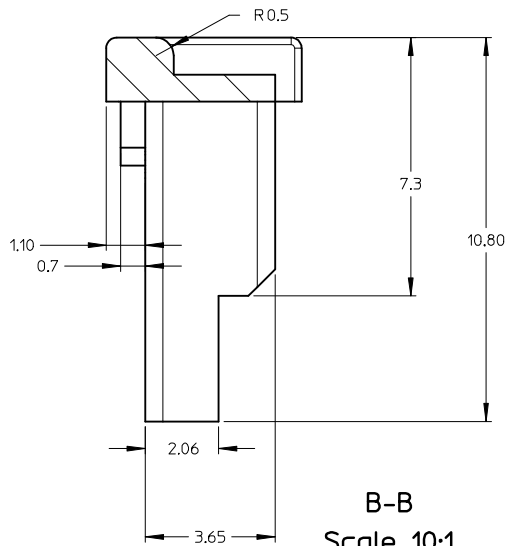
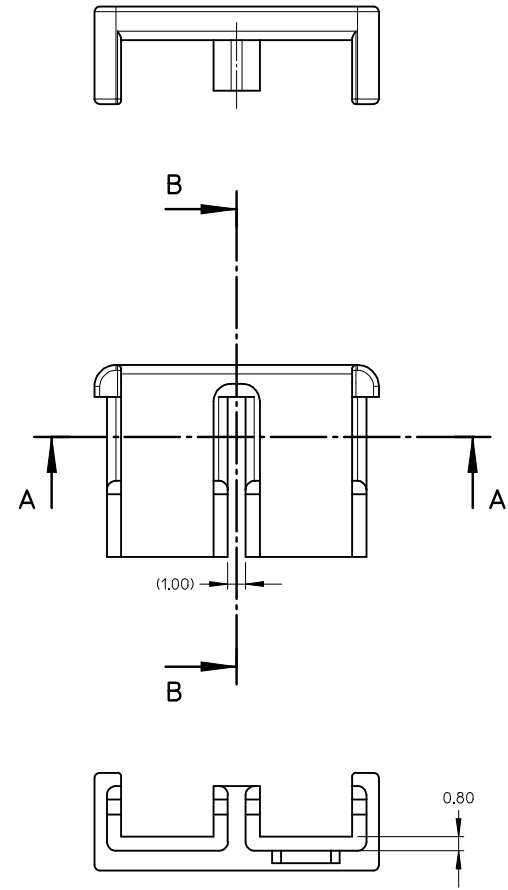
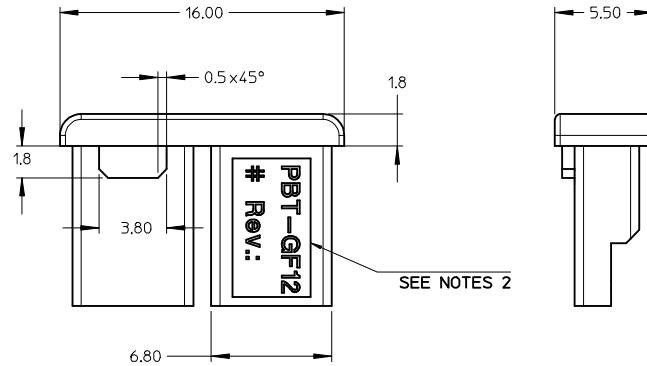


A-A



B-B  
Scale 10:1



SCALE 1:1

NOTES:

- 1- MATERIAL: POCAN B4215 PBT BLACK WITH 12%GLASSFIBRE UL 94 V-0
- 2- MARKING: CAVITY #, MATERIAL, REVISION 0.2MM RAISED IN RECESS  
MARK REV.: WITH PUNCHMARK ACC. DRAWING REV.  
MARKIERUNG: FORMNEST, MATERIAL, REVISION: 0.2MM VERTIEFT-ERHABEN  
ZUR REVISIONSANGABE KÖRNERPUNKTE GEMÄSS ZEICHNUNGSREVISION SETZEN
- 3- COMPLIANT TO ROHS DIRECTIVE 2002/95/EC  
ENTSPRECHEND ROHS DIRECTIVE 2002/95/EC

EC NO: MG2005-0199 DRWN:CLAY 2004/12/01 CHKD:RSILLER 2004/12/01 APPR:TREMHOF 2004/12/02	QUALITY SYMBOLS ▽ - 0 ▽ - 0	GENERAL TOLERANCES (UNLESS SPECIFIED)		SCALE <b>5:1</b>	DESIGN UNITS <b>METRIC</b>	THIRD ANGLE PROJECTION	REVISE ON CAD ONLY
		4 PLACES ± --- ± --- 3 PLACES ± --- ± --- 2 PLACES ± 0.05 ± --- 1 PLACE ± 0.10 ± --- ANGULAR ± .5 °	mm    INCH	DIMENSION STYLE <b>MM ONLY</b>		TITLE <b>EMILY POWER TERMINAL - RETAINER</b>	
2	DESCRIPTION PBT-GF12 # Rev.:	DRAFT WHERE APPLICABLE MUST REMAIN WITHIN DIMENSIONS		DRAWN BY CLAY	DATE 2004/11/04	MOLEX INCORPORATED	
		APPROVED BY TREMHOF		DATE 2004/11/12	MATERIAL NO. 85354-0006	DOCUMENT NO. SD-85354-007	SHEET NO. 1 OF 1