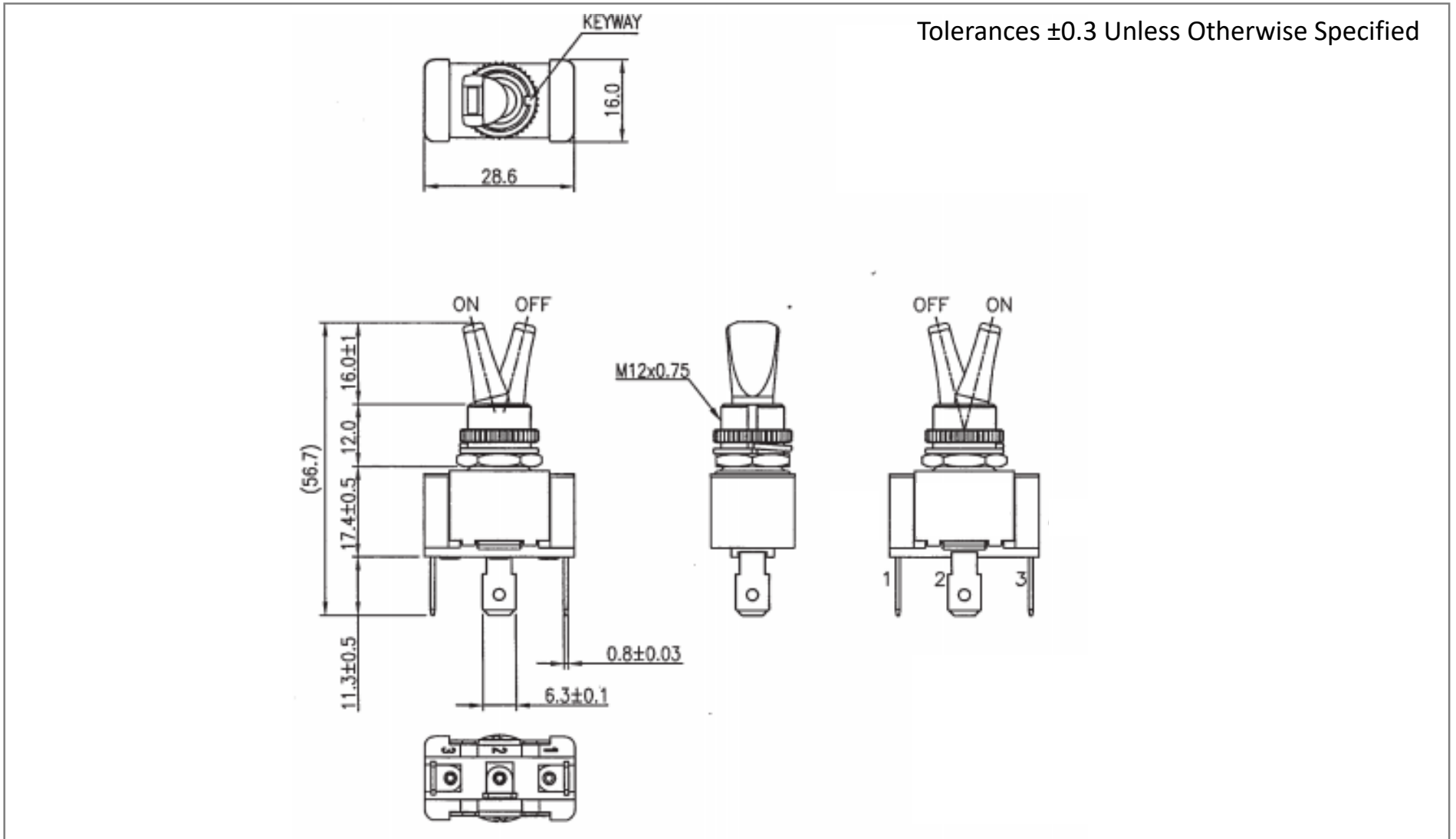
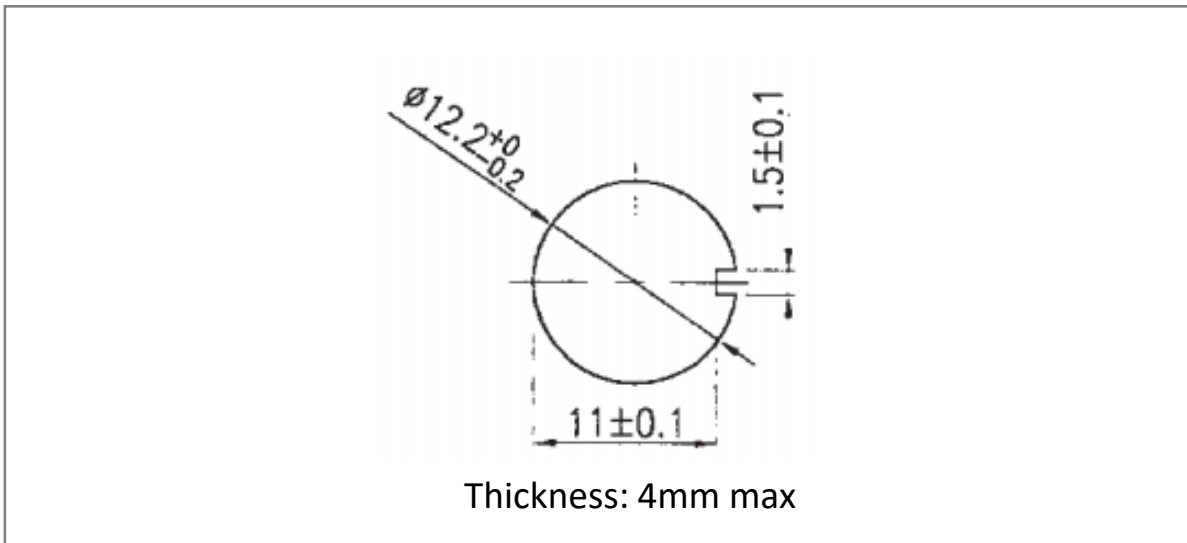


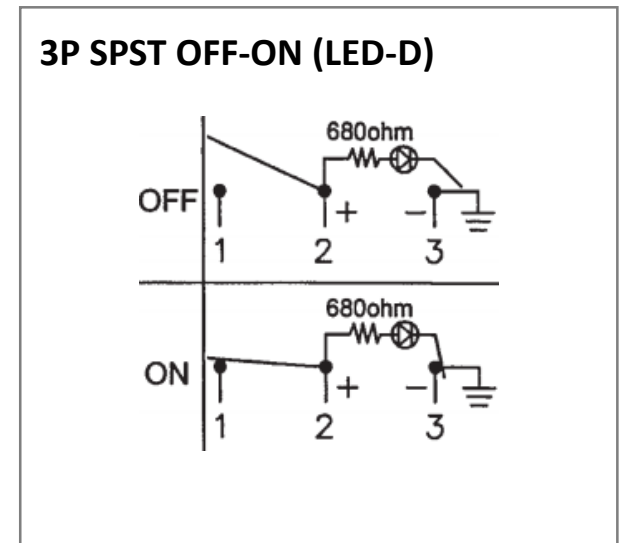
Mechanical Dimensions (mm)



Mounting Hole



Circuit Diagram



Electrical Specifications

Rating	20A 12V DC
Contact Resistance	50m ohm Max.
Insulation Resistance	DC 500V 100M ohm Min.
Dielectric Strength	AC 1500V 1 minute
Operation Temperature	20°C~85°C

Material Specifications

1 HEX NUT ASSY	
1 SPRING WASHER ASSY	
1 KNURL NUT ASSY	
LED	Red (Dependent)