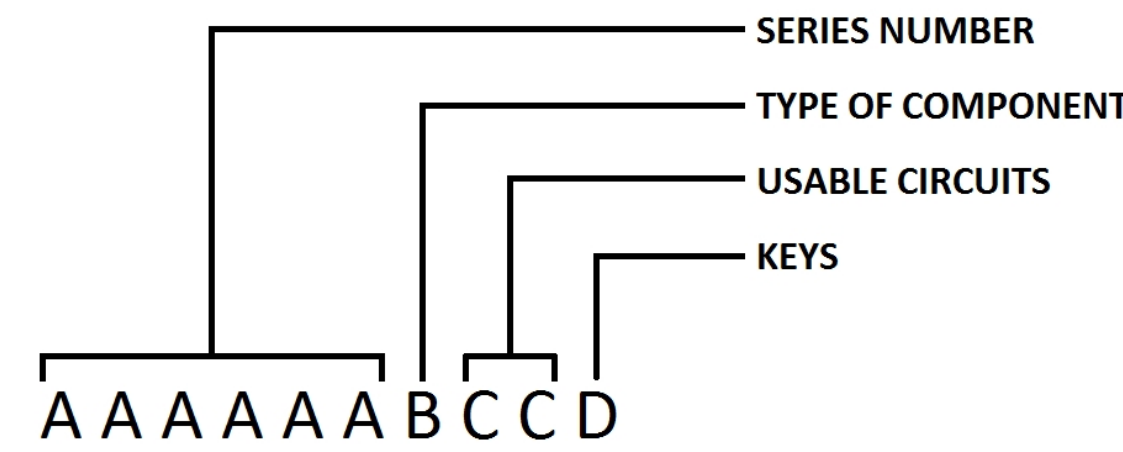


# CONNTAK50 DUAL ROW RIGHT ANGLE SMT HEADERS

## 10CKT HEADER:

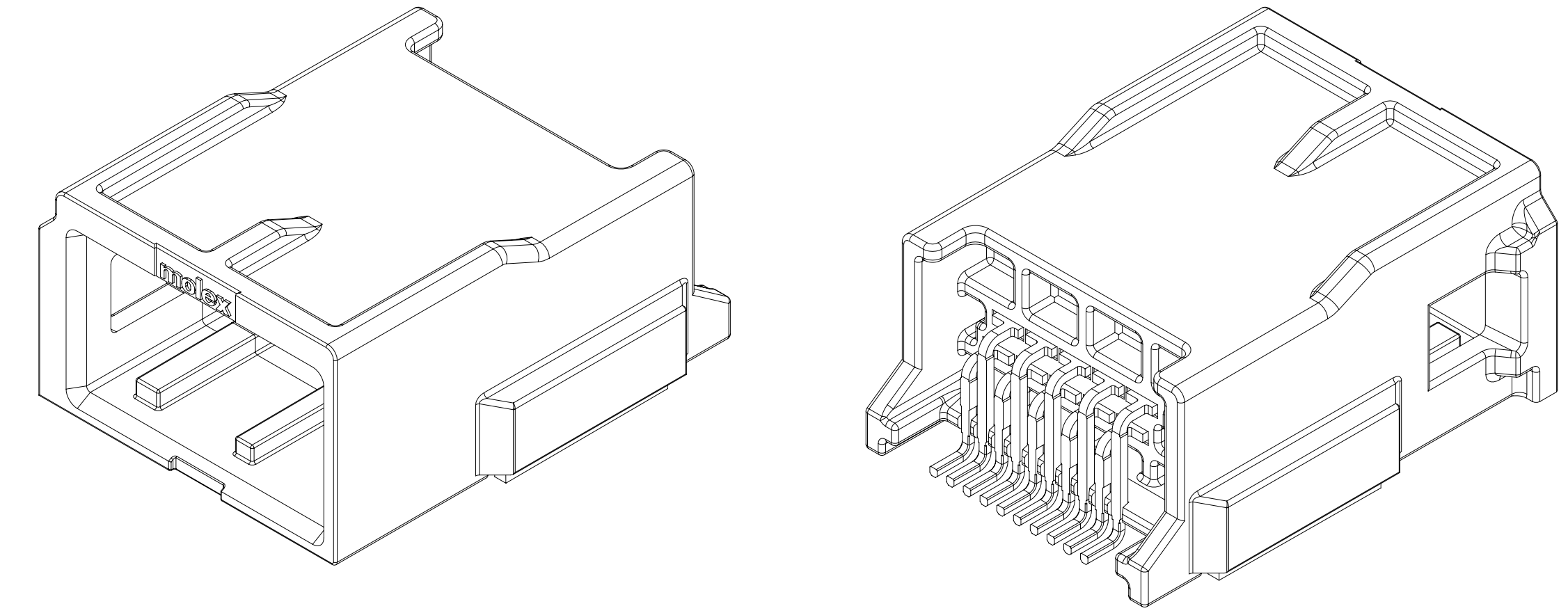


### PART NUMBER EXAMPLE:

PN 2069583101  
 206958 - SERIES NUMBER: DUAL ROW RIGHT ANGLE SMT HEADER - STANDARD PERF  
 3 - TYPE OF COMPONENT: STANDARD MATERIAL; FULLY POPULATED  
 10 - 10 USABLE CIRCUITS  
 1 - KEY A

FINAL PART: 10CKT DUAL ROW RIGHT ANGLE FULLY POPULATED STANDARD PERFORMANCE SMT HEADER - KEY A

	SERIES NUMBERS (AAAAAA)	TYPE OF COMPONENT (B)	USABLE CIRCUITS (CC)	KEY (D)
MATING COMPONENT	205825 - DR TANG RECEPTACLE	2 - STD MATL; FULLY POPULATED (APPLIES TO RECEPTACLE P/N ONLY)	02 - 2 Circuits	1 - KEY A
ON DRAWING	205826 - DR TANG RECEPTACLE WITH CPA	3 - V0 MATL; FULLY POPULATED (APPLIES TO HEADER P/N ONLY)	...	2 - KEY B
OTHER	206958 - DR RIGHT ANGLE SMT HEADER - STANDARD PERF.	4 - STD MATL: LAST 2 CKTS UNPOPULATED / UNUSABLE (APPLIES TO RECEPTACLE P/N ONLY)	...	3 - KEY C
	206957 - DR VERTICAL SMT HEADER - STANDARD PERF.	5 - V0 MATL: LAST 2 CKTS UNPOPULATED / UNUSABLE (APPLIES TO HEADER P/N ONLY)	22 - 22 Circuits	4 - KEY D



### NOTES:

VALID UNLESS OTHERWISE SPECIFIED

#### 1. GENERAL:

- 1.1 APPLICATION SPECIFICATION SEE: 2046310000-AS
- 1.2 PRODUCT SPECIFICATION SEE: 2046310000-PS
- 1.3 PACKAGING SPECIFICATION PER MOLEX DRAWING: 2069579000
  - 1.3.1 PACKAGING IS TAPE & REEL
- 1.4 COMPATIBLE WITH STANDARD AK INTERFACE C-114-94000-20 REV A1
- 1.5 CONFORMS TO MOLEX AK INTERFACE 2046310002 REV A
  - 1.5.1 MOLEX AK INTERFACE IS PART OF PPAP
- 1.6 INDICATED CIRCUITS DO NOT CONTAIN PINS IN DEPOPULATED HEADER VERSION
- 1.7 TRACEABILITY TO BE MARKED IN AREA SHOWN. MARK IS CODED AS FOLLOWS:

ROW 1 (XXXXXX):

- "XXXXXX" IS MOLEX SMT HEADER SERIES NUMBER

ROW 2 (YYYY PZ):

- "YYYY" IS PART SUFFIX (LAST 4 DIGITS OF PART NUMBER)

- "P" IS PERFORMANCE MARK. SEE PART TABLE FOR MARKING CODE

- "Z" IS ASSEMBLY LINE ("1" INDICATES ORIGINAL LINE, "2" IS FIRST CAPACITY LINE, ETC.)

ROW 3 (HHDDYY):

- 1ST & 2ND DIGITS (HH): HOUR OF ASSEMBLY (EXAMPLE: 15:00 > '15'; 7:00 -> '07')

- 3RD THRU 5TH DIGITS (DDD): JULIAN DATE (EXAMPLE: FEBRUARY 3RD -> '034')

- 6TH & 7TH DIGITS (YY): LAST 2 DIGITS OF CALENDAR YEAR (EXAMPLE: 2013 -> '13')

- 1.8 DURING SHIPPING / HANDLING AND REFLOW EXPOSURE COPLANARITY MAY GO ABOVE THE 0.10MM LIMIT PART SOLDERABILITY IS MAINTAINED IN THIS CONDITION.

#### 2. DESIGN - MATERIALS:

##### 2.1 SHROUD (PLASTIC HOUSING):

2.1.2: V0 MATERIAL HOUSINGS: PA9T-GF30%

##### 2.2 PINS:

2.2.1 STANDARD PERFORMANCE PINS:

BASE MATERIAL: C26000 BRASS

UNDERPLATING (CONTACT REGION): NICKEL 1.0 - 1.8 μm

OVERPLATING (CONTACT REGION): MATTE TIN 1.0 - 3.0 μm

#### 3. DESIGN - GEOMETRY:

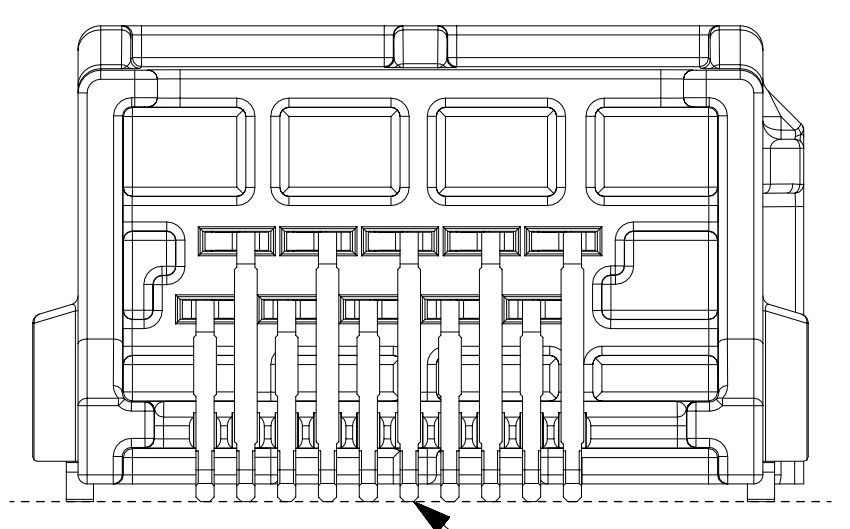
3.1 GEOMETRIC DIMENSIONS AND TOLERANCES PER ASME Y14.5M-2009

INTERFACE	INTERFACE CKT SIZE	DIM A	DIM B	DIM C	DIM D	DIM E	DIM F	DIM G	POL	COLOR	V0 MATERIAL SMT HEADER				STATUS
											FULLY POPULATED		2CKTS UNPOPULATED		
											PART NUMBER	USABLE CKTS	PART NUMBER	USABLE CKTS	
	4	11.70	9.70	0.20	4.81	0.65	5.45	0.65	A	BLACK	2069583041	4	2069585021	2	INQUIRE FOR AVAILABILITY
									B	NATURAL	2069583042	4	2069585022	2	
									C	BLUE	2069583043	4	2069585023	2	
									D	VIOLET	2069583044	4	2069585024	2	
	6	13.50	11.50	1.10	5.71	1.55	6.35	1.55	A	BLACK	2069583061	6	2069585041	4	INQUIRE FOR AVAILABILITY
									B	NATURAL	2069583062	6	2069585042	4	
									C	BLUE	2069583063	6	2069585043	4	
									D	VIOLET	2069583064	6	2069585044	4	
	8	15.30	13.30	2.00	6.61	2.45	7.25	2.45	A	BLACK	2069583081	8	2069585061	6	INQUIRE FOR AVAILABILITY
									B	NATURAL	2069583082	8	2069585062	6	
									C	BLUE	2069583083	8	2069585063	6	
									D	VIOLET	2069583084	8	2069585064	6	
	10	17.10	15.10	2.90	7.51	3.35	8.15	3.35	A	BLACK	2069583101	10	2069585081	8	AVAILABLE
									B	NATURAL	2069583102	10	2069585082	8	
									C	BLUE	2069583103	10	2069585083	8	
									D	VIOLET	2069583104	10	2069585084	8	
	12	18.90	16.90	3.80	8.41	4.25	9.05	4.25	A	BLACK	2069583121	12	2069585101	10	INQUIRE FOR AVAILABILITY
									B	NATURAL	2069583122	12	2069585102	10	
									C	BLUE	2069583123	12	2069585103	10	
									D	VIOLET	2069583124	12	2069585104	10	
	14	20.70	18.70	4.70	9.31	5.15	9.95	5.15	A	BLACK	2069583141	14	2069585121	12	INQUIRE FOR AVAILABILITY
									B	NATURAL	2069583142	14	2069585122	12	
									C	BLUE	2069583143	14	2069585123	12	
									D	VIOLET	2069583144	14	2069585124	12	
	16	22.50	20.50	5.60	10.21	6.05	10.85	6.05	A	BLACK	2069583161	16	2069585141	14	INQUIRE FOR AVAILABILITY
									B	NATURAL	2069583162	16	2069585142	14	
									C	BLUE	2069583163	16	2069585143	14	
									D	VIOLET	2069583164	16	2069585144	14	
	18	24.30	22.30	6.50	11.11	6.95	11.75	6.95	A	BLACK	2069583181	18	2069585161	16	INQUIRE FOR AVAILABILITY
									B	NATURAL	2069583182	18	2069585162	16	
									C	BLUE	2069583183	18	2069585163	16	
									D	VIOLET	2069583184	18	2069585164	16	
	20	26.10	24.10	7.40	12.01	7.85	12.65	7.85	A	BLACK	2069583201	20	2069585181	18	INQUIRE FOR AVAILABILITY
									B	NATURAL	2069583202	20	2069585182	18	
									C	BLUE	2069583203	20	2069585183	18	
									D	VIOLET	2069583204	20	2069585184	18	
	22	27.90	25.90	8.30	12.91	8.75	13.55	8.75	A	BLACK	2069583221	22	2069585201	20	AVAILABLE
									B	NATURAL	2069583222	22	2069585202	20	
									C	BLUE	2069583223	22	2069585203	20	
									D	VIOLET	2069583224	22	2069585204	20	

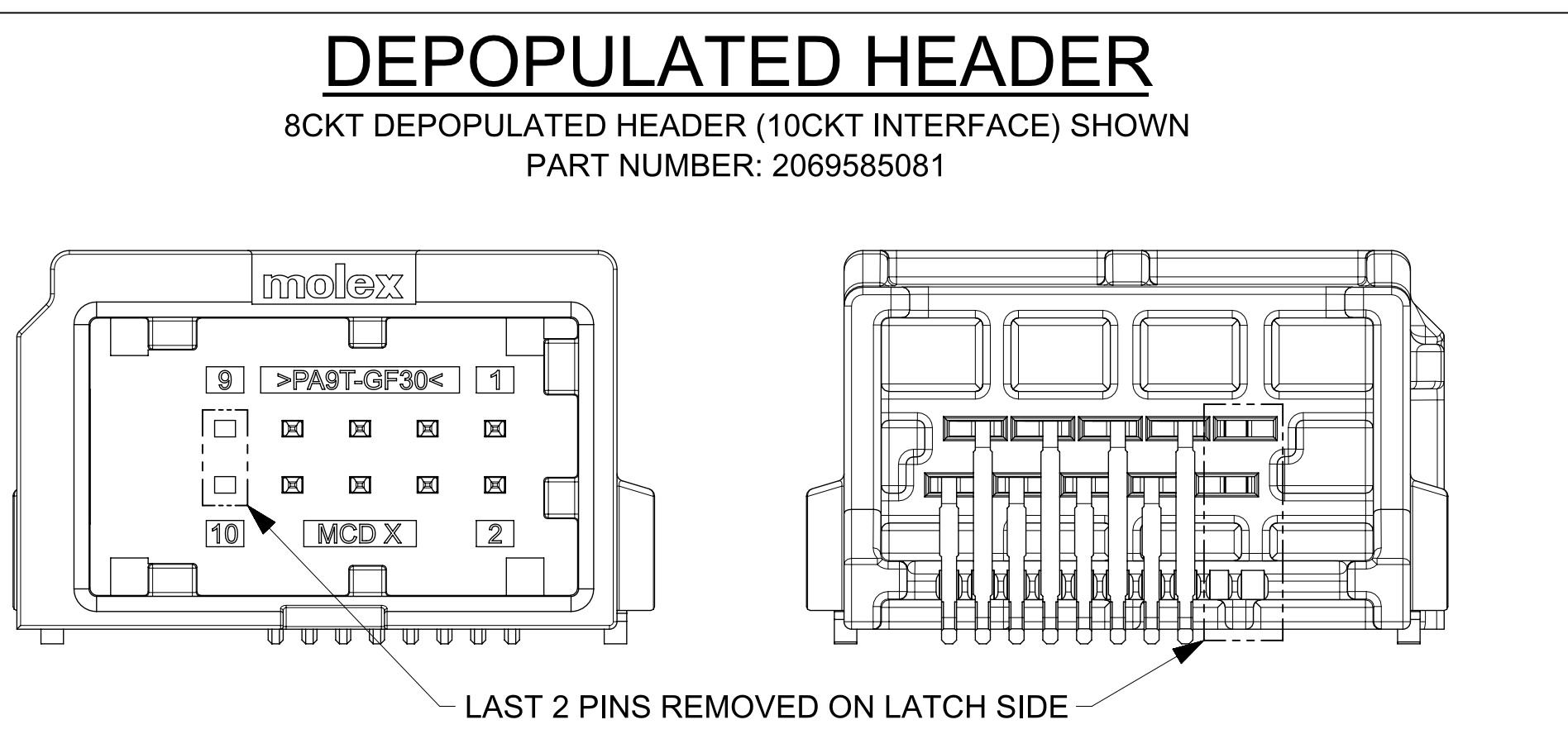
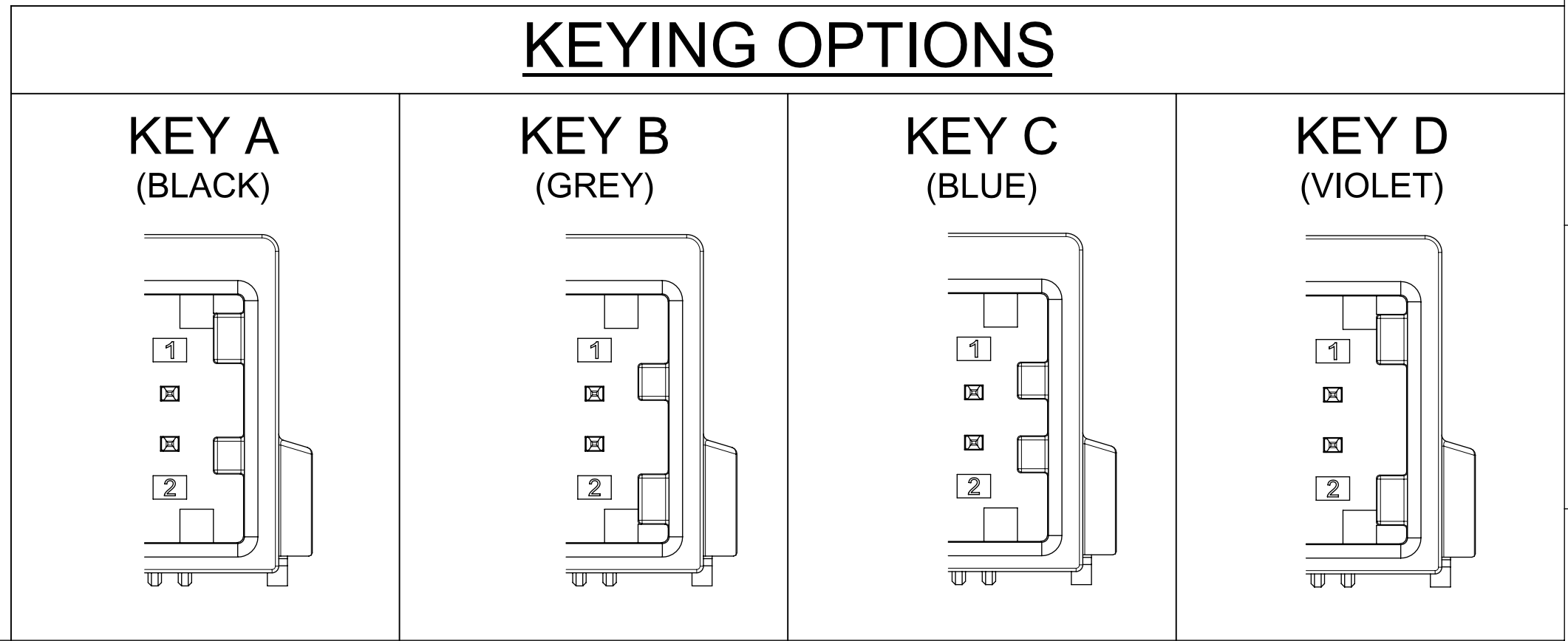
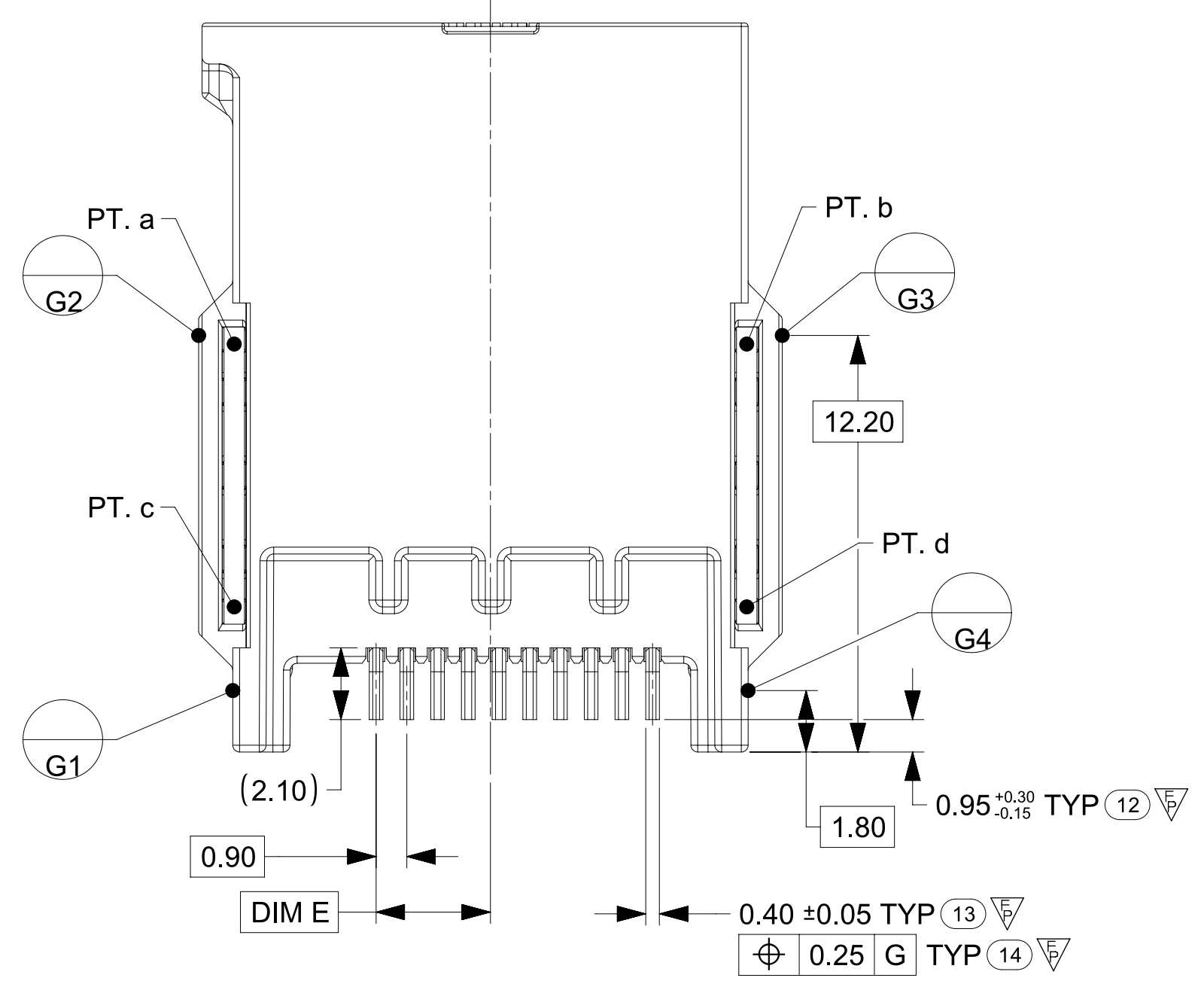
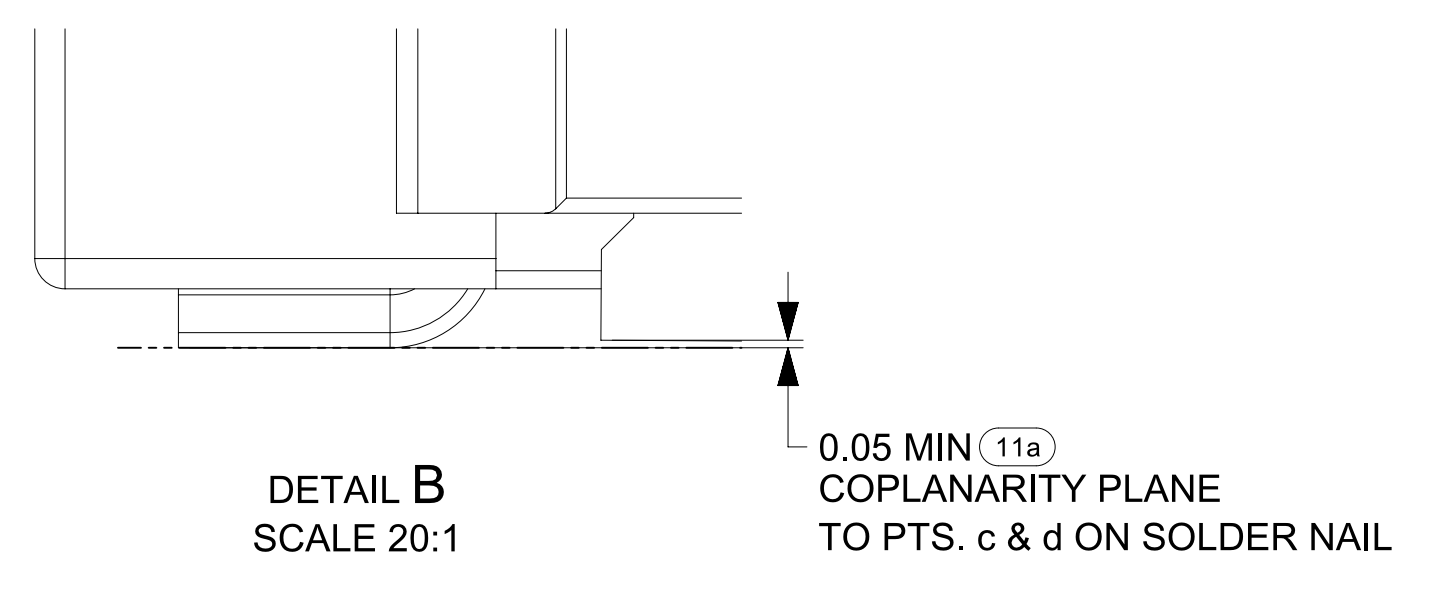
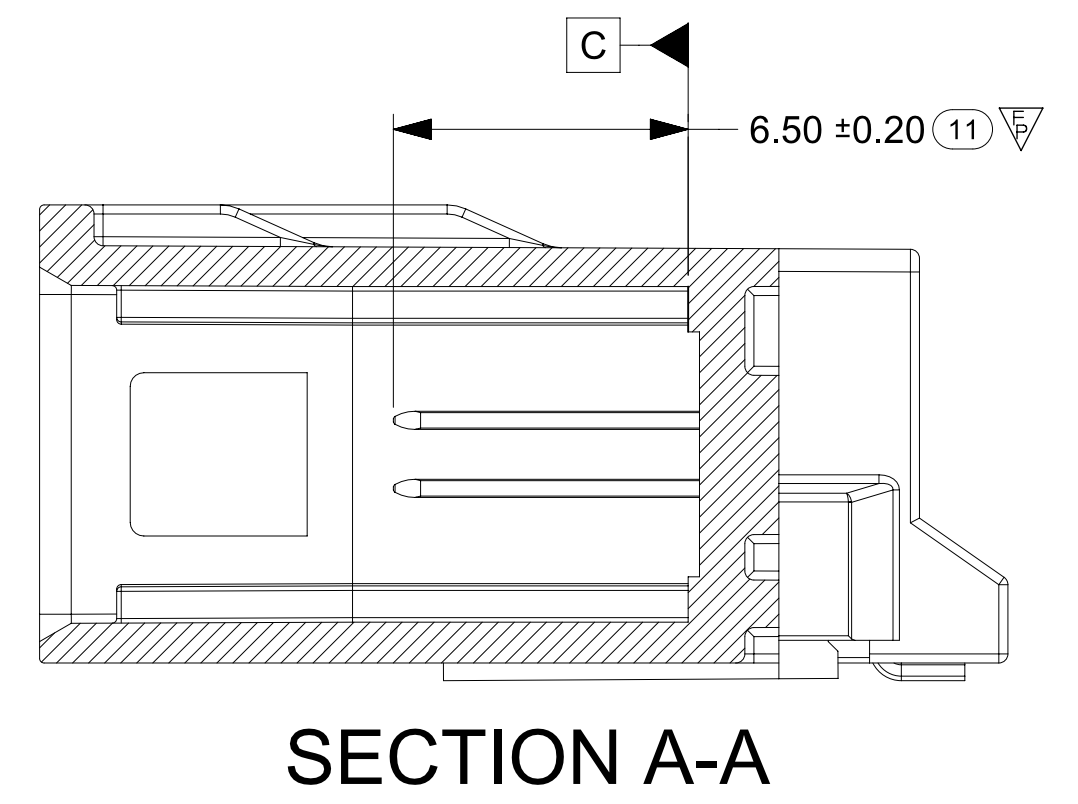
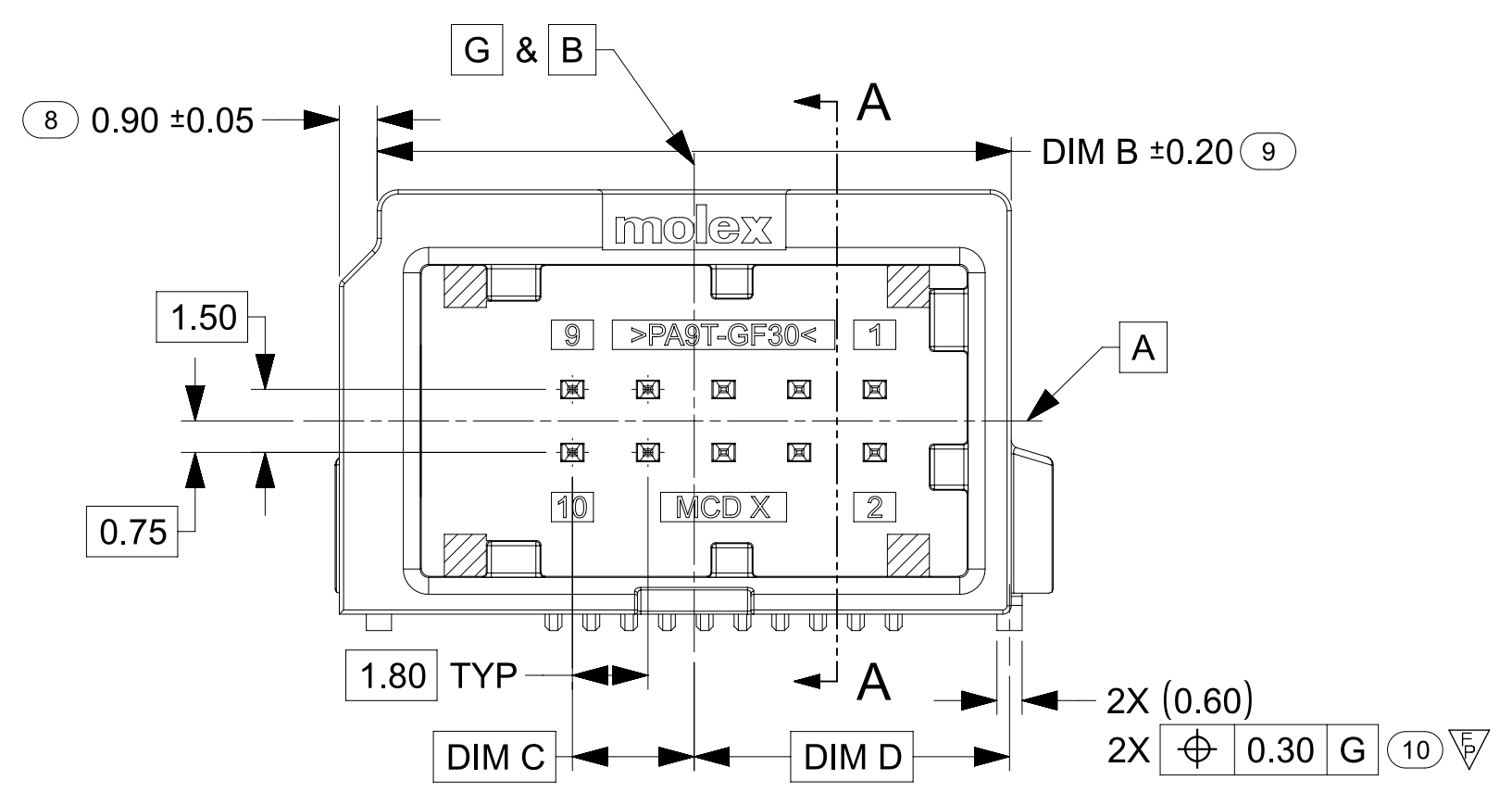
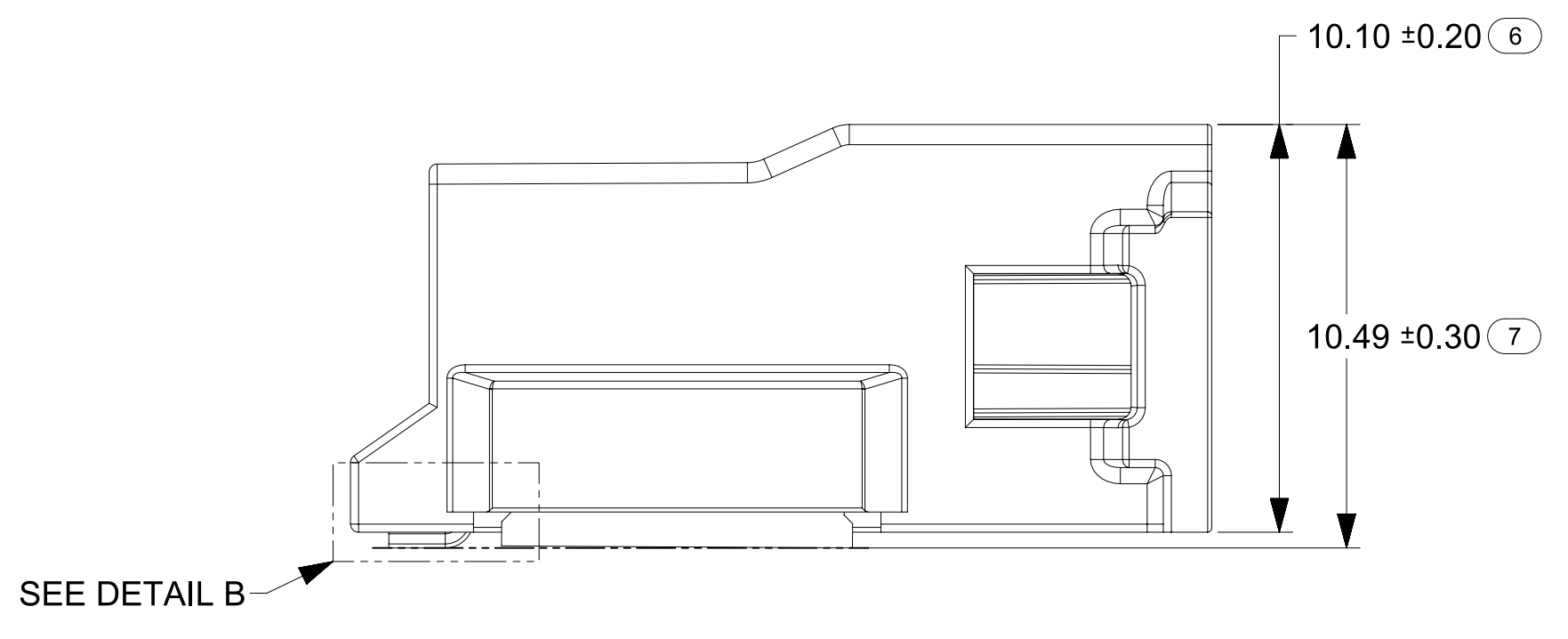
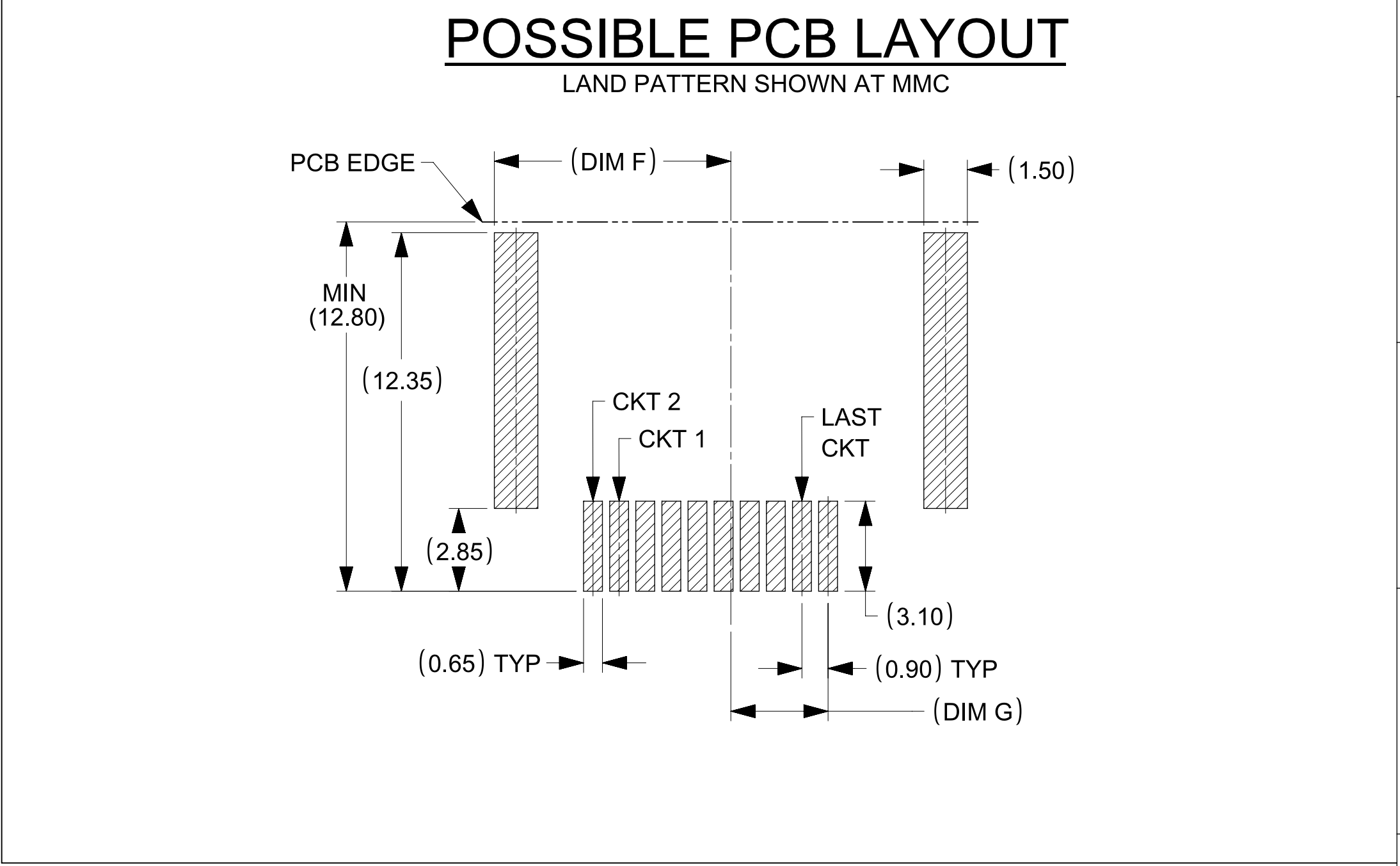
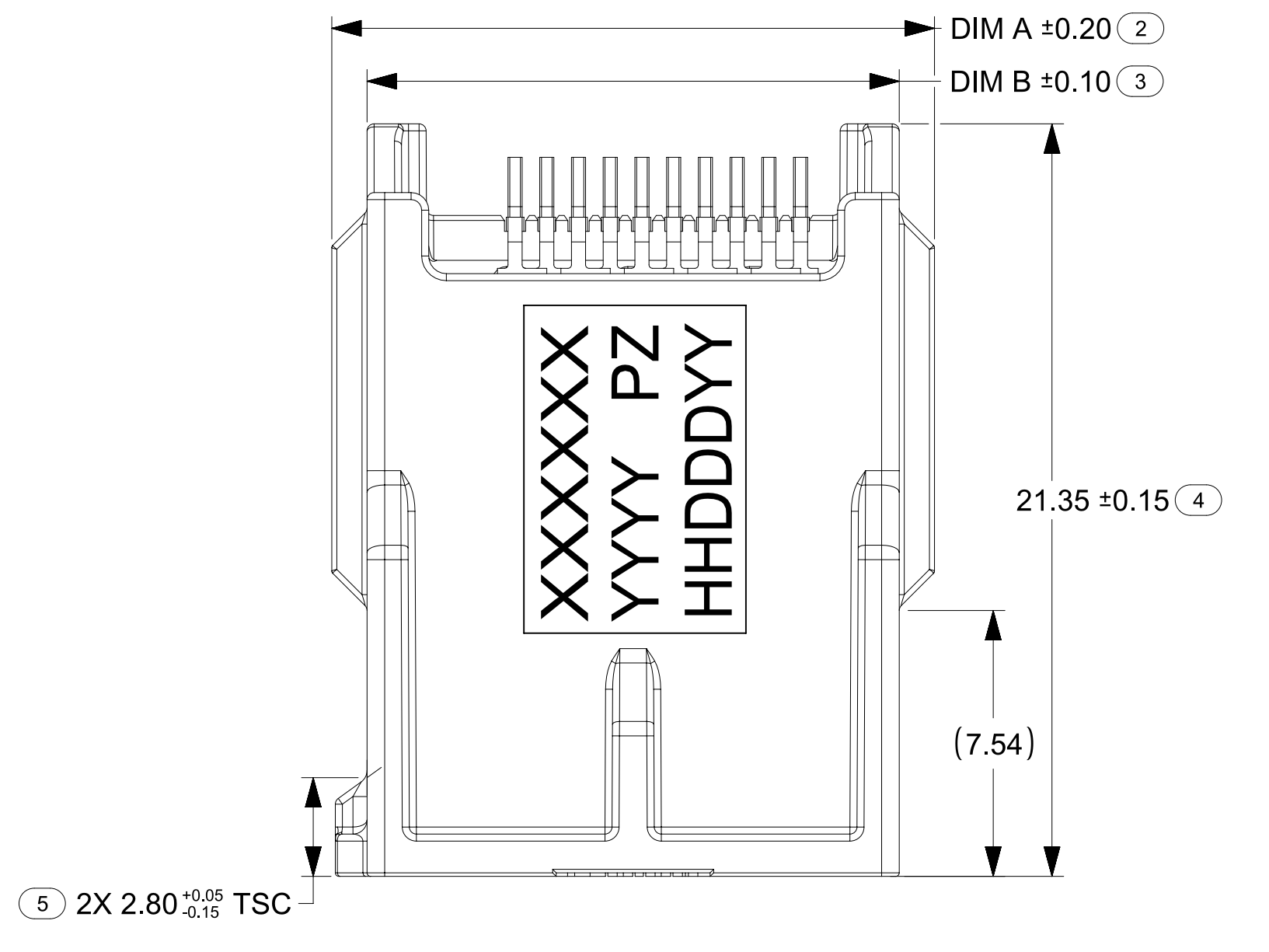
PERFORMANCE MARK: S

INSPECTION BALLOON LOG		E	REMOVED: NOTE 2.1.1; ALL SPS PART NUMBERS
PER DRAWING REVISION: E		D5	ADDED: NOTE 1.8; DIM 11a UPDATED: DIM 1
TOTAL BALLOONS: 14		D4	UPDATED: UNDERPLATING THICKNESS (NOTE 2.2.1)
ADDED BALLOON NUMBERS: 11a		D3	CORRECTED: DIM C DIMENSIONS
REMOVED BALLOON NUMBERS:		D2	UPDATED: TOLERANCE ON DIM 5 FROM (+0.05/-0.10) TO (+0.05/-0.15).
		D1	UPDATED: BOM TABLE TO SAY NATURAL FOR POL B
		D	ADDED V0 MATERIAL PART NUMBERS; UPDATED NOTE 2.1
		REV	DESCRIPTION
FUNCTIONAL SYMBOLS: THIS DRAWING CONTAINS INFORMATION THAT IS PROPRIETARY TO MOLEX ELECTRONIC TECHNOLOGIES, LLC AND SHOULD NOT BE USED WITHOUT WRITTEN PERMISSION			
DIMENSION UNITS: mm		SCALE: 5:1	
GENERAL TOLERANCES (UNLESS SPECIFIED):		CURRENT REV DESC:	
ANGULAR TOL: ± 0.5°		PHASE:	
4 PLACES ±		CO NO:	
3 PLACES ±		DRWN: Keith Hewitt 2022-12-05	
2 PLACES ±		CHK'D: Evan Colarusso 2022-12-08	
1 PLACE ±		APPR: Jeremy Dunaj 2022-12-08	
0 PLACES ±		INITIAL REVISION:	
DRAFT WHERE APPLICABLE MUST REMAIN WITHIN DIMENSIONS		DRWN: Evan Colarusso 2021-12-08	
THIRD ANGLE PROJECTION		APPR: Jeremy Dunaj 2021-12-08	
DRAWING: D-SIZE		SERIES: 204632	
MATERIAL NUMBER		CUSTOMER: GENERAL MARKET	
DOCUMENT NUMBER: 2046320003		SHEET NUMBER: 1 OF 2	
DOC TYPE: PSD		DOC PART: 000	
REVISION: E			

10CKT KEY A (2069583101) SHOWN EXCEPT WHERE NOTED  
REFER TO 2046310002 FOR INTERFACE DIMENSIONS



0.10 TYP  
SOLDER NAIL & TERMINAL COPLANARITY  
EXCLUDES PTS. c & d



FUNCTIONAL SYMBOLS FA = 0 FC = 0 FD = 0	THIS DRAWING CONTAINS INFORMATION THAT IS PROPRIETARY TO MOLEX ELECTRONIC TECHNOLOGIES, LLC AND SHOULD NOT BE USED WITHOUT WRITTEN PERMISSION		CURRENT REV DESC:	
	DIMENSION UNITS mm	SCALE 6:1		
DIVISIONAL SYMBOLS	GENERAL TOLERANCES (UNLESS SPECIFIED)		PHASE:	
	ANGULAR TOL ± 0.5°	4 PLACES ±	CO NO:	2022-12-05
	3 PLACES ±	DRWN: Keith Hewitt		2022-12-08
	2 PLACES ±	CHK'D: Evan Colarusso		2022-12-08
	1 PLACE ±	APPR: Jeremy Dunaj		
	0 PLACES ±	INITIAL REVISION:		
		DRWN: Evan Colarusso		2021-12-08
		APPR: Jeremy Dunaj		2021-12-08
DRAFT WHERE APPLICABLE MUST REMAIN WITHIN DIMENSIONS	THIRD ANGLE PROJECTION	DRAWING	SERIES	MATERIAL NUMBER
		D-SIZE	204632	2046320003
		CUSTOMER		SHEET NUMBER
		GENERAL MARKET		2 OF 2

**molex**

CONNTAK50 DR R/A SMT HEADER

PRODUCT SALES DRAWING

DOCUMENT NUMBER: 2046320003  
DOC TYPE: PSD  
DOC PART: 000  
REVISION: E