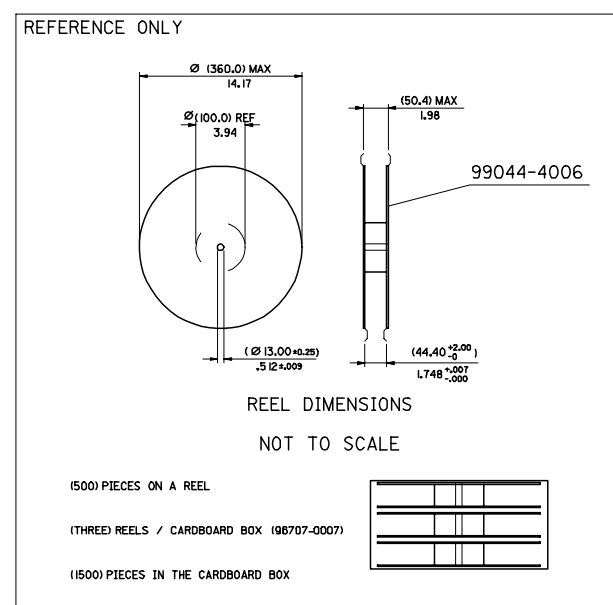
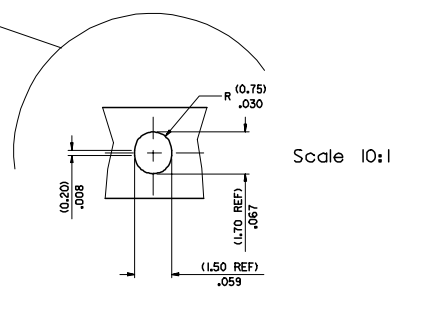
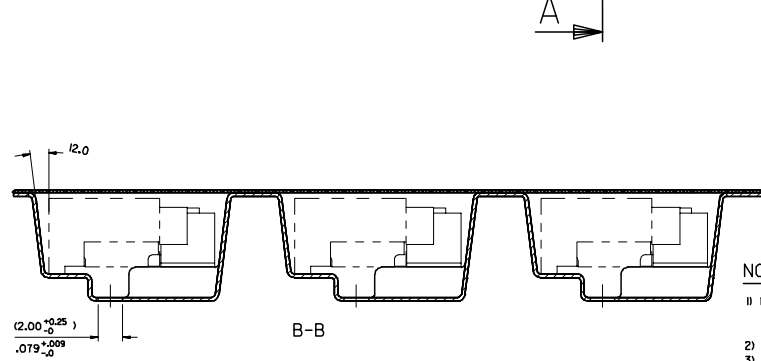
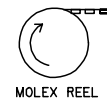


DIRECTION OF UNREELING →



TO CUSTOMER ASSEMBLY MACHINE →

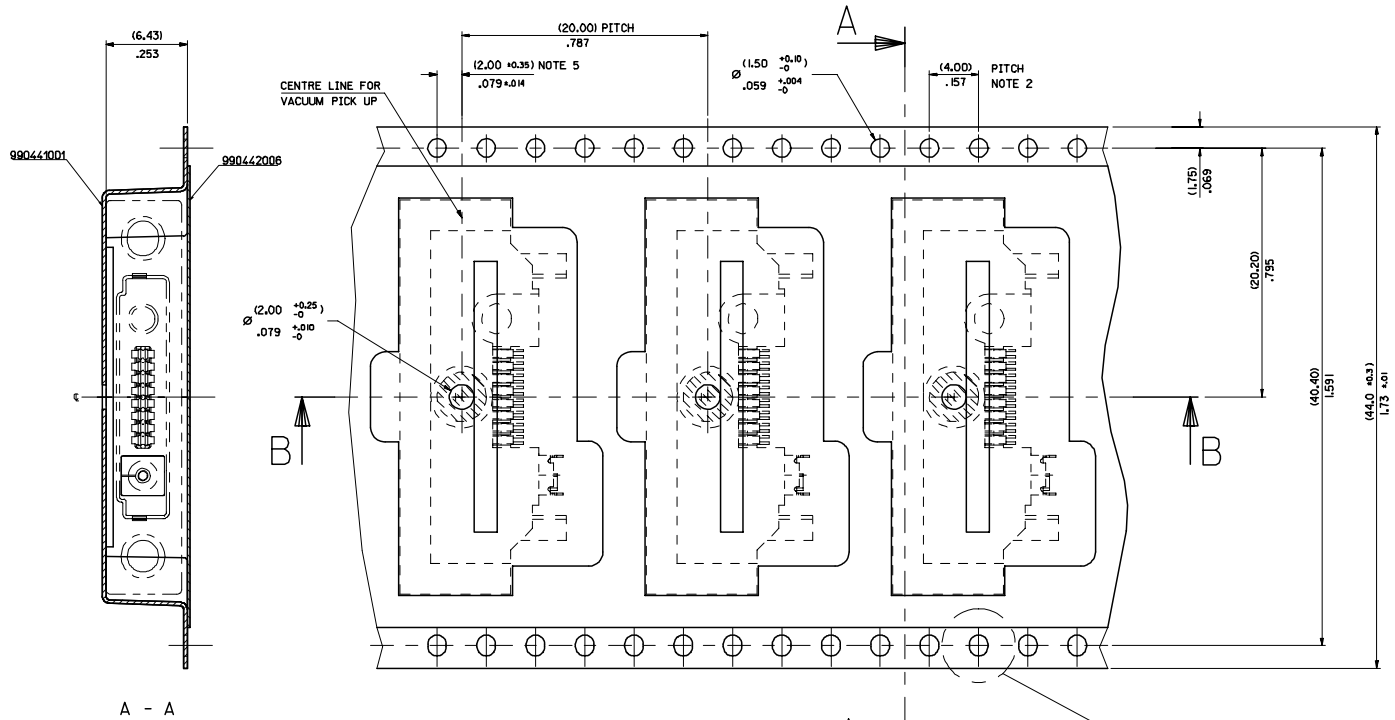
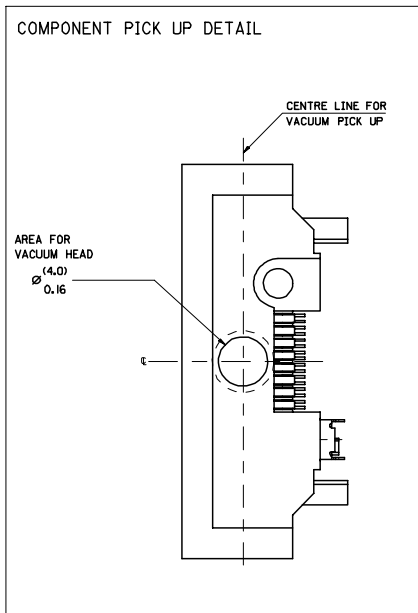


COMPONENT	DESCRIPTION
90811-2001	MOBILE PHONE I/O CONNECTOR

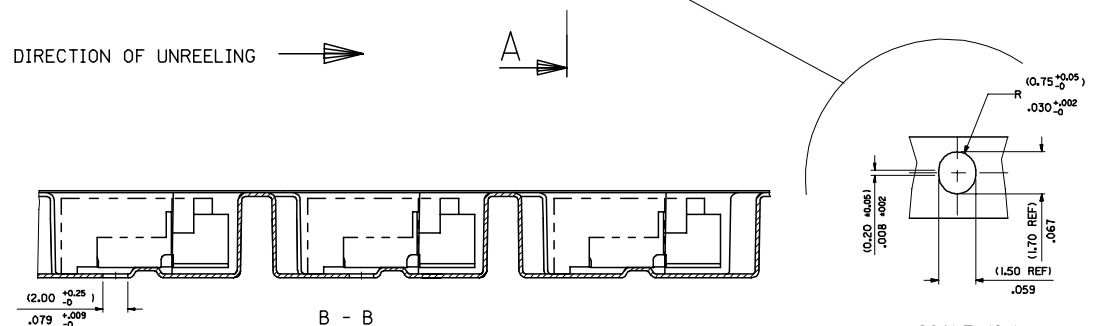
- NOTES:
- MATERIAL :
CARRIER TAPE : VOLUME CONDUCTIVE POLYCARBONATE , (0.37) .014 REF THICK , BLACK
COVER TAPE : COLD SEAL POLYESTER , (0.06) .002 REF THICK , TRANSPARENT
 - PITCH TOLERANCE OVER ANY 10 PITCHES ± (0.2) .008
 - PEEL FORCE OF THE COVER TAPE IS 0.1N TO 1.0N
AT A MAXIMUM PEEL SPEED OF (300) 1.81mm/mIn ± 10%
 - REFERENCE TO IEC 286-3 EXCEPT WHERE SPECIFIED

QUALITY SYMBOLS	GENERAL TOLERANCES (UNLESS SPECIFIED)		DIMENSION STYLE		SCALE	DESIGN UNITS	THIRD ANGLE PROJECTION
	mm	INCH	MM/IN	MM/IN	S:1	METRIC	
▽=0	4 PLACES ±	±	DRAWN BY	DATE	TITLE	BLISTER PACKAGING FOR MOBILE PHONE HANDSET	
▽=0	3 PLACES ±	±	TM	1996/05/10			
	2 PLACES ± 0.10	±	CHECKED BY	DATE			
	1 PLACE ± 0.2	±	MW	1996/05/10			
	ANGULAR ± 5°		APPROVED BY	DATE		Molex MOLEX INCORPORATED	
	DRAFT WHERE APPLICABLE MUST REMAIN WITHIN DIMENSIONS		MW	1996/05/10			
	SEE CHART		MATERIAL NO.	DOCUMENT NO.	SHEET NO.		
	THIS DRAWING CONTAINS INFORMATION THAT IS PROPRIETARY TO MOLEX INCORPORATED AND SHOULD NOT BE USED WITHOUT WRITTEN PERMISSION				1 OF 3		

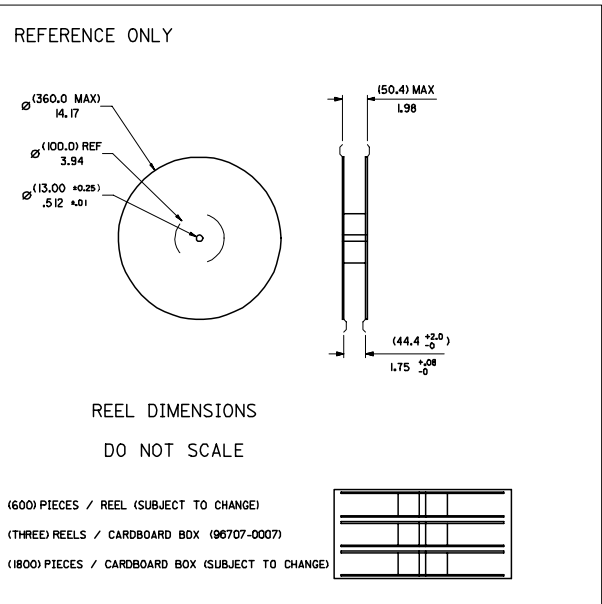
3	C
2	B
1	C



DIRECTION OF UNREELING \rightarrow



- NOTES:**
- 1) MATERIAL :
 CARRIER TAPE : VOLUME CONDUCTIVE POLYCARBONATE, (0.37) / .015 REF THICK, BLACK
 COVER TAPE : COLD SEAL POLYESTER, (0.06) / .002 REF THICK, TRANSPARENT
 - 2) PITCH TOLERANCE OVER ANY 10 PITCHES $\pm (0.2) / .008$
 - 3) PEEL FORCE OF THE COVER TAPE IS 0.1N TO 1.0N AT A MAXIMUM PEEL SPEED OF (300) 11.8 mm/min $\pm 10\%$
 - 4) REFERENCE TO IEC 286-3 EXCEPT WHERE NOTED



TO CUSTOMER ASSEMBLY MACHINE \rightarrow

MOLEX REEL

COMPONENT	DESCRIPTION
90811-0003	MOBILE PHONE I/O CONNECTOR
90811-0005	MOBILE PHONE I/O CONNECTOR
90811-2103	MOBILE PHONE I/O CONNECTOR

UPDATE FRAME ECLING E2007-0458 DRAWN BY CHKD. APPROVED BY	DESCRIPTION 2007/05/01 2007/05/15 2007/05/16	QUALITY SYMBOLS $\nabla = 0$ $\nabla = 0$	GENERAL TOLERANCES (UNLESS SPECIFIED)		DIMENSION STYLE		SCALE S:1	DESIGN UNITS METRIC	THIRD ANGLE PROJECTION
			mm	INCH	MM/IN	DATE			
			4 PLACES \pm	\pm	MK	DATE	1997/01/15		
			3 PLACES \pm	\pm	MW	DATE	1997/01/15		
			2 PLACES \pm	\pm	MW	DATE	1997/01/15		
			1 PLACE \pm	\pm	MW	DATE	1997/01/15		
			ANGULAR $\pm .5^\circ$						
			DRAFT WHERE APPLICABLE MUST REMAIN WITHIN DIMENSIONS		MATERIAL NO.		DOCUMENT NO.		SHEET NO.
					SEE CHART		SDA-90811-9001		2 OF 3

THIS DRAWING CONTAINS INFORMATION THAT IS PROPRIETARY TO MOLEX INCORPORATED AND SHOULD NOT BE USED WITHOUT WRITTEN PERMISSION