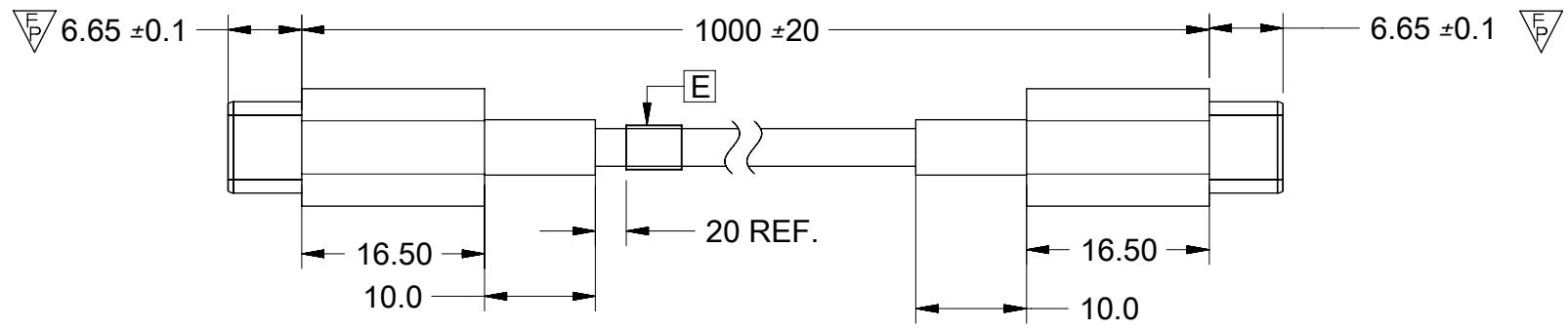
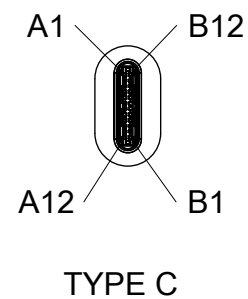
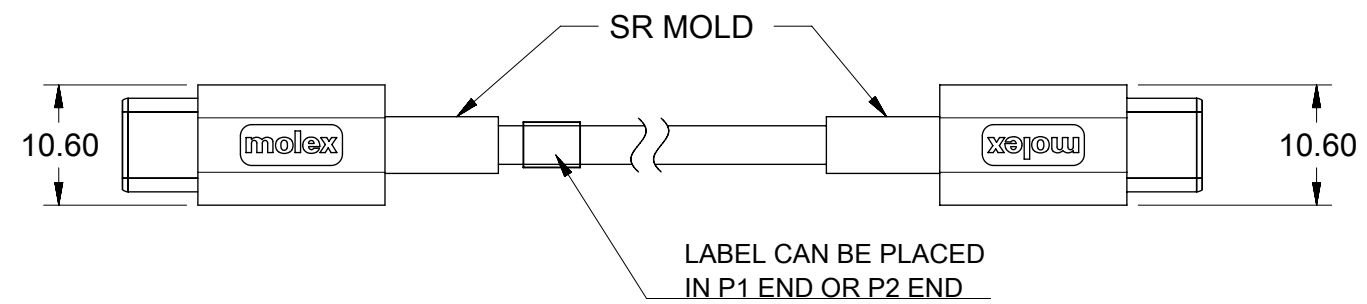
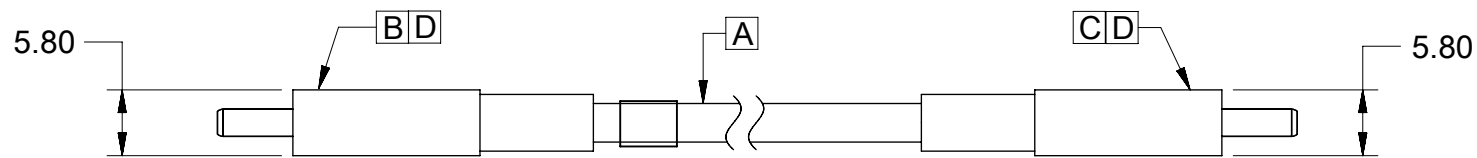
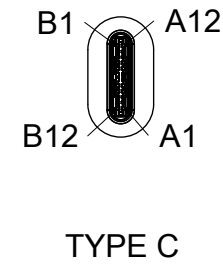


REVISIONS				
EC NO	DATE	REV	DESCRIPTION	CHANGER
NA	2017/12/13	A	INITIAL RELEASE	LUCY
CY18-5925	2018/07/25	B	CHANGE TYPE C PLUG AND RESIN	LUCY
CY18-6139	2018/9/14	C	CHANGE METAL SHELL AND DELETE PE RESIN	LUCY

P1



P2



E	LABEL	1
D	metal shell	2
C	USB Type C 5A PCBA without E-Mark	1
B	USB Type C 5A PCBA with E-Mark	1
A	1Px32AWG+2Cx26AWG+2Cx32AWG,shielded,TPE,BLACK,OD3.40mm,UL21394	AR
ITEM	DESCRIPTION	QTY.

SYMBOLS THIS DRAWING CONTAINS INFORMATION THAT IS PROPRIETARY TO MOLEX ELECTRONIC TECHNOLOGIES, LLC AND SHOULD NOT BE USED WITHOUT WRITTEN PERMISSION DIMENSION UNITS: mm SCALE: 1.5:1 GENERAL TOLERANCES (UNLESS SPECIFIED): ANGULAR TOL ± 3.0° 4 PLACES ± 3 PLACES ± 2 PLACES ± 0.25 1 PLACE ± 0.5 0 PLACES ± DRAFT WHERE APPLICABLE MUST REMAIN WITHIN DIMENSIONS THIRD ANGLE PROJECTION DRAWING: A3-SIZE SERIES: 201241	CURRENT REV DESC: EC NO: 604454 DRWN: ZZXIAN 2018/09/14 CHK'D: LLI205 2018/09/14 APPR: LHUI 2018/09/14 INITIAL REVISION: DRWN: XJGUO01 2016/09/01 APPR: FNIE 2018/01/03				
	USB 2.0 TYPE C TO C BLACK CABLE, L=1M, 5A		PRODUCT CUSTOMER DRAWING		
	DOCUMENT NUMBER: 2012410159		DOC TYPE: PSD	DOC PART: 000	REVISION: C
	MATERIAL NUMBER: 687980008	CUSTOMER: GENERAL MARKET	SHEET NUMBER: 1 OF 2		

NOTE:

1. OVERMOLDING SPECIFICATION:



- 1.1 SR MOLDING: TPE BLACK RESIN
- 1.2 OUTER MOLDING: TPE BLACK RESIN

2. APPLICATION CONDITION

- 2.1 WORKING TEMPERATURE: -10°--- +50°
- 2.2 STORAGE TEMPERATURE: -20°--- +60°

3. MECHANICAL PERFORMACNE

- 3.1.BENDING TEST:200G, +/-90°, 12~14CYCLES/MINUTES, R=25.4MM,
HORIZONTAL FOR 500 CYCLES AND VERTICAL FOR 500 CYCLES, NO LESS THAN
1000 times/cycles*3 CYCLES=3000 TIMES
- 3.2. CABLE SHOULD WITHSTAND A PULL FORCE 40N FOR ONE
MINUTE WITHOUT VISIBLE TERMINATION DAMAGE.PER EIA 364-38 METHOD A

4. ELECTRICAL PERFORMACNE

- 4.1 100% OPEN AND SHORT TEST
- 4.2 HIGH FREQUENCY ELECTRICAL PERFORMANCE MEET USB TYPE C - TYPE C, USB 2.0 REQUIREMENT.
- 4.3 CURRENT RATING:5A, VOLTAGE DROP SHALL BE 375mV FOR GND AND 625mV FOR VBUS.

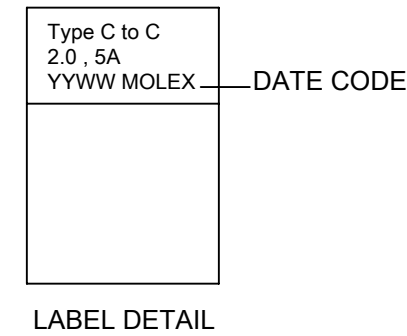
5. THIS PRODUCT MUST MEET EU ROHS

6.LABEL REQUIREMENT

- WHITE BACKGROUND WITH BLACK TEXT
- FONT: ARIAL; HEIGHT: 2mm REF;
- LEFT ON HORIZONTAL

7.THIS PRODUCT NEED ESD PROTECTION

8.PRODUCT NEED INPUT E-MARKER INFORMATION



PIN ASSIGNMENTS				
Type C(P1)	SIGNAL NAME	WIRE COLOR	SIGNAL NAME	Type C(P2)
⊙A1,B1,A12,B12	GND	DRAIN	GND	⊙A1,B1,A12,B12
A4,B4,A9,B9	VBUS	VIOLET	VBUS	A4,B4,A9,B9
		VIOLET		
A5	CC	BLUE	CC	A5
B5	VCONN	BROWN	VCONN	B5
A6	Dp1	GREEN	Dp1	A6
A7	Dn1	WHITE	Dn1	A7
⊙SHELL	SHIELD	BRAID	SHIELD	⊙SHELL

E-MARKER

SYMBOLS ▽ = 0 ▽ = 0 ▽ = 0 ▽ = 0 ▽ = 0 ▽ = 0 ▽ = 0 ▽ = 0 ▽ = 0 ▽ = 0 ▽ = 0	THIS DRAWING CONTAINS INFORMATION THAT IS PROPRIETARY TO MOLEX ELECTRONIC TECHNOLOGIES, LLC AND SHOULD NOT BE USED WITHOUT WRITTEN PERMISSION DIMENSION UNITS: mm SCALE: 1:1	CURRENT REV DESC: EC NO: 604454 DRWN: ZZXIAN 2018/09/14 CHK'D: LLI205 2018/09/14 APPR: LHUIU 2018/09/14 INITIAL REVISION: DRWN: XJGUO01 2016/09/01 APPR: FNIE 2018/01/03	molex			
	GENERAL TOLERANCES (UNLESS SPECIFIED) ANGULAR TOL ± 3.0°		USB 2.0 TYPE C TO C BLACK CABLE, L=1M, 5A			
	4 PLACES ± 3 PLACES ± 2 PLACES ± 0.25 1 PLACE ± 0.5 0 PLACES ±		PRODUCT CUSTOMER DRAWING			
	DRAFT WHERE APPLICABLE MUST REMAIN WITHIN DIMENSIONS THIRD ANGLE PROJECTION		DOCUMENT NUMBER: 2012410159 DOC TYPE: PSD DOC PART: 000 REVISION: C	SHEET NUMBER: 2 OF 2		