

RECOMMENDED P.C.B. PATTERN DIMENSION.(REFERENCE) (MOUNTING AREA)

注記 NOTES:

1. 使用材料 MATERIAL
 ハウジング: 液晶ポリマー ガラス充填 UL94V-0 茶色
 HOUSING: LIQUID CRYSTAL POLYMER, GLASS FILLED, UL94V-0, COLOR BROWN
 ターミナル: リン青銅 (t=0.15)
 TERMINAL: PHOSPHOR BRONZE (t=0.15)
2. メッキ仕様 PLATING
 金メッキ(コンタクト部) 0.25µm以上
 GOLD (CONTACT AREA) 0.25 MICROMETER MINIMUM.
 錫メッキ(テール部)
 TIN (TAIL AREA)
 下地メッキ: ニッケルメッキ 1.5µm以上
 UNDER PLATING: NICKEL 1.5 MICROMETER MINIMUM.
3. 嵌合相手: 503376シリーズ
 MATE WITH: 503376 SERIES.
4. テール平坦度は、0.08以下
 TAIL COPLANARITY TO BE 0.08 MAXIMUM
5. ELV及びRoHS適合品
 ELV AND RoHS COMPLIANT
6. 本製品は54552シリーズのボス無し、ロック無し品である。
 THIS PRODUCT IS NON-BOSS AND NON-LOCK VERSION OF 54552 SERIES.

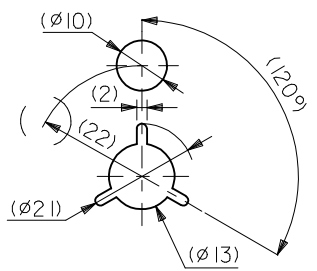
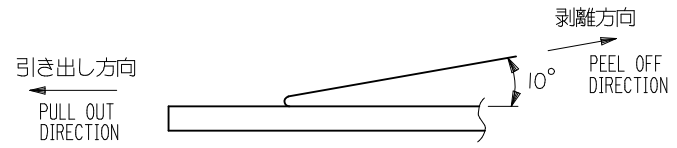
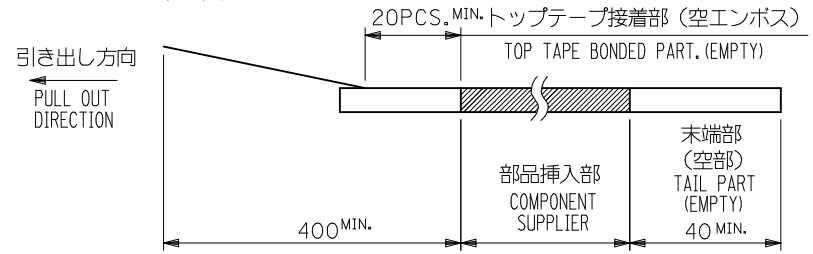
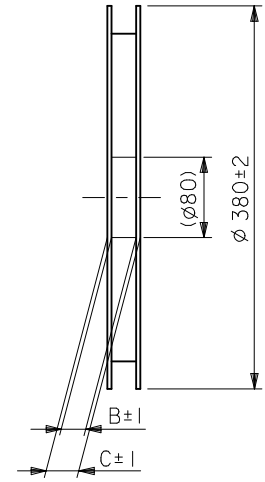
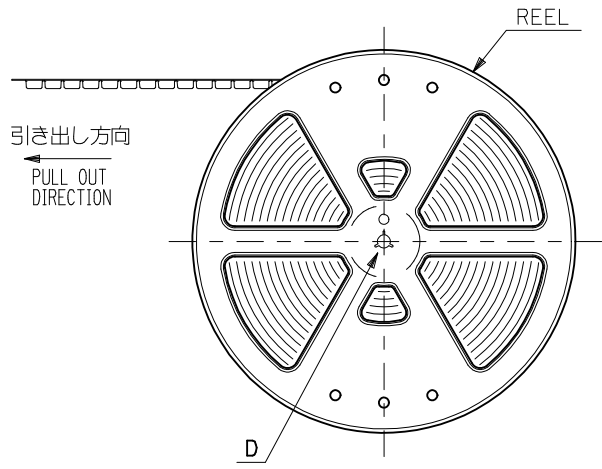
Δ テール部に適用
 APPLY TO THE TAIL AREA

11	9.6	11.6	54552-5010	50
C	B	A	EMBOSSED TAPE PKG	CIRCUITS
			ORDER No. オーダー番号	
			CONNECTOR SERIES No.	54552-**19

RELEASED EC NO.: J2013-0242 DRWG: GMATSUNO 2012/08/31 CHKD: TASAKAWA 2012/08/31 APPR: TASAKAWA 2012/08/31	DESCRIPTION REV	GENERAL TOLERANCES (UNLESS SPECIFIED)		DIMENSION STYLE	SCALE	DESIGN UNITS	THIRD ANGLE PROJECTION
				MM ONLY	---	METRIC	
		10 UNDER	± 0.2	DRAWN BY	DATE	TITLE	
		10 OVER 30 UNDER	± 0.25	GMATSUNO	2012/08/27	0.4 B/B CONN R/A REC HSG ASSY W/O BOSS W/O LOCK molex	
30 OVER	± 0.3	CHECKED BY	DATE				
ANGULAR ± 3 °		TASAKAWA	2012/08/27				
DRAFT WHERE APPLICABLE MUST REMAIN WITHIN DIMENSIONS		APPROVED BY	DATE				
		TASAKAWA	2012/08/31	MATERIAL NO.	DOCUMENT NO.	SHEET NO.	
				SEE CHART	SD-54552-027	1 OF 1	
		THIS DRAWING CONTAINS INFORMATION THAT IS PROPRIETARY TO MOLEX INCORPORATED AND SHOULD NOT BE USED WITHOUT WRITTEN PERMISSION					

NOTES

- 製品詳細寸法については SD-54552-027 を参照ください。
RE DETAILED DIMENSION, SEE SD-54552-027
- 梱包数量：1500個/リール
NUMBER OF CONNECTORS : 1500PCS/REEL
- リードテープ長さ LEAD TAPE LENGTH
20PCS. MIN. トップテープ接着部 (空エンボス)
TOP TAPE BONDED PART. (EMPTY)
- トップテープの剥離強度：0.1 ~ 1.3N {10 ~ 130gf} (剥離方向は下図参照)
尚、本規格値は出荷時に適用。(但し、輸送時に剥離が発生しないこと。)
PEELING OFF FORCE OF TOP TAPE : 0.1 ~ 1.3N {10 ~ 130gf}
(PEELING DIRECTION AS SHOWN IN FOLLOWING FIG.)
THIS REQUIREMENT SHOULD BE APPLIED AT SHIPMENT.
PEEL OFF SHOULD NOT BE ALLOWED , DURING TRANSPORTATION.
- 材料 (MATERIAL)
キャリアテープ (CARRIER TAPE) : ポリプロピレン (POLYPROPYLENE)
トップテープ (TOPTAPE) : PET , PE , PEF
リール (REEL) : ポリスチレン (P S) (リサイクル材を含む)
POLYSTYRENE (PS) <RECYCLE MATERIAL CONTAINED>
- ELV 及び RoHS 適合品
ELV AND RoHS COMPLIANT.
- 本製品は、54552シリーズのボス無し、ロック無し品である。
THIS PRODUCT IS NON-BOSS AND NON-LOCK VERSION OF 54552 SERIES.

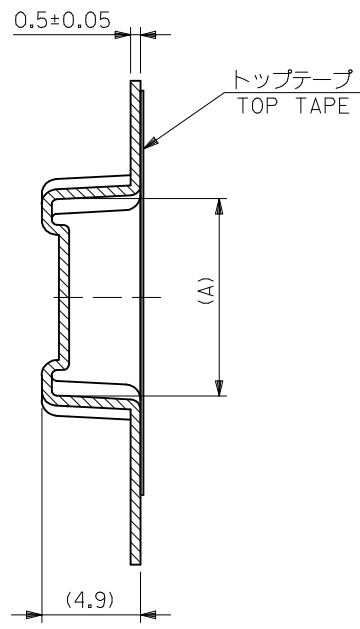


DETAIL D

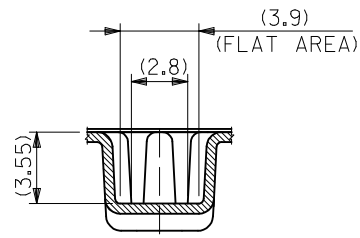
54552-5010	50
EMBOSSED TAPE PKG.	極数
ORDER No. オーダー番号	CIRCUITS

CONNECTOR SERIES No. 54552-**10

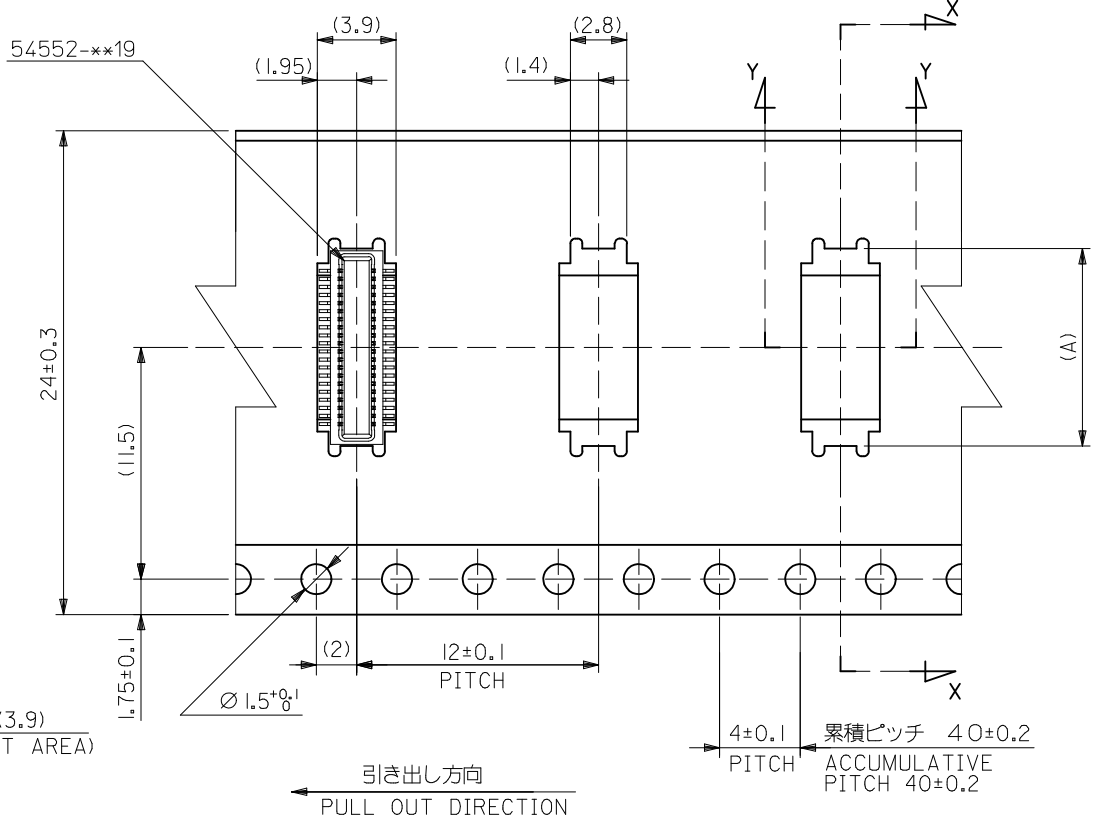
RELEASED EC NO.: J2013-0242 DRWG: GMATSUNO 2012/08/31 CHKD: TASKAWA 2012/08/31 APPR: TASAKAWA 2012/08/31	GENERAL TOLERANCES (UNLESS SPECIFIED)		DIMENSION STYLE MM ONLY		SCALE ---	DESIGN UNITS METRIC	THIRD ANGLE PROJECTION
	10 UNDER	±0.2	DRAWN BY GMATSUNO	DATE 2012/08/27	TITLE EMBSTP PKG FOR 0.4 B/B CONN. RA REC ASSY W/O BOSS W/O LOCK		
	10 OVER 30 UNDER	±0.25	CHECKED BY TASAKAWA	DATE 2012/08/27			
	30 OVER	±0.3	APPROVED BY TASAKAWA	DATE 2012/08/31			
0	ANGULAR ±3 °	MATERIAL NO. SEE CHART		DOCUMENT NO. SD-54552-028	SHEET NO. 1 OF 2		
	DRAFT WHERE APPLICABLE MUST REMAIN WITHIN DIMENSIONS	THIS DRAWING CONTAINS INFORMATION THAT IS PROPRIETARY TO MOLEX INCORPORATED AND SHOULD NOT BE USED WITHOUT WRITTEN PERMISSION					



SECT X-X



SECT Y-Y



24mm幅キャリアテープ
 24mm WIDTH CARRIER TAPE

24	29.4	25.4	11.8	54552-5010	50
キャリアテープ幅 CARRIER TAPE WIDTH	C	B	(A)	EMBOSSED TAPE PKG. ORDER No. オーダー番号	極数 CIRCUITS

RELEASED EC NO: J2013-0242 DRWG: GMATSUNO 2012/08/31 CHKD: TASAKAWA 2012/08/31 APPR: TASAKAWA 2012/08/31 REV: 0	GENERAL TOLERANCES (UNLESS SPECIFIED)		DIMENSION STYLE MM ONLY		SCALE ---	DESIGN UNITS METRIC	THIRD ANGLE PROJECTION
	10 UNDER	±0.2	DRAWN BY GMATSUNO	DATE 2012/08/27	TITLE EMBSTP PKG FOR 0.4 B/B CONN. RA REC ASSY W/O BOSS W/O LOCK		
	10 OVER 30 UNDER	±0.25	CHECKED BY TASAKAWA	DATE 2012/08/27	molex DOCUMENT NO. SD-54552-028 SHEET NO. 2 OF 2		
	30 OVER	±0.3	APPROVED BY TASAKAWA	DATE 2012/08/31			
	ANGULAR ±3 °		MATERIAL NO.		SEE CHART		
DRAFT WHERE APPLICABLE MUST REMAIN WITHIN DIMENSIONS		SIZE A3		THIS DRAWING CONTAINS INFORMATION THAT IS PROPRIETARY TO MOLEX INCORPORATED AND SHOULD NOT BE USED WITHOUT WRITTEN PERMISSION			