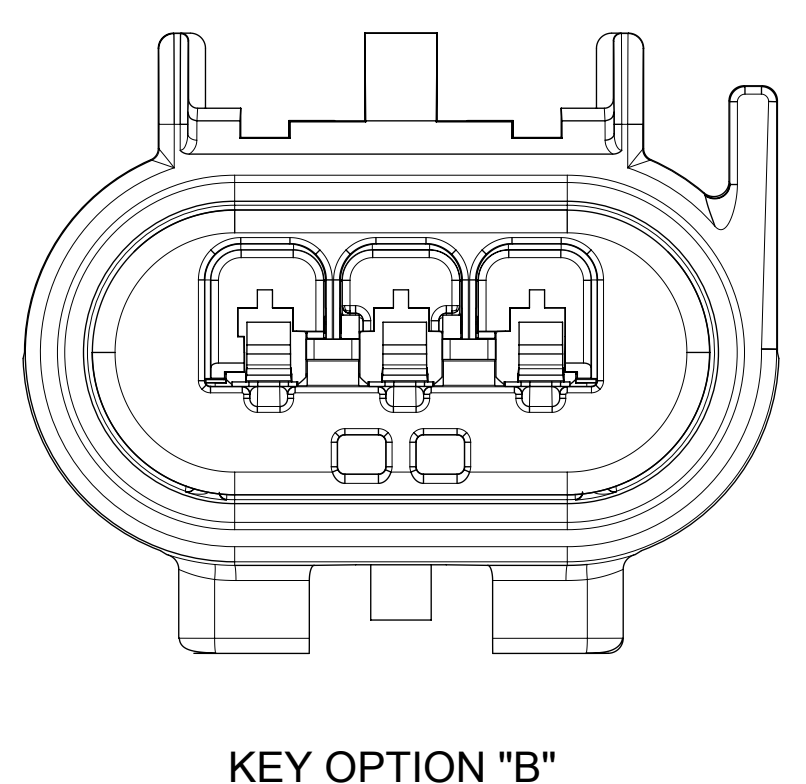
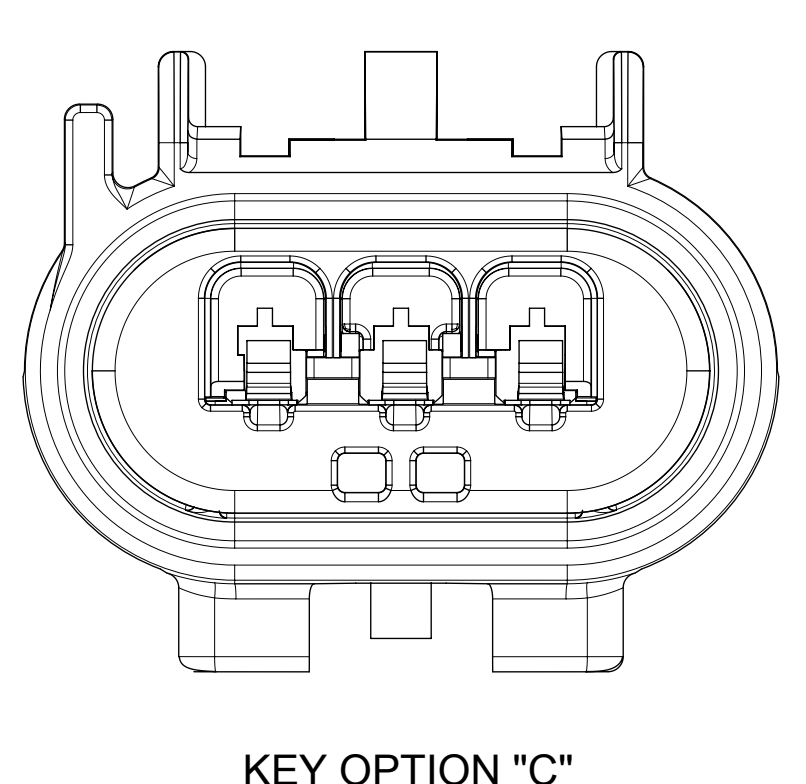


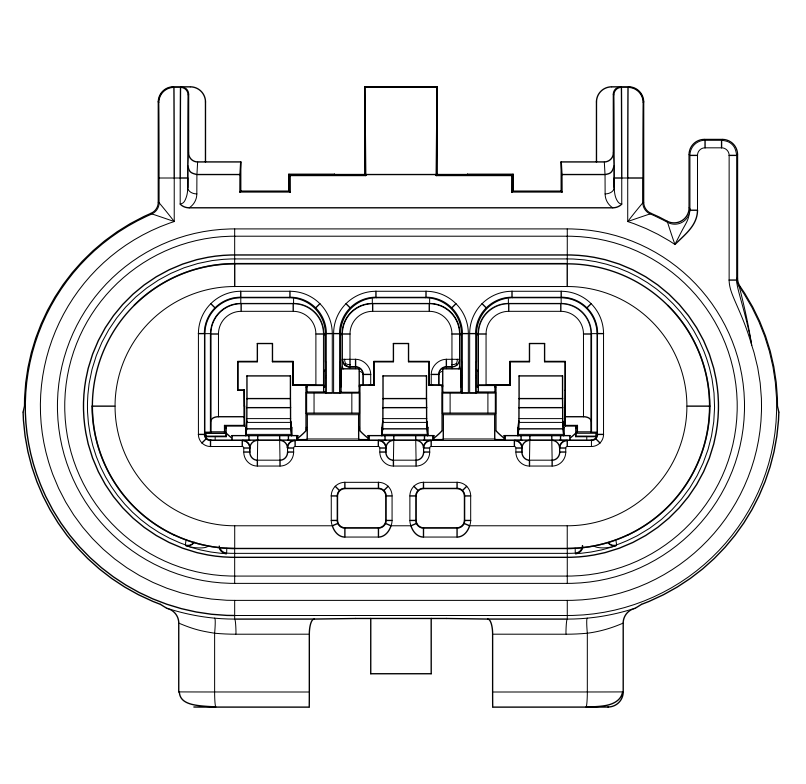
KEY OPTION "A"



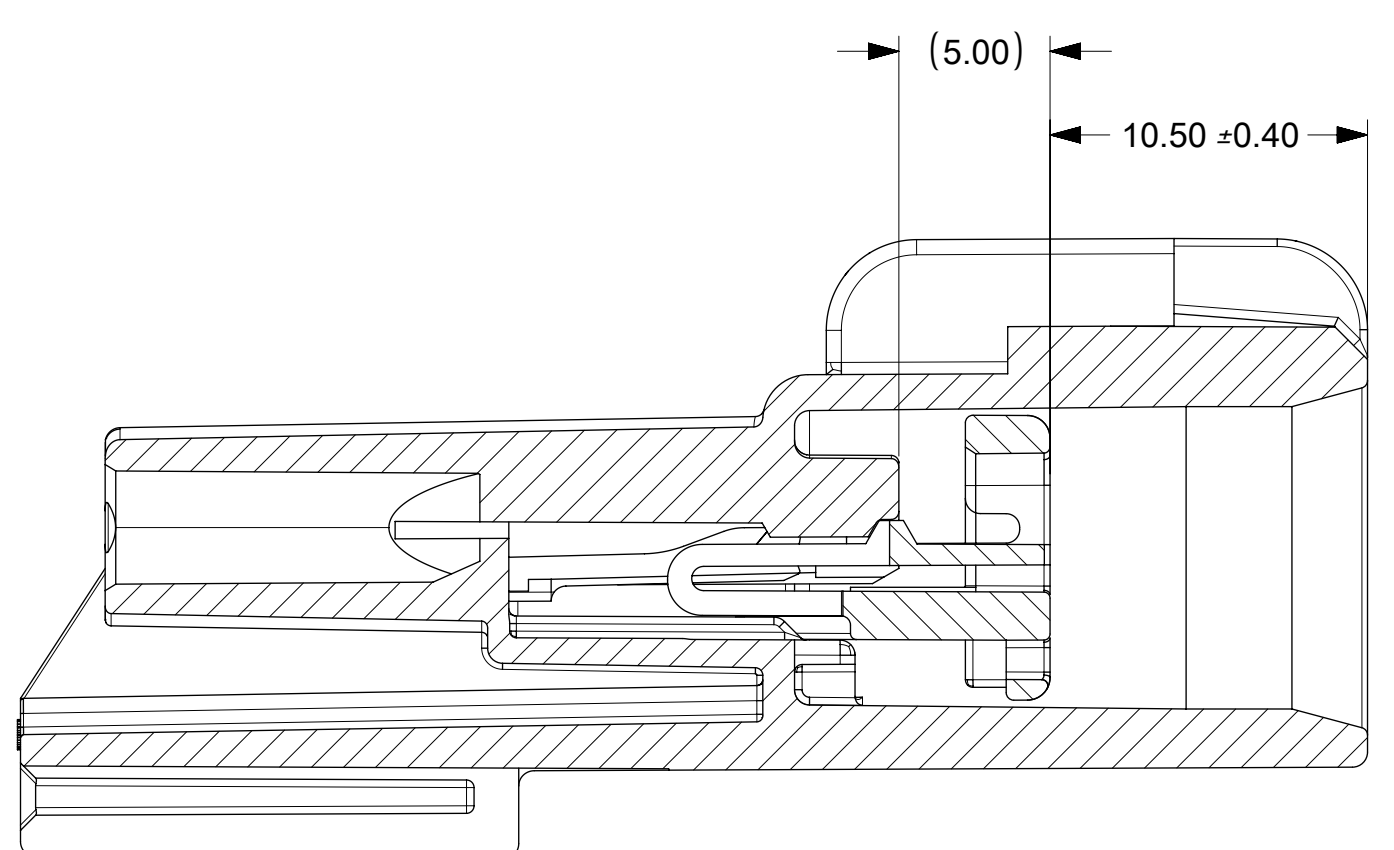
KEY OPTION "B"



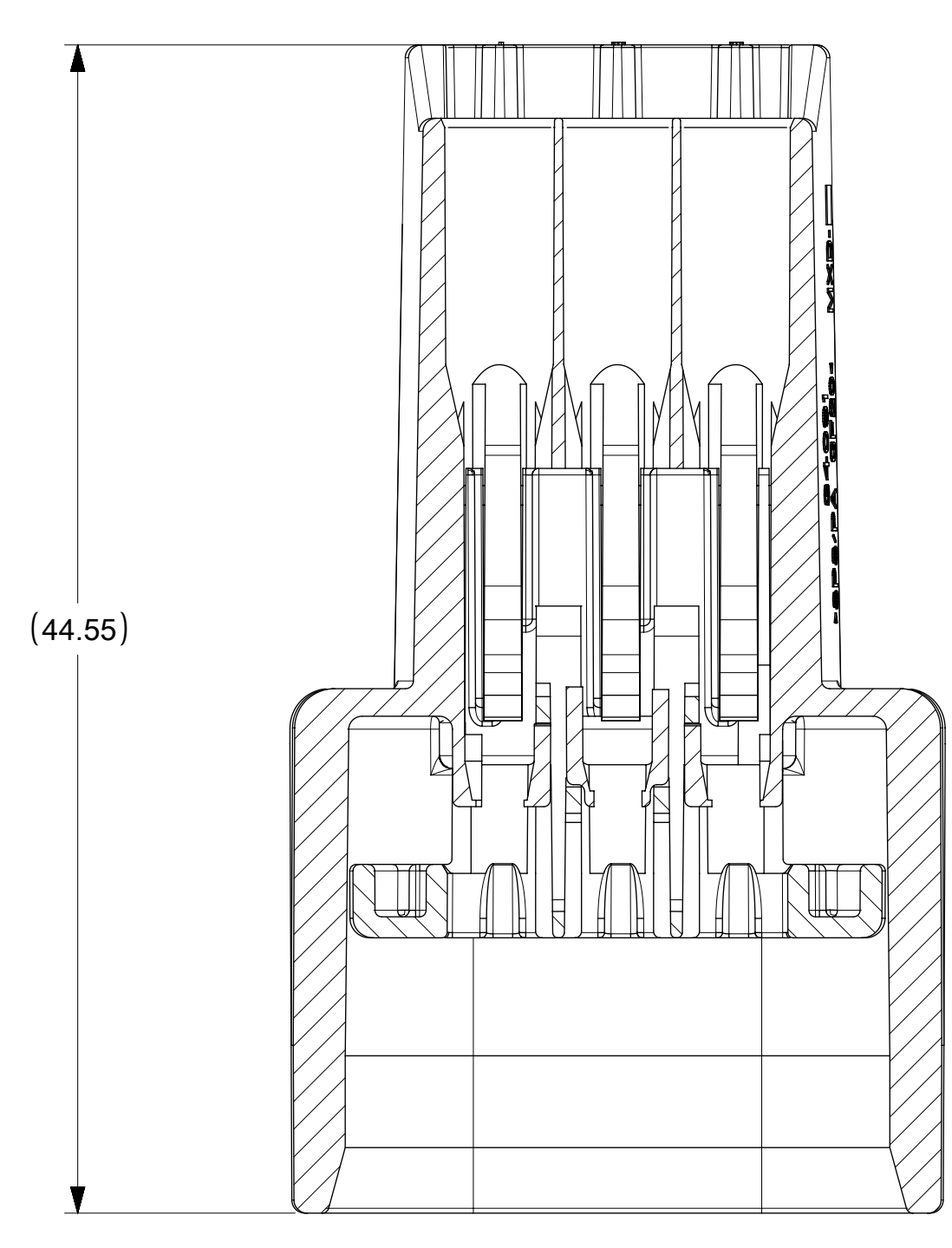
KEY OPTION "C"



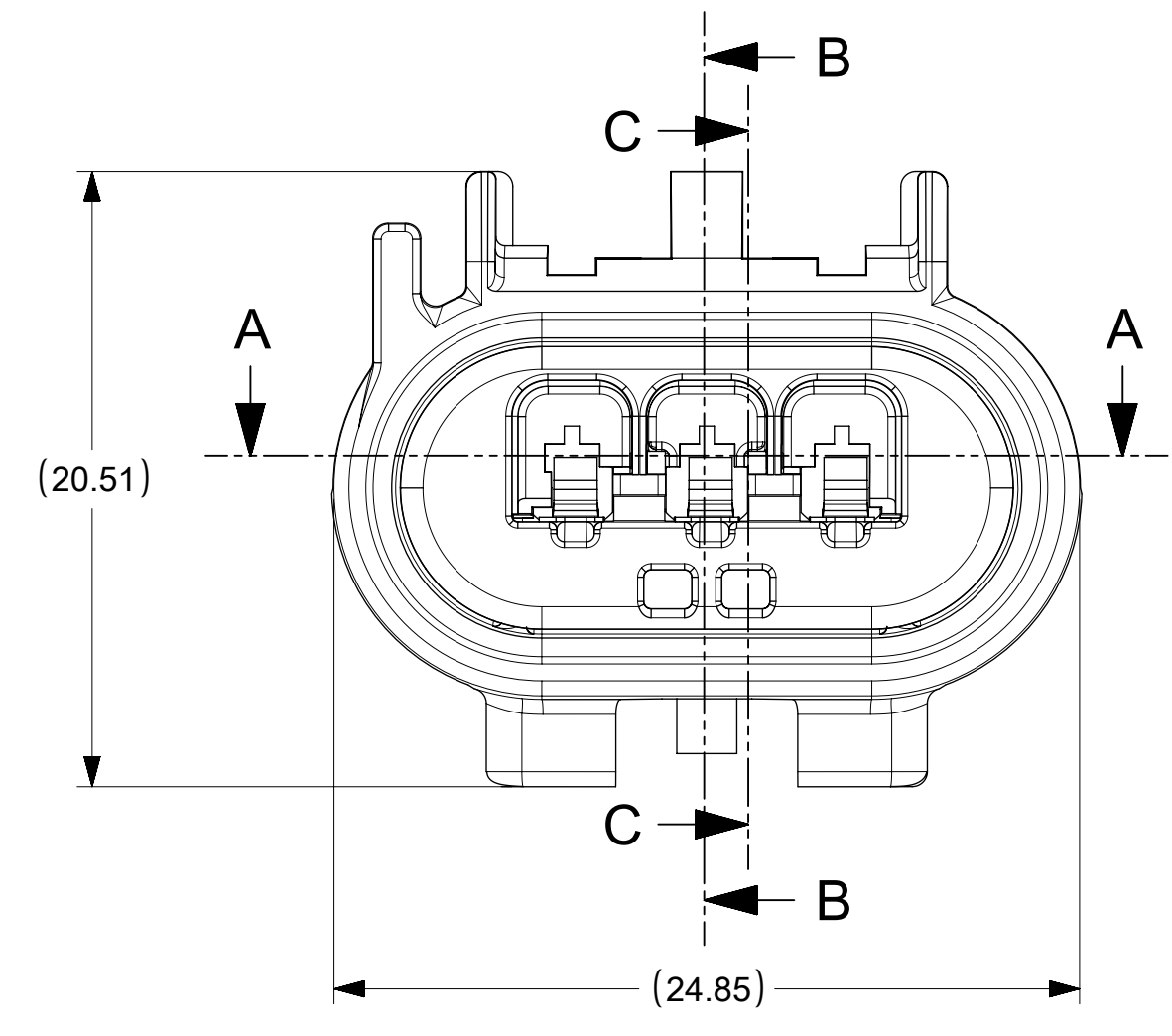
KEY OPTION "D"



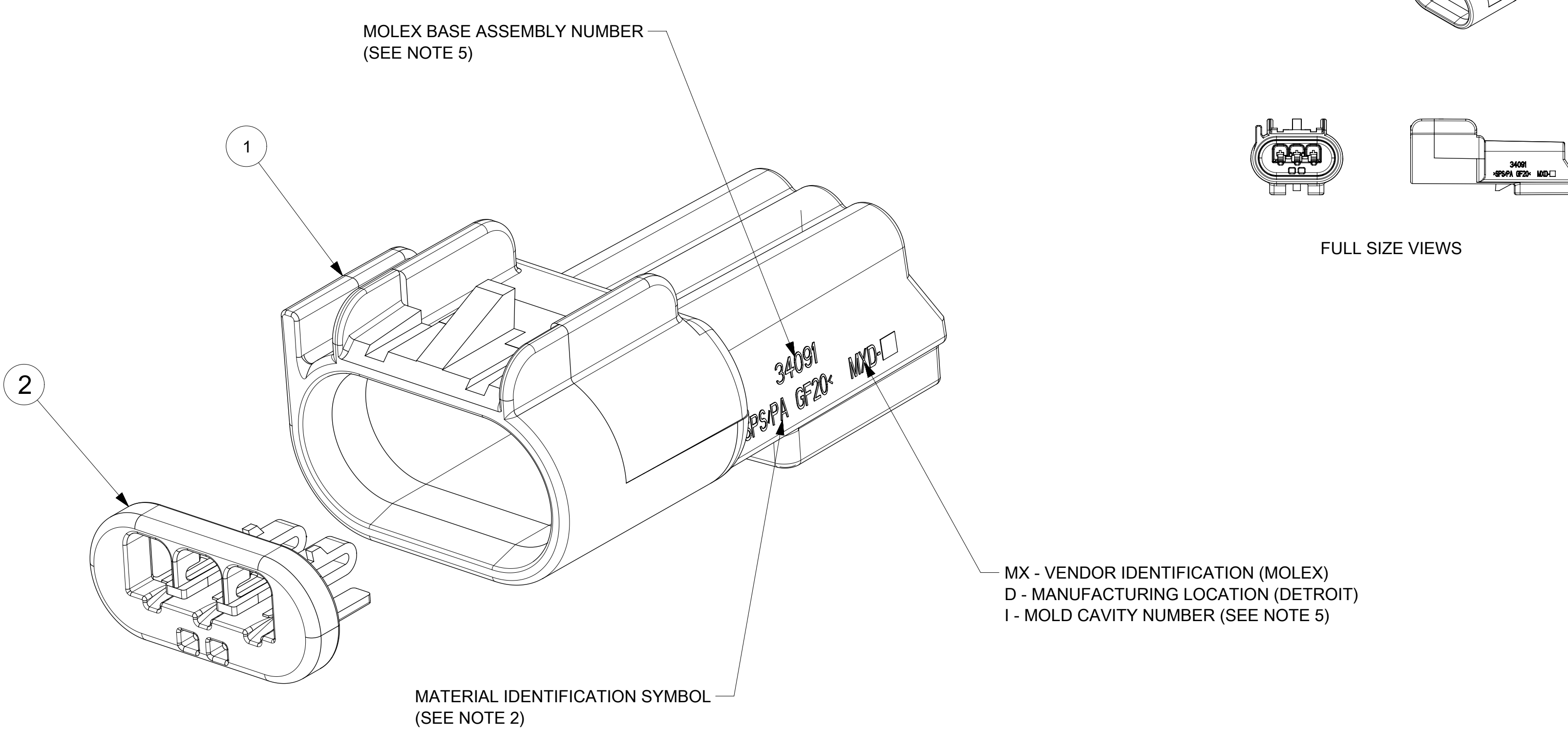
SECTION C-C
TPA SHOWN IN PRELOCK



SECTION A-A

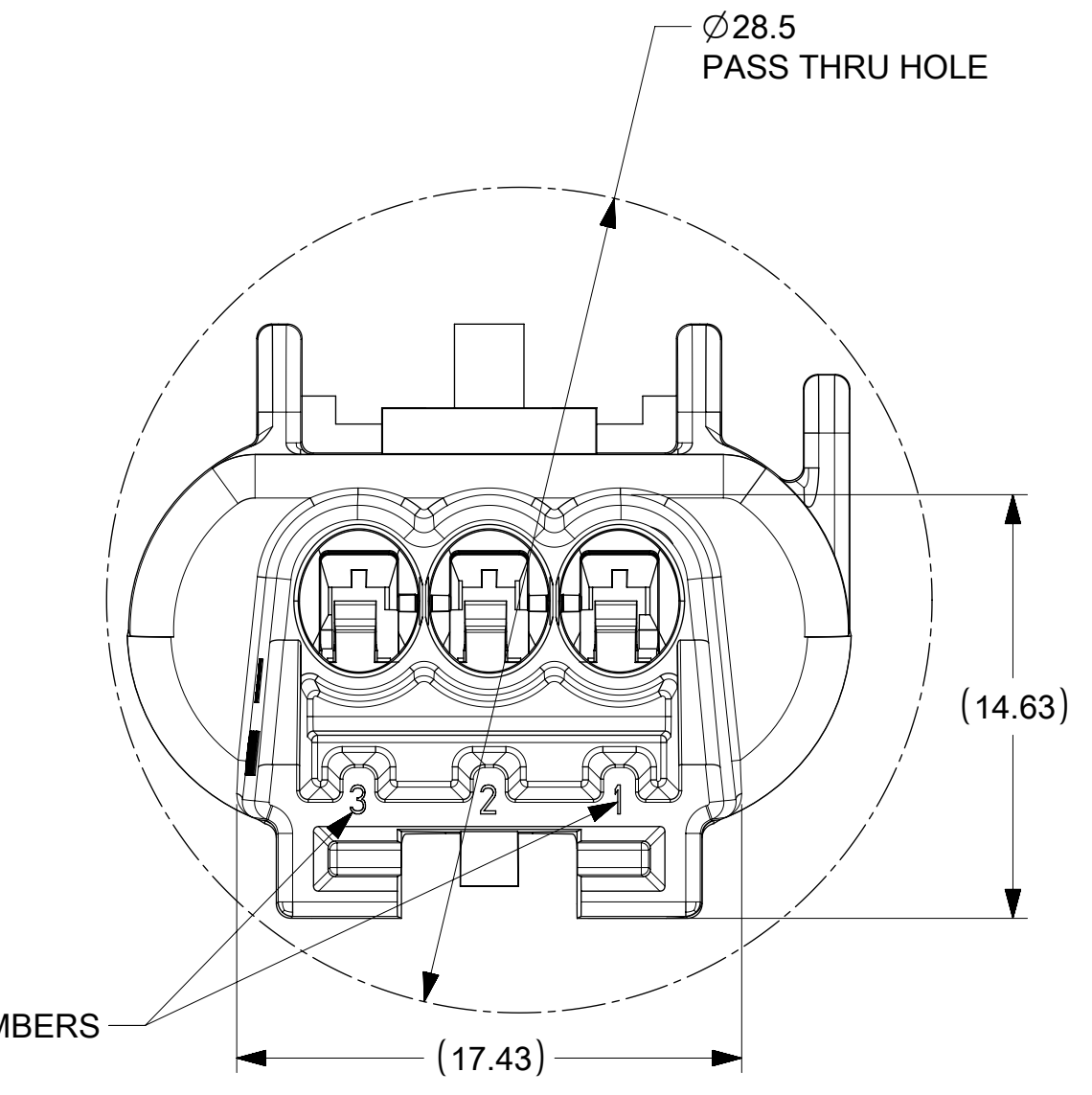


SECTION B-B



FULL SIZE VIEWS

MX - VENDOR IDENTIFICATION (MOLEX)
D - MANUFACTURING LOCATION (DETROIT)
I - MOLD CAVITY NUMBER (SEE NOTE 5)



CIRCUIT ID NUMBERS

UNLESS OTHERWISE SPECIFIED:

- FINAL CONNECTOR ASSEMBLY MUST MATE TO RECEPTACLE ASSEMBLY SPECIFIED ON FORD DRAWINGS 4L3T-14A464-VA AND 5L3T-14A464-BA
- WHEREVER SIZE PERMITS, ALL PLASTIC PARTS MUST HAVE MATERIAL IDENTIFICATION SYMBOLS CLEARLY MARKED.
- CHANGES IN DESIGN COMPOSITION OR PROCESSING FROM THE PART PREVIOUSLY APPROVED FOR PRODUCTION REQUIRES PRIOR ENGINEERING APPROVAL.
- PARTS MUST BE FREE OF SCRATCHES, DISCOLORATION, SALT RESIDUE OR OTHER IMPERFECTIONS THAT MAY AFFECT FUNCTION OR FIT OF PARTS.
- SOURCE IDENTIFICATION MARK, PRODUCTION DATE CODE AND MOLEX ASSEMBLY PART NUMBER MUST BE PERMANENTLY APPLIED ON THE PART WITH 1.5mm LETTER SIZE FROM THE BOTTOM TO THE TOP OF THE CHARACTER AND LEGIBLE WHEREVER PACKAGE SIZE PERMITS OR OTHER AGREEMENTS ARE MADE.
- PART MUST CONFORM TO THE ELECTRICAL CONNECTION SYSTEM DESIGN SPECIFICATION (SDS) REVISION 8 (DATED 11-20-00).
- PART MUST CONFORM TO SAE/USCAR-2 REV. 3 DATED APRIL 2001 - CLASS 3
- MAXIMUM USER FORCE TO MATE CONNECTOR FULLY POPULATED WITH TIN TERMINALS SHALL BE 55 N.
- FOR BLADE TERMINALS AND WIRE SEALS TO BE USED WITH THIS ASSEMBLY, SEE TABLE FOR APPLICABLE COMPONENTS.
- 0.3mm MAXIMUM RADIUS PERMISSIBLE ON EDGES AND FILLETS SHOWN AS SHARP.
- IT IS INTENDED TO COMPLY WITH USCAR DRAWING NO. 150-S-003-1-202 WITH THE FOLLOWING EXCEPTIONS:
(1.60) WAS 1.2
(14.05) WAS 14.20
R(3.00) WAS R1.0
- PACKAGING: PLEASE REFER TO PK-31300-004

ITEM	DESCRIPTION	COLOR	MATERIAL	NO. OF ITEMS REQUIRED
1	HOUSING - MALE 3WAY (KEY OPTION "C")	BROWN	SPS/PA GF20%	1
	HOUSING - MALE 3WAY (KEY OPTION "D")	GREEN	SPS/PA GF20%	1
	HOUSING - MALE 3WAY (KEY OPTION "D")	BLACK	SPS/PA GF20%	1
	HOUSING - MALE 3WAY (KEY OPTION "C")	DARK GRAY	SPS/PA GF20%	1
	HOUSING - MALE 3WAY (KEY OPTION "D")	STONE GRAY	SPS/PA GF20%	1
2	TERMINAL POSITION ASSURANCE DEVICE (TPA)	NATURAL	PBT GF30%	1 1 1 1 1

MOLEX ASM NUMBERS	STATUS
34091-0003	SALEABLE
34091-0004	SALEABLE
34091-0005	SALEABLE
34091-0006	SALEABLE
34091-0007	SALEABLE

TERMINAL/WIRE/SEAL APPLICATION							
DESCRIPTION	PLATING	FORD COMPONENT NO.	MATERIAL/SPEC. NO.	WIRE TYPE AND SIZE ESB-MIL123-A	WIRE DIAMETER RANGE	WIRE SEAL	COLOR
1.5 TERMINAL (M)	TIN	97BG-14421-ADA	COPPER ALLOY/WSS-M99P23-B	22, 20 AWG	1.19 - 1.65 O.D.	97BG-10C930-SBA	PINK
1.5 TERMINAL (M)	TIN	97BG-14421-AEA	COPPER ALLOY/WSS-M99P23-B	18, 16 AWG	1.60 - 2.10 O.D.	XW43-14603-AA	GREEN
1.5 TERMINAL (M)	GOLD	97BG-14421-AHA	COPPER ALLOY/WSS-M99P23-B	22, 20 AWG	1.19 - 1.65 O.D.	97BG-10C930-SBA	PINK
1.5 TERMINAL (M)	GOLD	97BG-14421-AJA	COPPER ALLOY/WSS-M99P23-B	18, 16 AWG	1.60 - 2.10 O.D.	XW43-14603-AA	GREEN

THIS DRAWING CONTAINS INFORMATION THAT IS PROPRIETARY TO MOLEX ELECTRONIC TECHNOLOGIES, LLC AND SHOULD NOT BE USED WITHOUT WRITTEN PERMISSION

QUALITY SYMBOLS	<p>2019/08/14</p> <p>2019/08/21</p> <p>2019/08/21</p> <p>EC NO: 619197</p> <p>DRWN: XLDONG03</p> <p>CHKD: JDENG02</p> <p>REV APPR: JDENG02</p>	<p>GENERAL TOLERANCES (UNLESS SPECIFIED)</p> <p>ANGULAR TOL ±</p> <p>4 PLACES ±</p> <p>3 PLACES ±</p> <p>2 PLACES ±</p> <p>1 PLACE ±</p> <p>0 PLACES ±</p> <p>DRAFT WHERE APPLICABLE MUST REMAIN WITHIN DIMENSIONS</p>	<p>DIMENSION UNITS</p> <p>MM</p> <p>SCALE</p> <p>4:1</p> <p>DRWN BY</p> <p>DLANGOLF</p> <p>DATE</p> <p>11/20/02</p> <p>CHK'D BY</p> <p>RKAKKURI</p> <p>DATE</p> <p>11/20/02</p> <p>APPR BY</p> <p>CPENDLETON</p> <p>DATE</p> <p>11/20/02</p> <p>DRAWING SIZE</p> <p>E</p> <p>THIRD ANGLE PROJECTION</p>	<p>PRODUCT CUSTOMER DRAWING</p> <p>SERIES</p> <p>34091</p> <p>MATERIAL NUMBER</p> <p>SEE CHART</p> <p>CUSTOMER</p> <p>GENERAL MARKET</p> <p>DOCUMENT NUMBER</p> <p>SD-34091-001</p> <p>DOC TYPE</p> <p>PSD</p> <p>DOC PART</p> <p>000</p> <p>SHEET NUMBER</p> <p>1 OF 1</p>
-----------------	--	--	---	---