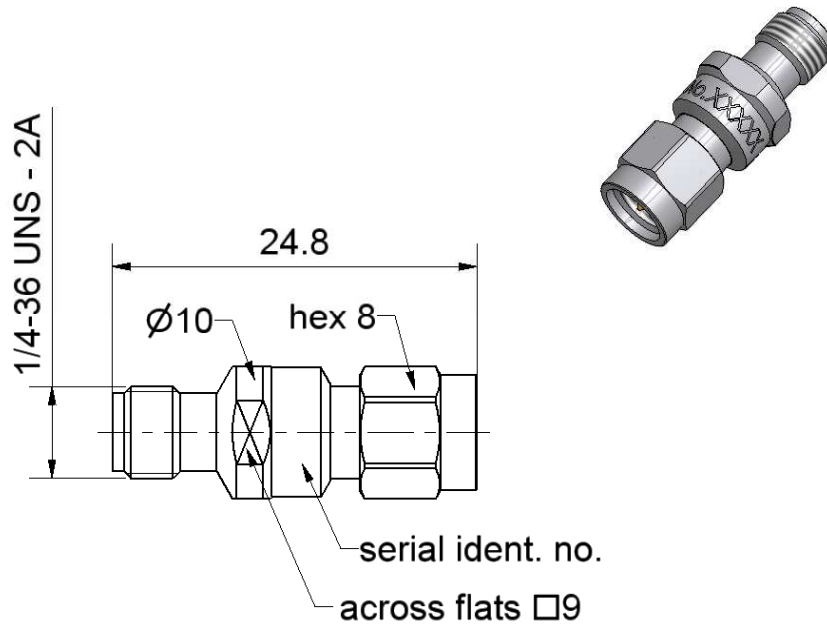


RPC-2.92 Attenuator Plug/Jack

02AS102-K20S3



All dimensions are in mm; tolerances according to ISO 2768 m-H

Interface

According to IEC 61169-35
 Mechanically compatible with RPC-3.50 and SMA

Documents

N/A

Material and plating

Connector parts

Center conductor - plug
 Center conductor - jack
 Outer conductor
 Coupling nut
 Dielectric
 Substrate

Material

CuBe
 CuBe
 Stainless steel
 Stainless steel
 PEEK
 Al₂O₃

Plating

Gold, min. 1.27 µm, over nickel
 Gold, min. 1.27 µm, over nickel
 Passivated
 Passivated

Dieses Dokument ist urheberrechtlich geschützt • This document is protected by copyright • Rosenberger Hochfrequenztechnik GmbH & Co. KG

RF_35/09;14/6.2

RPC-2.92

Attenuator
Plug/Jack

02AS102-K20S3

Electrical data

Impedance 50 Ω
 Frequency range DC to 40 GHz
 Return loss ≥ 26.4 dB, DC to 4 GHz
 ≥ 19.1 dB, 4 GHz to 40 GHz
 Attenuation 20 dB, ± 0.3 dB, DC to 4 GHz
 20 dB ± 0.5 dB, 4 GHz to 40 GHz
 Power handling 0.5 W at 25 °C

Mechanical data

Mating cycles ≥ 500
 Maximum torque 1.70 Nm
 Recommended torque 0.90 Nm
 Gauge 0.00 mm to 0.08 mm

Environmental data

Operating temperature range¹ 0 °C to +50 °C
 Storage temperature range -40 °C to +85 °C
 RoHS compliant

¹ Temperature range over which these specifications are valid.

Packing

Standard 1 pce in box
 Weight 7.5 g/pce

While the information has been carefully compiled to the best of our knowledge, nothing is intended as representation or warranty on our part and no statement herein shall be construed as recommendation to infringe existing patents. In the effort to improve our products, we reserve the right to make changes judged to be necessary.

Draft	Date	Approved	Date	Rev.	Engineering change number	Name	Date
Kerstin Herzog	08.03.07	Markus Müller	17.11.15	e00	15-1421	Marion Striegler	17.11.15

Rosenberger Hochfrequenztechnik GmbH & Co. KG
 P.O.Box 1260 D-84526 Tittmoning Germany
www.rosenberger.de

Tel. : +49 8684 18-0
 Email : info@rosenberger.de

Page
 2 / 2