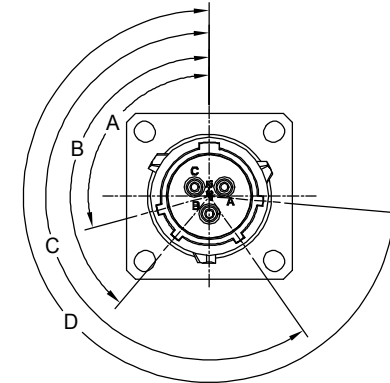
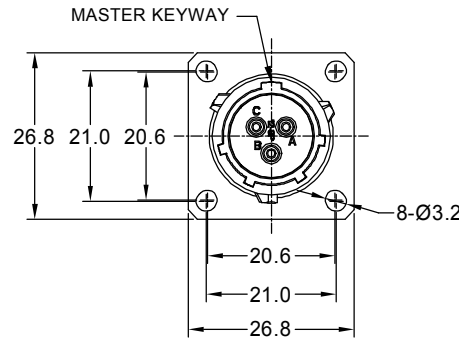
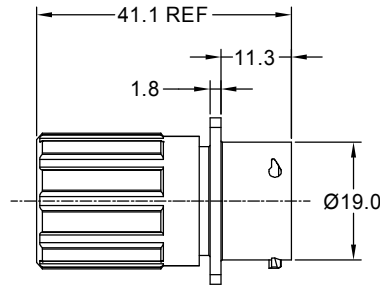


REVISIONS					
REV	ECO	DESCRIPTION	DATE	BY	APPR
B1	-	RELEASED DRAWING	Nov-17-2014	Ben	Tommy
B2	-	VOLTAGE UPDATE AND ADD KEY ICON	Nov-23-2020	Ronald	Tommy



NOTES : (UNLESS OTHERWISE SPECIFIED)

1. MATERIAL :

- SHELL : ZINC ALLOY , NICKEL PLATED.
- INSERT : THERMOPLASTIC , UL94 V-0.
- END CAP : THERMOPLASTIC , UL94 V-0.
- PLASTIC BUSHING : THERMOPLASTIC , UL94 V-0.
- SEAL GASKET : NBR/SILICONE RUBBER.
- O-RING : NBR/SILICONE RUBBER.
- WIRE SEAL : SILICONE RUBBER.

2. SPECIFICATIONS :

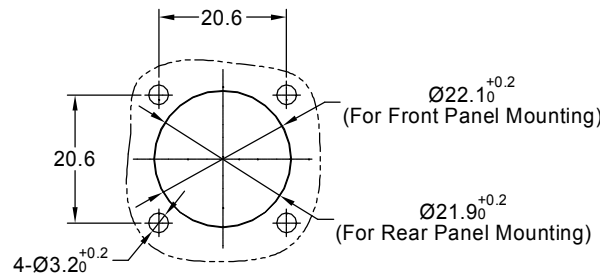
- 2.1 RATED CURRENT : 13A (MAX).
- 2.2 RATED VOLTAGE : 500V ( AC/DC ) .
- 2.3 OPERATING TEMPERATURE : SEE CHART.
- 2.4 DIELECTRIC WITHSTANDING VOLTAGE : LESS THAN 2 MILLIAMPS CURRENT LEAKAGE@2000 VOLTS AC.
- 2.5 INSULATION RESISTANCE : 5000 MEGOHMS MIN.
- 2.6 IP--CLASS : IP67 (MATED CONDITION).
- 2.7 MATING CYCLES DURABILITY : 500 CYCLES MIN.
- 2.8 ROHS COMPLIANT.

3. SUITABLE CONTACTS : 16# CONTACTS.

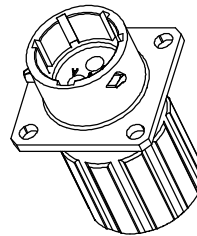
4. ALL DIMENSIONS ARE FOR REFERENCE USE ONLY.

5. CONTACT SIZE AND REAR SEAL WIRE RANGE :

CONTACT SIZE	MIN. INSUL O.D.	MAX. INSUL O.D.	WIRE RANGE
16#	Ø2.0mm	Ø3.2mm	14 - 24AWG



PANEL CUT OUT REFERENCE



KEY POS	PART NUMBER		A	B	C	D
	-40°C ~ 105°C	-40°C ~ 125°C				
N	RT00123PNHEC	RT00123PNHEC03	105"	140"	215"	265"
W	RT00123PWHEC	RT00123PWHEC03	60"	140"	215"	265"
X	RT00123PXHEC	RT00123PXHEC03	105"	155"	215"	265"
Y	RT00123PYHEC	RT00123PYHEC03	105"	140"	225"	265"
Z	RT00123PZHEC	RT00123PZHEC03	105"	140"	215"	295"

QUANTITY	SEE PART NUMBER CHART	DESCRIPTION	ITEM
<b>MATERIALS LIST</b>			
<b>UNLESS OTHERWISE SPECIFIED</b> 1) All dimensions are in metric(mm). 2) Tolerances are as follows: 1 PL DEC ±0.30 Fractions ±1/64 2 PL DEC ±0.15 Angles ±1° 3 PL DEC ±0.08 3) Note reference =		<b>SIGNATURES</b> <b>DATE</b> DRAWN: <b>Ronald</b> <b>Nov-23-2020</b> CHECKED: <b>Ronald</b> <b>Nov-24-2020</b> ENGINEER: APPROVAL: <b>Tommy</b> <b>Nov-25-2020</b> CUSTOMER:	 Sine Systems - www.amphenol-sine.com 44724 Morley Drive Clinton Township, MI 48036
MATERIAL SPECIFICATIONS: THIS DRAWING IS SUPPLIED FOR INFORMATION ONLY. DESIGN FEATURES, SPECIFICATIONS AND PERFORMANCE DATA SHOWN HEREON ARE THE PROPERTY OF THE AMPHENOL CORPORATION. NO RIGHTS OF REPRODUCTION ARE IMPLIED. ALL DIMENSIONS ARE SUBJECT TO NORMAL MANUFACTURING VARIATIONS.		<b>SIZE</b> <b>TYPE</b> <b>DWG NO.</b> <b>B</b> <b>C-</b> <b>RT00123P*HEC</b> <b>SCALE</b> <b>NONE</b>	<b>REVISION</b> <b>B2</b> SHEET 1 OF 1

TITLE: ECOMATE RM,RECEPTACLE, SIZE 12,3POS,PIN,END CAP.  
 DWG NO.: RT00123P\*HEC  
 REV: B2  
 SH: 1  
 OF: 1