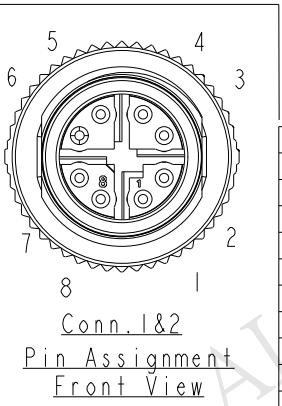
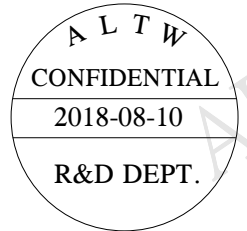
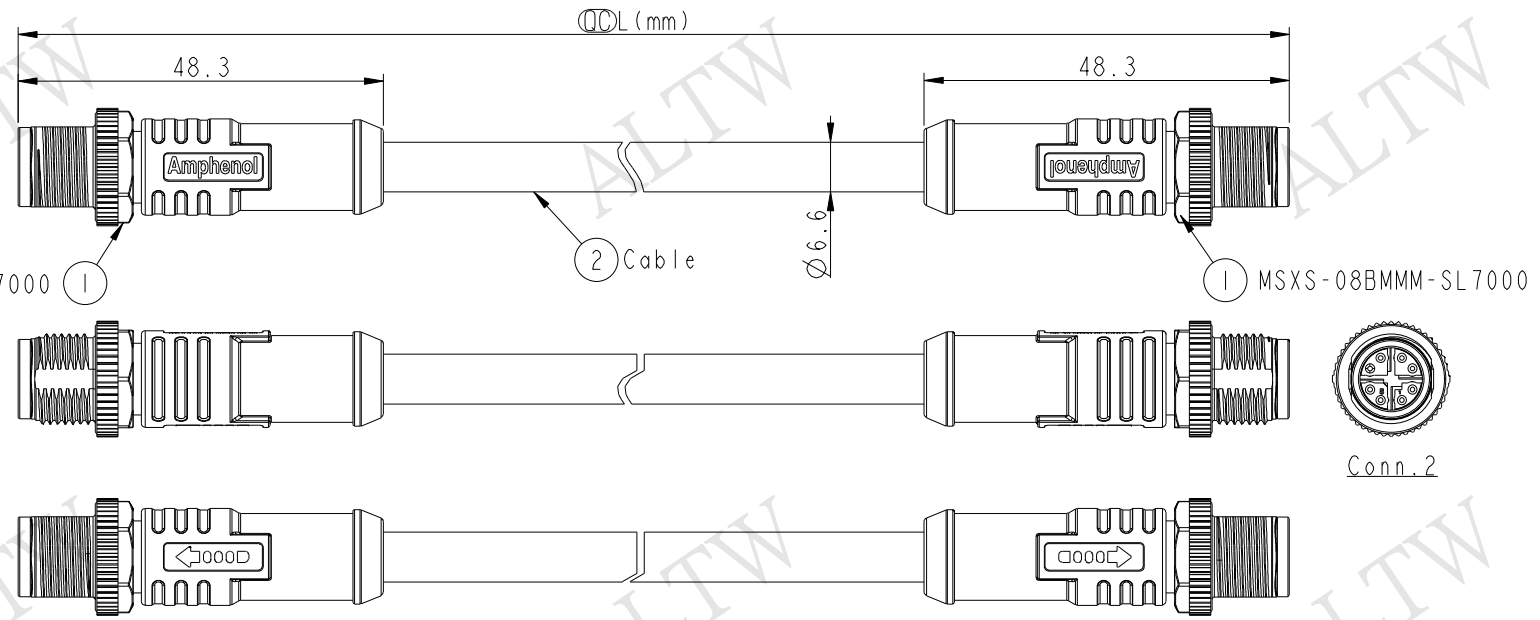
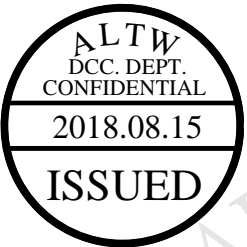


THIS DOCUMENT IS SUBJECT TO CHANGE WITHOUT NOTICE. IT IS CONFIDENTIAL AND A PROPERTY OF Amphenol LTW. DISCLOSURE TO THIRD PARTY HAS TO BE AUTHORIZED BY Amphenol LTW.

REV.	ECN NO.	DATE	SIGN	DESCRIPTION
B	LEN1720010	2017-02-06	Frank Deng	Change Cable length Tolerance
C	CI80009	2018-08-10	Fisher Wang	update drawing



Shield	Braid	Shield
8	Blue 藍	8
7	White/Blue 白/藍	7
6	Brown 棕	6
5	White/Brown 白/棕	5
4	Green 綠	4
3	White/Green 白/綠	3
2	Orange 橙	2
1	White/Orange 白/橙	1
Conn. 1	Wire Color	Conn. 2

Pin Out

MSXS08ML-SXSML-SGXXX

XXX : 0.2~40Meters
 005 : 0.5Meter
 010 : 01Meters
 :
 :
 :
 400 : 40Meters
 Cable Length(L):0.2~40Meters

- Note:
- * \varnothing Important Dimensions To Check.
 - * Waterproof Rate: IP67
 - * Connector: Nylon+GF, Black
 - * Male Pin: Copper Alloy, Gold Plated
 - * Screw Nut: Zinc Alloy, Nickel Plated
 - * Shield: Copper Alloy
 - * Outer Mold: PU, Black
 - * Cable: Cat6A, 26AWG*4P+B, LSZH, UV resistant
OD 6.6mm, Green Jacket.
 - * Rated Voltage: 50 V AC, 60 V DC
 - * Rated Current: 0.5A
 - * Cable length Tolerance: 0.2M~0.5M±20mm
0.6M~01M±40mm
02M~05M±60mm
06M~10M±100mm
11M~30M±200mm
31M~40M±500mm

UNIT:mm

TOLERANCE	
.X	±0.25
.XX	±0.1
.XXX	±0.05
ANGLES	±1°

TITLE M12 X-code Double Ended			
SCALE 1:1	SIZE A4	SHEET 1 OF 1	
REV. C	WC-REV. A.3	\varnothing : Inspection item	

Amphenol LTW
安費諾亮泰企業股份有限公司

ITEM NO	DRAWN BY Fisher Wang	DATE 2018-08-10
DWG NO MSXS08ML-SXSML-SGXXX	CHECKED BY Victor Hung	DATE 2018-08-10
CUSTOMER ALTW	APPROVED BY Kevin Hu	DATE 2018-08-10