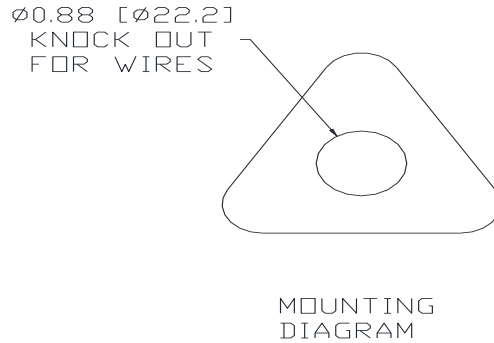
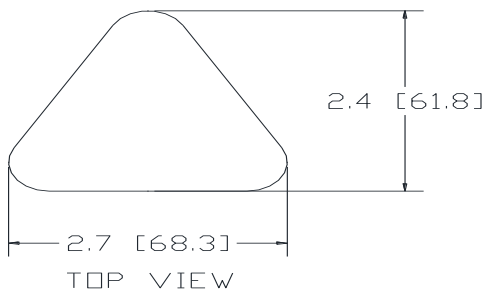
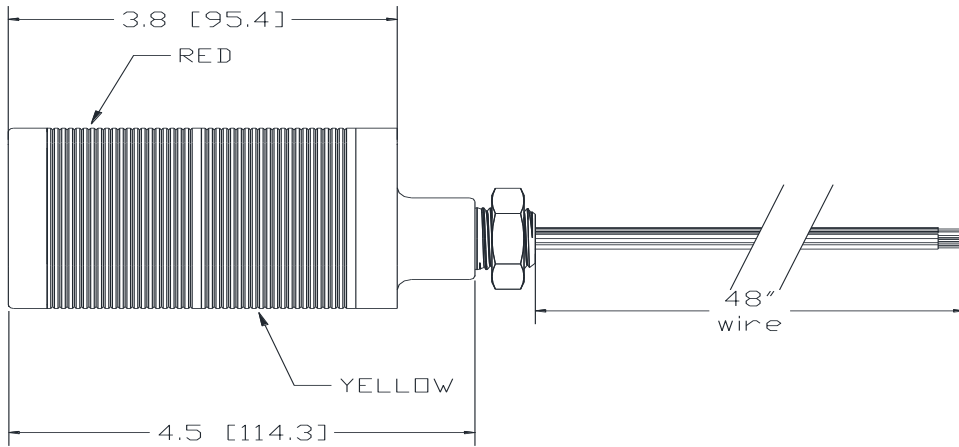


Specifications:

Stack Number:	1	2		
LED Color:	RED	YELLOW		
Connection Wires:	Red and Brown	Yellow and Brown		
LED Current Draw:	<210 mA	<230 mA		
Rated Voltage:	120 VAC			
Operating Voltage:	90-120 VAC			
Total Max Current:	<440mA			
Operating Temperature:	-25° ~ +60°C			
Lens Color:	Opaque White			
Material:	ABS FR15U			
Mounting Method:	Direct Mount using 1/2" NPT Stainless Steel Pipe and Nut			
Weight Typical (g):	215			
NEMA 12:	Approved			
Options:	Please contact factory.			

Dimensions: Inches (mm) **cUL Recognized** **ROHS Compliant**

PATENT NUMBER 10309594



LED OPERATION: CONNECT STACK COLOR WIRE TO POWER AND BROWN WIRE TO POWER.