

# Type BLC-108-G

## Fuse Block

### 8 Pole – Regular Auto Blade Type

### With 12 Position Grounding Block



www.optifuse.com

(619) 593-5050

#### Specifications:

**Max Current Rating:** 25A per Circuit - 150A Max Input

**Max Voltage:** 32VDC

**Fuse Type:** Regular Auto Blade (APR series),

Regular Automotive Circuit Breakers (ACBP4-PL and MRCBP4-PL series)

**Base:** Polycarbonate

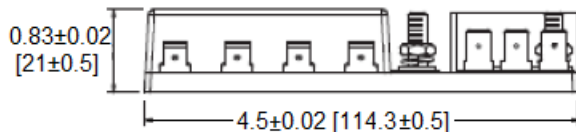
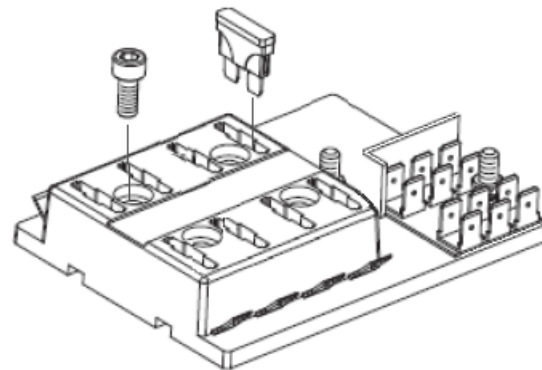
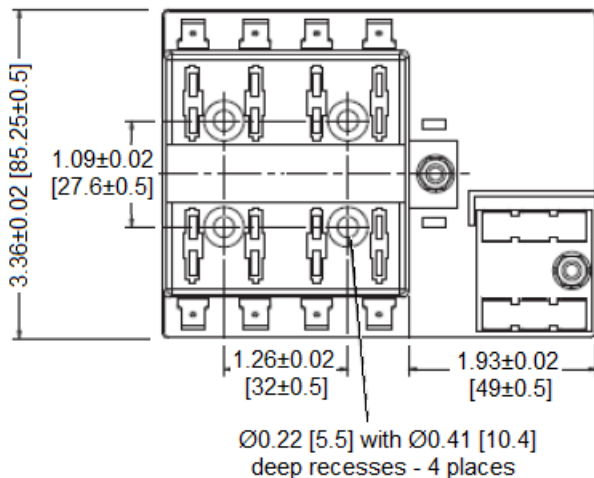
**Load-side Connection:** 0.250" Quick Connect Terminals - Copper, Tin plated

**Line-side Connection:** #10-32 stud terminal with hex nut, flat washer, lockwasher (hardware provided)

**Mounting:** 5.5mm diameter mounting holes for #10 screws (not provided)

**Optional Cover available**

#### Mechanical Dimensions: Inches [mm]



#### Warning:



-Operation beyond the specified maximum ratings or improper use may result in damage and possible electrical arcing and/or flame.

-Avoid contact of device with chemical solvent. Prolonged contact may damage the device performance.