

REVISIONS					
REV	ECO	DESCRIPTION	DATE	BY	APPR
A1	-	RELEASE NEW DRAWING	01MAR22	VITO	TOMMY

NOTES: UNLESS OTHERWISE SPECIFIED

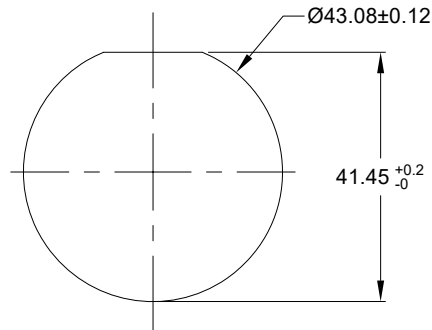
- MATERIAL:  
HOUSING: THERMOPLASTIC; BLACK  
SEAL: SILICONE RUBBER
- MODIFICATIONS: BACKSHELL RING ADAPTER (BRA);  
REDUCED DIA. WIRE SEAL.
- SPECIFICATIONS:  
3.1 OPERATING TEMPERATURE: -55°C TO +125°C.  
3.2 DIELECTRIC WITHSTANDING VOLTAGE: LESS THAN 2  
MILLIAMPS CURRENT LEAKAGE @ 1500 VOLTS AC.  
3.3 INSULATION RESISTANCE: 1000 MEGOHM MIN @ 25°C.  
3.4 MOISTURE RESISTANCE:  
IP68 (IM OF WATER FOR A PERIOD OF 24 HOURS, MATED  
CONDITION);  
IP69K (MATED CONDITION)  
3.5 MATING CYCLE DURABILITY: 100 CYCLES  
3.6 RoHS COMPLIANT

- MATING PART: AHDPO6-24-18P\* (\* = SEAL TYPE)
- ALL DIMENSIONS ARE FOR REFERENCE USE ONLY.

CONTACT SIZE AND WIRE RANGE:

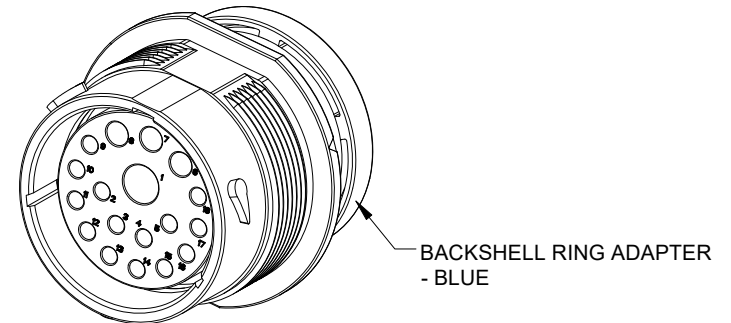
CONTACT SIZE	MIN. INSUL O.D.	MAX. INSUL O.D.	TYPICAL WIRE RANGE	CURRENT RATING
8	3.43 mm (.135in)	5.59 mm (.220 in)	8-10 AWG (10.0-5.0mm <sup>2</sup> )	60 AMPS
12	2.46 mm (.097in)	4.01 mm (.158 in)	10-14 AWG (6.0-2.0mm <sup>2</sup> )	25 AMPS
16	1.35 mm (.053 in)	3.05 mm (.120 in)	14-20 AWG (2.0-0.5mm <sup>2</sup> )	13 AMPS

7. RECEPTACLE IS SUPPLIED WITH DUST CAP.



RECOMMENDED PANEL MOUNTING HOLE

RECOMMENDED PANEL THICKNESS: 1.6 TO 4.7MM



QUANTITY	AHDPO4-24-18SR-BRA	REF:HDP24-24-18SE-L017	ITEM
	PART NUMBER	DESCRIPTION	
<b>MATERIALS LIST</b>			
<b>UNLESS OTHERWISE SPECIFIED</b> 1) All dimensions are in metric (mm). 2) Tolerances are as follows: 1 PL DEC ±0.30 Fractions ±1/64 2 PL DEC ±0.15 Angles ±1° 3) Note reference =		<b>SIGNATURES DATE</b> DRAWN: VITOLI 01MAR22 CHECKED: SULLENZHANG 02MAR22 ENGINEER: APPROVAL: TOMMY XIE 03MAR22	
<b>MATERIAL SPECIFICATIONS:</b> WEIGHT: 56.5g		<b>Amphenol</b> Sine Systems - www.amphenol-sine.com 44724 Morley Drive Clinton Township, MI 48036	
<b>PROCESS SPECIFICATIONS:</b>		THIS DRAWING IS SUPPLIED FOR INFORMATION ONLY. DESIGN FEATURES, SPECIFICATIONS AND PERFORMANCE DATA SHOWN HEREON ARE THE PROPERTY OF THE AMPHENOL CORPORATION. NO RIGHTS OF REPRODUCTION ARE IMPLIED. ALL DIMENSIONS ARE SUBJECT TO NORMAL MANUFACTURING VARIATIONS.	
<b>NEXT ASSY:</b>		18POS, RECEPTACLE, SOCKET, SIZE 24, RD SEAL, BRA, DURAMATE AHDPO	
<b>SCALE:</b> NONE		<b>SIZE</b> B <b>TYPE</b> C- <b>DWG NO:</b> AHDPO4-24-18SR-BRA <b>REVISION</b> A1	
<b>DURAMATE</b>		<b>SHEET</b> 1 <b>OF</b> 1	

TITLE: 18POS RECEPTACLE SOCKET, SIZE 24, RD SEAL, BRA, DURAMATE AHDPO  
 DWG NO: AHDPO4-24-18SR-BRA  
 REV: A1  
 SH: 1  
 OF: 1