

NOTES:

1. MATERIALS AND FINISHES:
 BODY & COUPLING NUT - STAINLESS STEEL, GOLD PLATING
 CONTACT - BeCu, GOLD PLATING
 INSULATOR - PTFE, NATURAL
 GASKET - SILICONERUBBER, RED
 RETAINING RING - BeCu, NATURAL
2. ELECTRICAL:
 A. IMPEDANCE: 50 OHM
 B. FREQUENCY RANGE: DC-18 GHz
3. MECHANICAL:
 A. DURABILITY: 500 CYCLES MIN.
 B. TEMPERATURE RANGE: -65° C TO +165° C

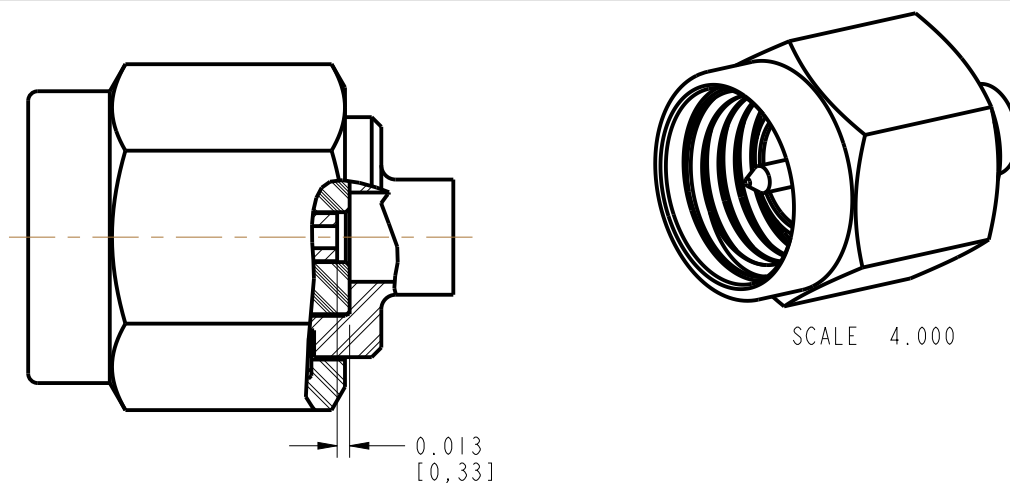
4. PACKAGING:
 A. QUANTITY: SINGLE PACK
 B. MARKING: BAG TO BE MARKED
 "AMPHENOL RF, 901-9201-2A, AND DATE CODE"
5. CABLE ASSEMBLY INSTRUCTIONS:
 A. FOR CABLE ASSEMBLY INSTRUCTIONS SEE SHEET 9 OF
 AMPHENOL SPEC. 349-50180.
 B. SOLDER BODY & CONTACT TO CABLE.

6 SHOWS CABLE ENTRY DIMENSIONS.

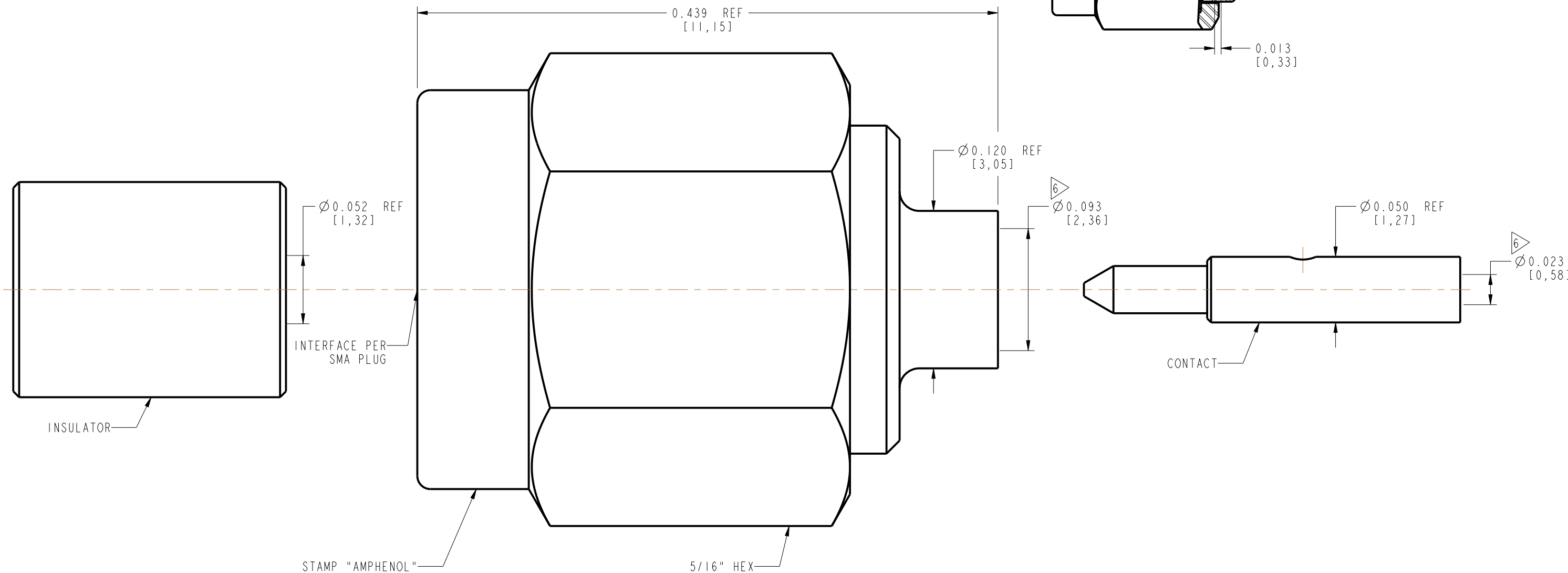
THIRD ANGLE PROJ.

REVISIONS

REV	DESCRIPTION	DATE	ECO	APPR
--	RELEASE TO MFG.	--	--	--
J	COD SHEET ADDED	02-May-17	03642	KCE



SCALE 4.000



CUSTOMER OUTLINE DRAWING

ALL OTHER SHEETS ARE FOR INTERNAL USE ONLY

UNLESS OTHERWISE SPECIFIED, DIMENSIONS ARE IN INCHES AND TOLERANCES ARE: 2 PLACE DECIMAL 3 PLACE DECIMAL ANGLES ±.015 (0,381 mm) ±.005 (0,127 mm) ± 1°	MATERIAL	DRAWN	DATE	TITLE SMA STR PLUG FOR 0.085" CUJACK CABLE SOLDER TYPE		Amphenol RF www.amphenolrf.com	
	SEE NOTES	A ARUN PRABU	21-Apr-17				
NOTICE - These drawings, specifications, or other data (1) are, and remain the property of Amphenol corp. (2) must be returned upon request; and (3) are confidential and not to be disclosed to any person other than those to whom they are given by Amphenol Corp. the furnishing of these drawings, specifications, or other data by Amphenol Corp., or to any other person to anyone for any purpose is not to be regarded by implication or otherwise in any manner licensing, granting rights to permitting such holder or any other person to manufacture, use or sell any product, process or design, patented or otherwise, that may in any way be related to or disclosed by said drawings, specifications, or other data.	REFERENCE	ENGINEER	DATE	SCALE: 13.0:1.0 SHEET 2 OF 2		DRAWING NO.901-9201-2A ITEM NO.901-9201-2A	
	GEN# ASSYM36_SMA AND DOR 312741	O.BARTHELMES	10-May-02				
	CONFIGURATION LEVEL: In Work	APPROVED	DATE		DWG SIZE B		REV J
FINISH	K. CAPOZZI	02-May-17	CAD FILE	PART NO.901-9201-2A			