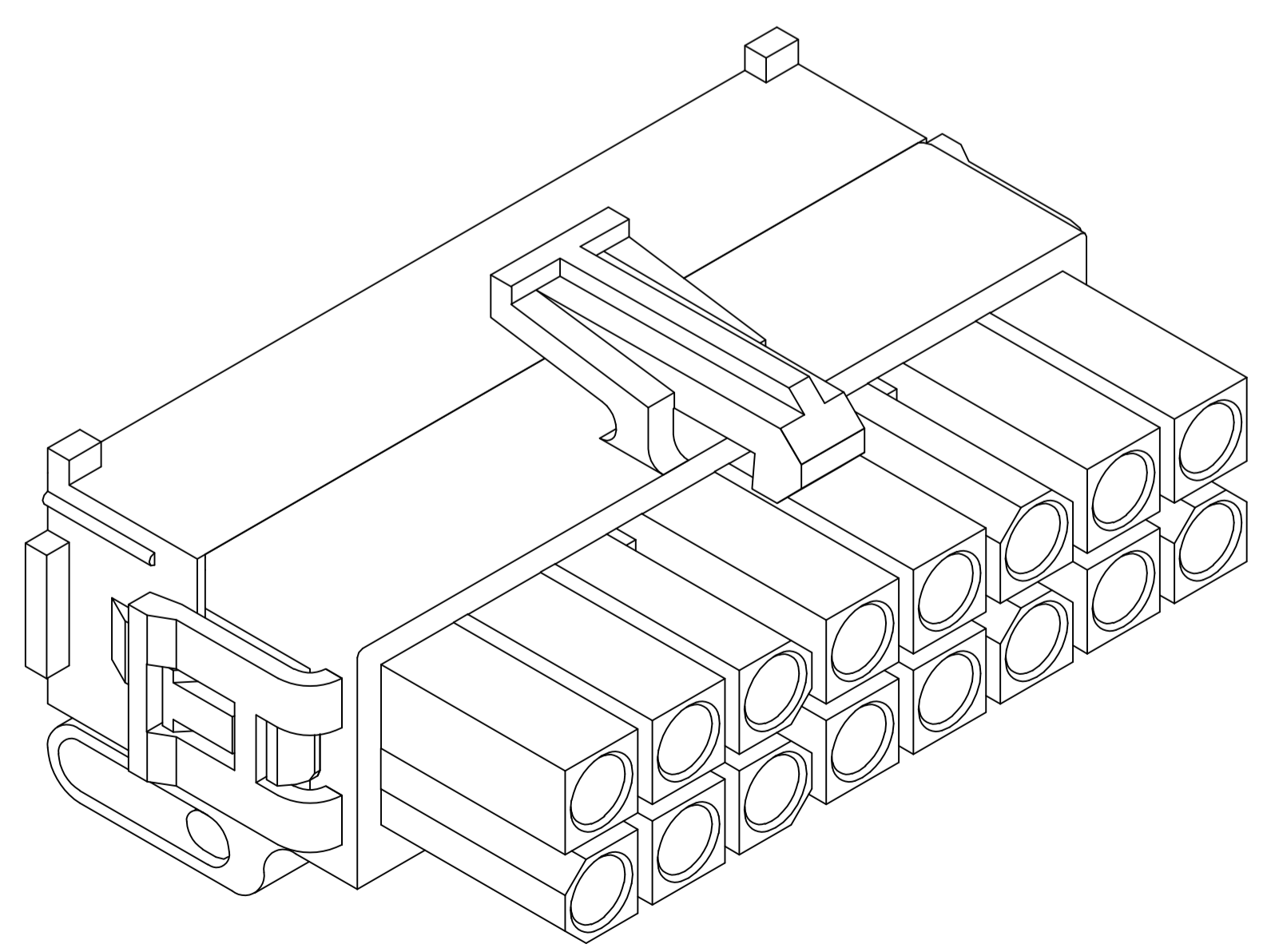
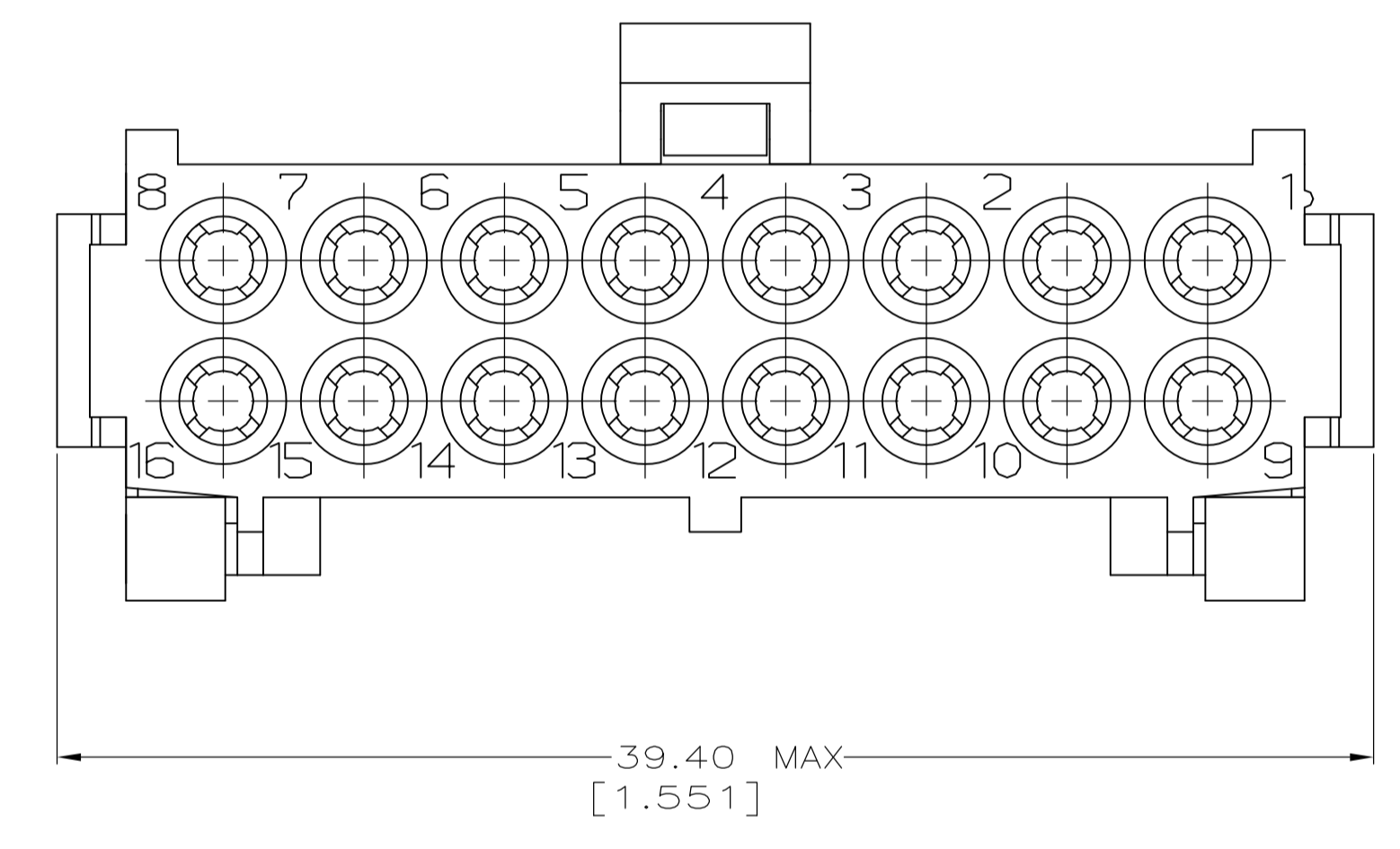
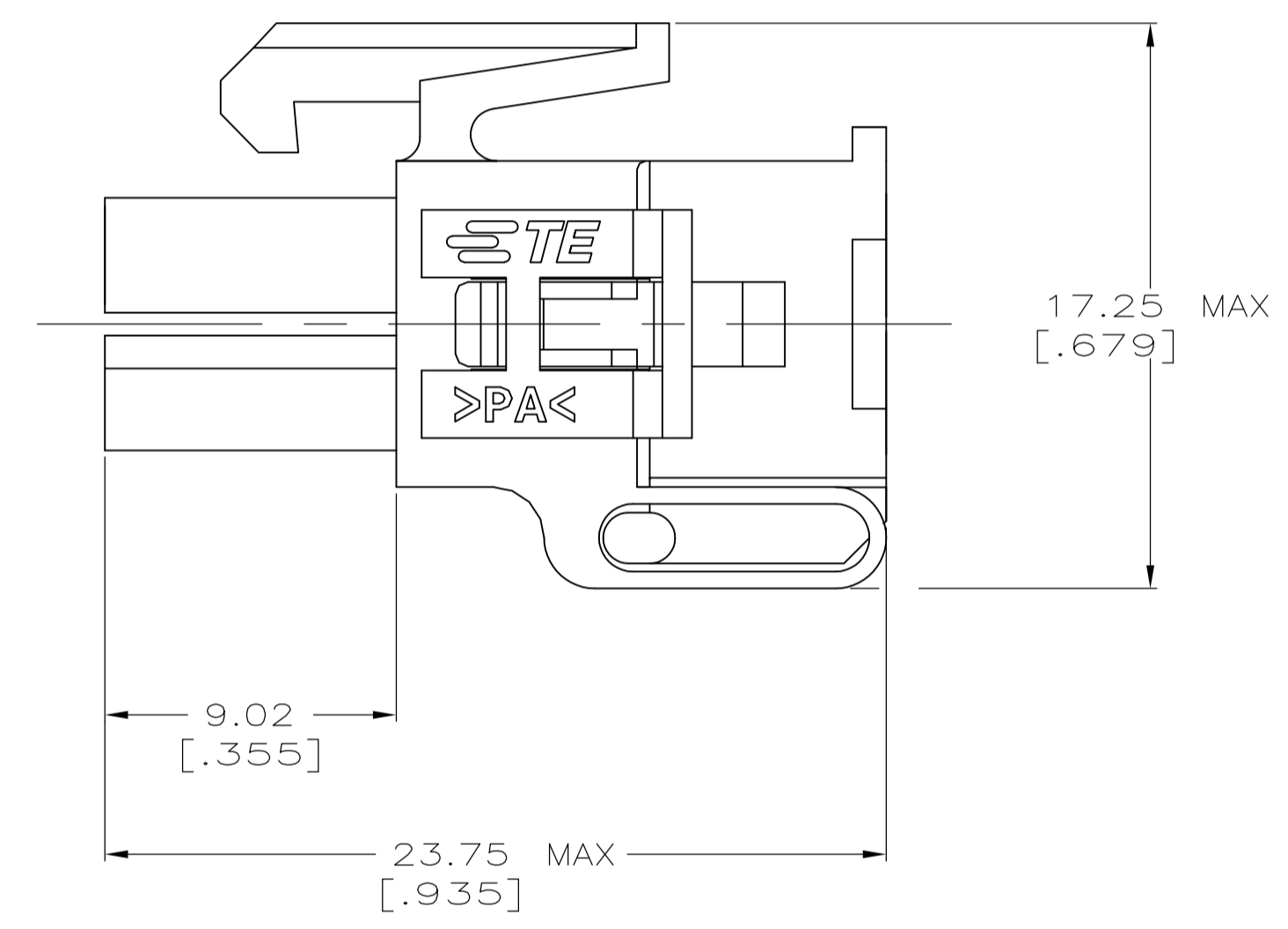
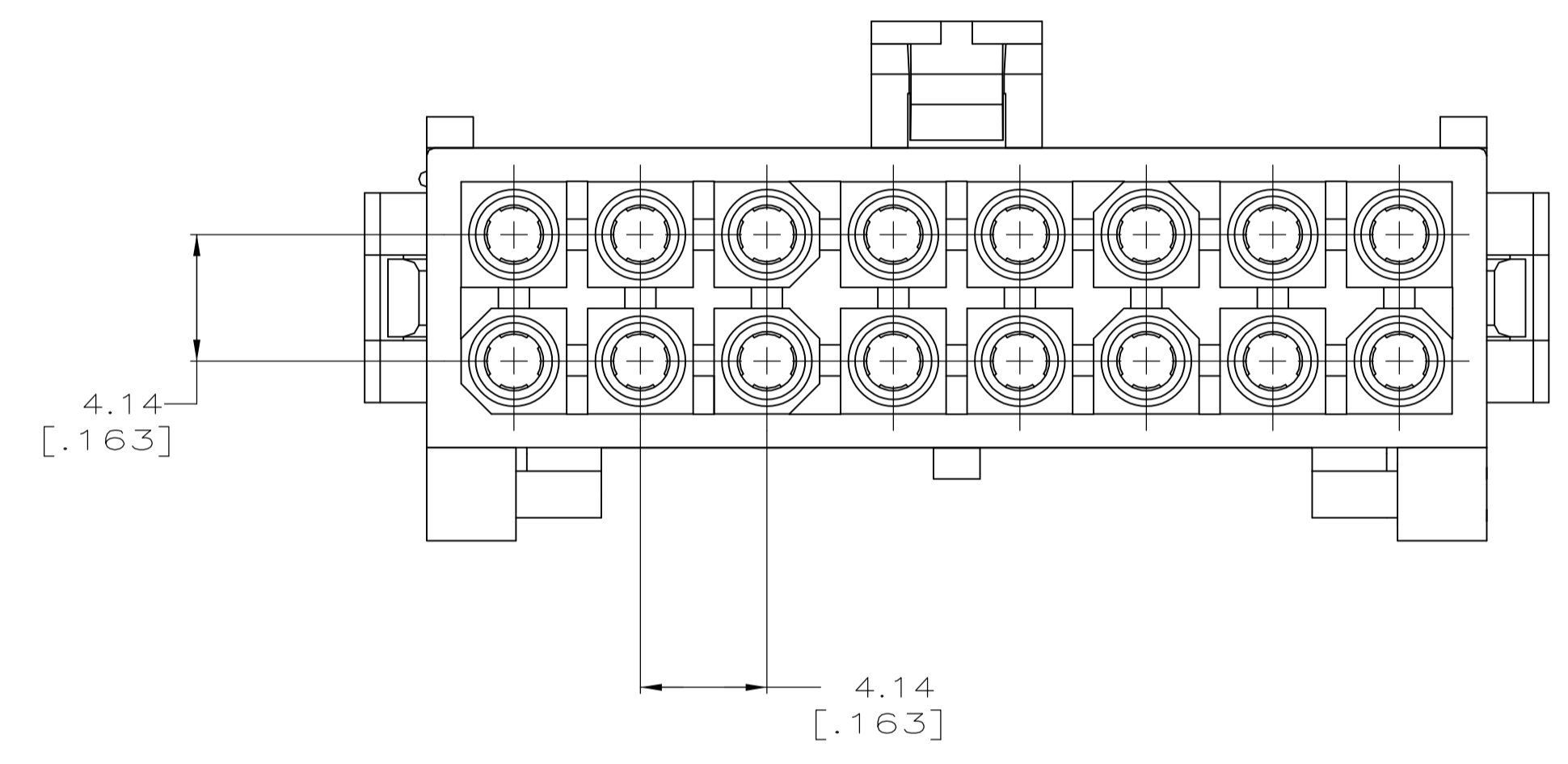
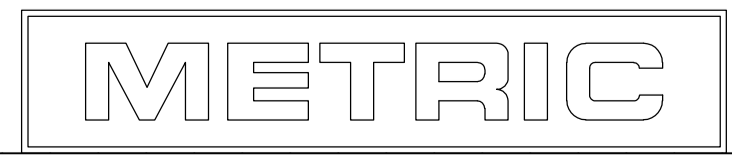


PRE-STAGED CONDITION

1 DIMENSIONS IN BRACKETS ARE IN INCHES.



3-DIMENSIONAL MODEL  
NTS



794206-1  
PART NUMBER

THIS DRAWING IS A CONTROLLED DOCUMENT.		DIN K. WHITAKER 5-19-97	TE Connectivity
		CHK R. SWING 5-19-97	
		APP'D R. ORSTAD 5-19-97	NAME PLUG, 16 CIRCUIT, MINI UNIVERSAL MATE-N-LOK™ 2
DIMENSIONS: mm		TOLERANCES UNLESS OTHERWISE SPECIFIED:	PRODUCT SPEC
		0. PLC ± -	APPLICATION SPEC
		1. PLC ± -	SIZE A1
		2. PLC ± -	WEIGHT -
		3. PLC ± 0.13 [.005]	SCALE 5:1
		4. PLC ± -	SHEET 1 OF 1
		ANGLES ± -	REV C2
MATERIAL NYLON, UL94V-0, NATURAL		FINISH -	CAGE CODE A100779
			DRAWING NO. 794206
			CUSTOMER DRAWING