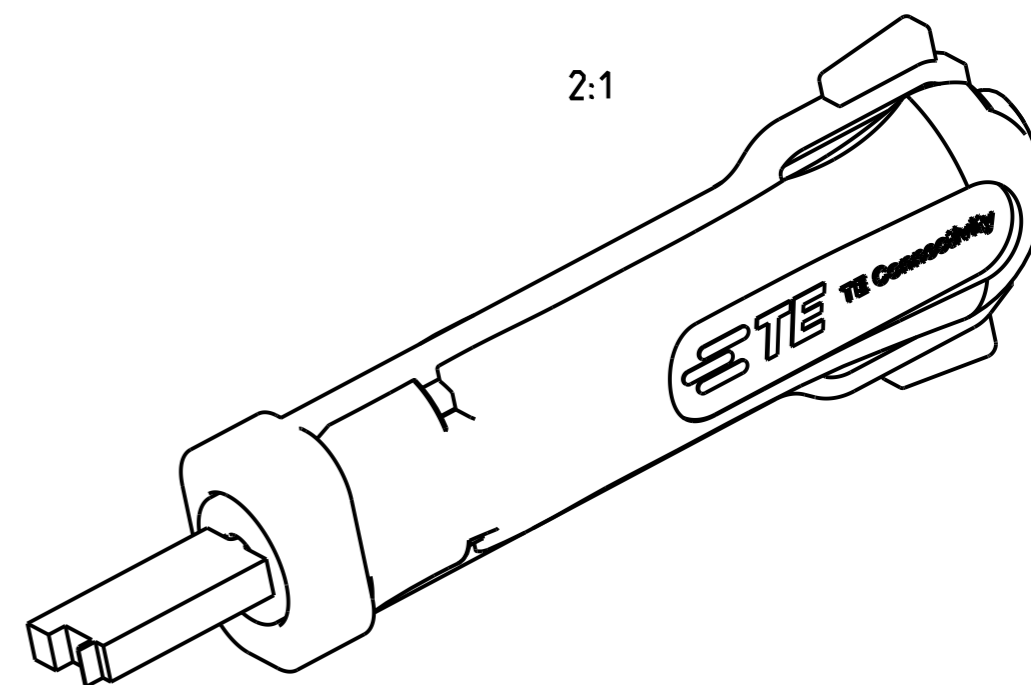
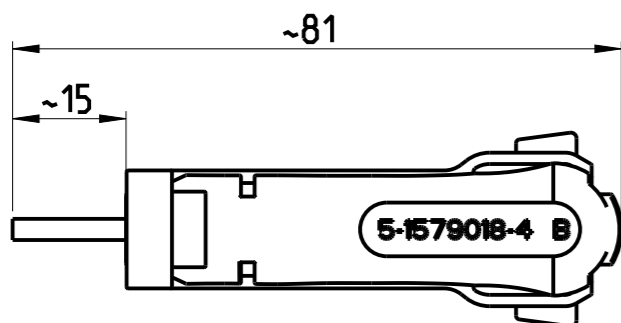
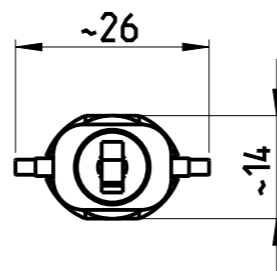
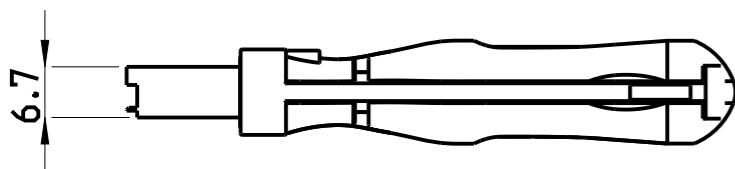
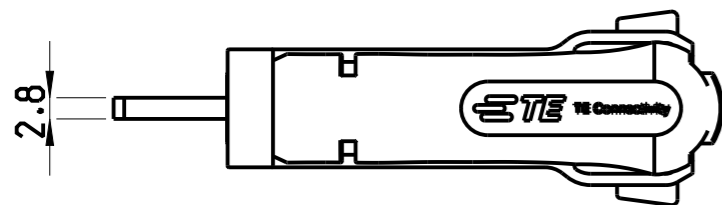


© 2021 TE Connectivity. All Rights Reserved.

REVISIONS

P	LTR	DESCRIPTION	DATE	DWN	APVD
B		INITIAL REVISION	06JUL2009	LS	SA
B1		ECR-20-017979	02FEB2021	PNT	GS



APPLICATION RANGE / Anwendungsbereich:

FOR MPQ-CONTACT : 968679-2,968136-2,
968137-2
FOR TAB HOUSING :1379913

THIS DRAWING IS A CONTROLLED DOCUMENT.

DIMENSIONS:	TOLERANCES UNLESS OTHERWISE SPECIFIED:
mm	
	0 PLC ±
	1 PLC ±
	2 PLC ±
	3 PLC ±
	4 PLC ±
	ANGLES ±
MATERIAL	FINISH -

DWN	L. Sandhu	06JUL2009
CHK	S. Samstag	22OCT2009
APVD	S. Samstag	22OCT2009
PRODUCT SPEC	-	
APPLICATION SPEC	-	
WEIGHT	0.013 kg	
CUSTOMER DRAWING		

		TE Connectivity	
NAME EXTRACTION TOOL Entriegelungswerkzeug			
SIZE	CAGE CODE	DRAWING NO	RESTRICTED TO
A3	00779	C-5-1579018-4	
SCALE 1:1		SHEET 1 OF 1	REV B1