

**1 Products affected**

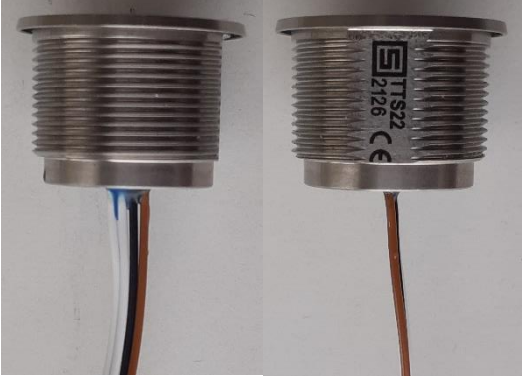
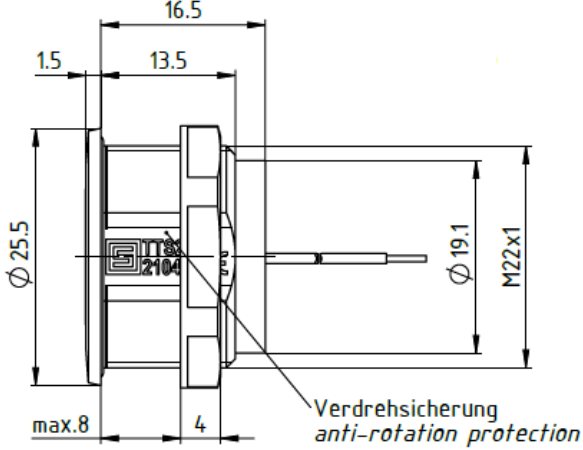
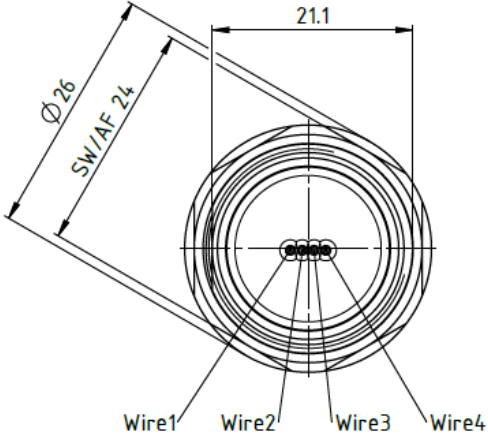
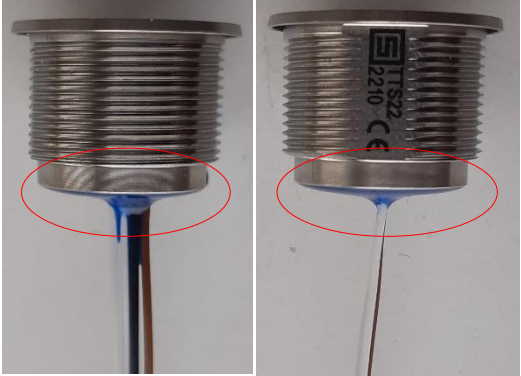
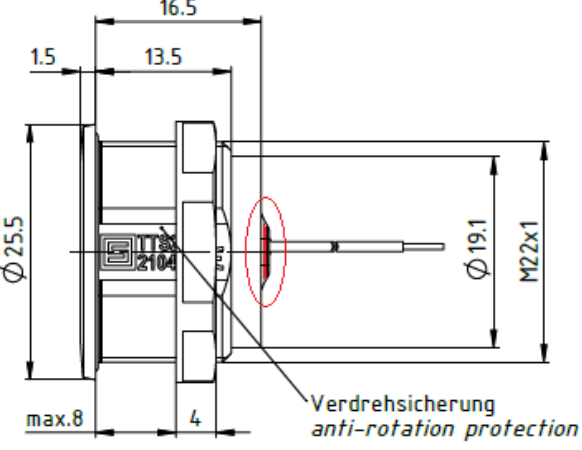
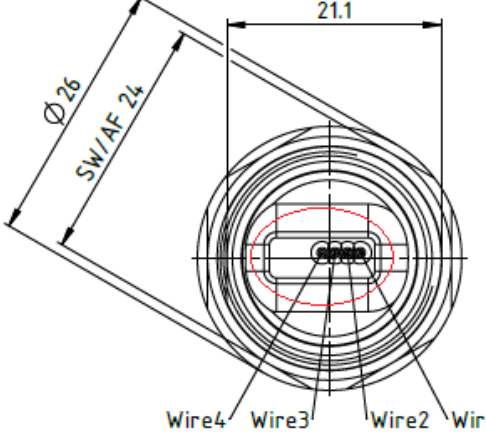
Product hierarchy no. *				Part no.	SBU	Product Type	Customer part no.
SBU	PG	PUG	Type				
03	070	029	0000003459	3-131-894	Switches	TTS	
03	070	029	0000003459	3-131-913	Switches	TTS	

\*SBU (2-digit) / PG (3-digit) / PUG (3-digit) / Type (10-digit)

**2 Type of change**

- Change of product design

**3 Detailed description of change**

Current product appearance	New product appearance
  	  

- Change of internal connector

Product Change Notification					PCN TTS Connector		
owner	creation date	release date	released by	change order no	rev	page	D10-063-881
rescalfa	29.04.2022	02.05.2022	riedlan	2023971	B	1 of 2	

**4 Reason of change**

- Change due to the implementation of a multicolour (RGB) variant.

**5 Release date**

Expected date of change ww 27/2022 (Date code 2227 or higher on label).  
Parts on stock will be used upon depletion.

**6 Impact of change and recommended action**

- Form                      Check for any effects on the mounting situation
- Fit                              Check for any effects on the mounting situation
- Function
- Manufacturing
- Label
- Packaging

**7 Reference Documents**

Kind of document	Document Title
Data Sheet	<a href="#">typ_TTS.pdf</a>

Product Change Notification					PCN TTS Connector		
owner	creation date	release date	released by	change order no	rev	page	D10-063-881
rescalfa	29.04.2022	02.05.2022	riedlan	2023971	B	2 of 2	