

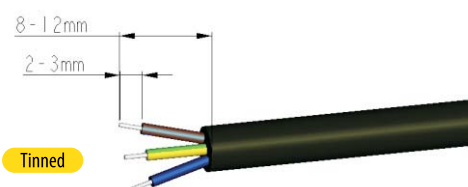
Standard Series

1. Standard Series, Assembly Instruction..... P40
2. Standard Series, Panel Mount & Male PinP41 - P43
3. Standard Series, Male Connector & Female PinP44 - P46
4. Standard Series, Panel Mount & Female PinP47 - P49
5. Standard Series, Male Connector & Male Pin.....P50 - P52
6. Standard Series, Female Connector & Male PinP53 - P54
7. Standard Series, Female Connector & Female PinP55 - P56



CHOGORI

1 Strip and prepare Cable.



2 Thread Seals Nut, Seals Ring, Clamp Ring and Gasket onto the cable.



3 Solder wire



4 Assemble Gasket into Clamp ring: Gasket Direction (Flat Surface to Housing)



5 Assemble Clamp Ring to Housing



6 Put Seals Ring to the end of Clamp Ring.



7 Assemble Seals Nut and Clamp Ring.






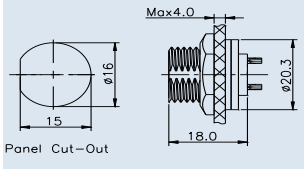
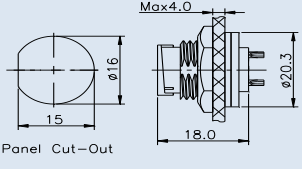
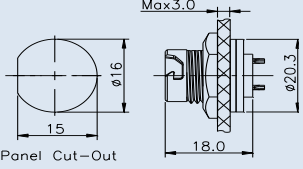
STANDARD SERIES

CHOGORI

Standard Series Specifications

Standard Series, Panel Mount & Male Pin

| Description | Panel Front Mount, Screw Type, Solder | Panel Front Mount, Lock Bayonet Type, Solder | Panel Front Mount, Push Lock Type, Solder |
|-------------|---|---|---|
| Figure |  |  |  |

| Drawing |  |  |  |
|---------|---|--|---|
|---------|---|--|---|

| Part Number | Contacts | Part Number | Contacts | Part Number | Contacts | Part Number |
|-------------|----------|-------------|-------------|-------------|-------------|-------------|
| | | 2 | 22002515-01 | 2 | 22002525-01 | 2 |
| | 3 | 22003515-01 | 3 | 22003525-01 | 3 | 22003535-01 |
| | 4 | 22004515-01 | 4 | 22004525-01 | 4 | 22004535-01 |
| | 5 | 22005515-01 | 5 | 22005525-01 | 5 | 22005535-01 |
| | 6 | 22006515-01 | 6 | 22006525-01 | 6 | 22006535-01 |
| | 2+4 | 22204515-01 | 2+4 | 22204525-01 | 2+4 | 22204535-01 |
| | 3+4 | 22304515-01 | 3+4 | 22304525-01 | 3+4 | 22304535-01 |
| | 8 | 22008515-01 | 8 | 22008525-01 | 8 | 22008535-01 |
| | 10 | 22010515-01 | 10 | 22010525-01 | 10 | 22010535-01 |
| | 12 | 22012515-01 | 12 | 22012525-01 | 12 | 22012535-01 |




| Specifications | | | | | | | | | | | |
|--------------------------|------------------------------|------|------|------------------------------|-----|------------|---|-----|------------------------------|-----|-----------------------------|
| Number of Contacts | 2 | 3 | 4 | 5 | 6 | 2+4 | 3+4 | 8 | 10 | 12 | |
| Wire Gauge | 0.823mm ² (18AWG) | | | 0.519mm ² (20AWG) | | | 0.823mm ² (18AWG)*2C/3C 0.519mm ² (20AWG)*4C | | 0.519mm ² (20AWG) | | 0.34mm ² (22AWG) |
| Panel Thickness | Max. 4.0mm | | | | | Max. 4.0mm | | | Max. 3.0mm | | |
| Environmental Protection | IP68 | | | | | IP67 | | | IP67 | | |
| Mechanical Life | 500 mating cycles | | | | | | | | | | |
| Operating Temperature | - 45°C - 105°C | | | | | | | | | | |
| Voltage Rating | 300V | 300V | 125V | 60V | 60V | 60V | 60V | 60V | 30V | 30V | |
| Rated Current (40°C) | 10A | 10A | 10A | 5A | 5A | 10A+5A | 10A+2A | 5A | 2A | 2A | |

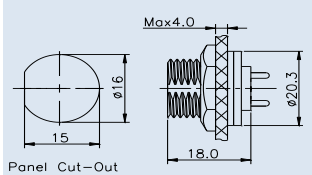
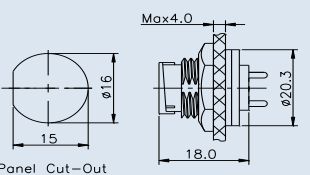
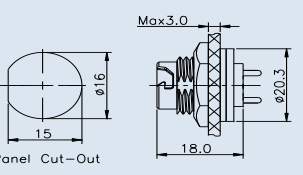
STANDARD SERIES

CHOGORI

Standard Series Specifications

Standard Series, Panel Mount & Male Pin

| | | | |
|-------------|---|---|---|
| Description | Panel Front Mount, Screw Type, PCB | Panel Front Mount, Lock Bayonet Type, PCB | Panel Front Mount, Push Lock Type, PCB |
| Figure |  |  |  |

| | | | |
|---------|---|--|---|
| Drawing |  |  |  |
|---------|---|--|---|

| Part Number | Contacts | Part Number | Contacts | Part Number | Contacts | Part Number |
|-------------|----------|-------------|-------------|-------------|-------------|-------------|
| | | 2 | 22002515-02 | 2 | 22002525-02 | 2 |
| | 3 | 22003515-02 | 3 | 22003525-02 | 3 | 22003535-02 |
| | 4 | 22004515-02 | 4 | 22004525-02 | 4 | 22004535-02 |
| | 5 | 22005515-02 | 5 | 22005525-02 | 5 | 22005535-02 |
| | 6 | 22006515-02 | 6 | 22006525-02 | 6 | 22006535-02 |
| | 2+4 | 22204515-02 | 2+4 | 22204525-02 | 2+4 | 22204535-02 |
| | 3+4 | 22304515-02 | 3+4 | 22304525-02 | 3+4 | 22304535-02 |
| | 8 | 22008515-02 | 8 | 22008525-02 | 8 | 22008535-02 |
| | 10 | 22010515-02 | 10 | 22010525-02 | 10 | 22010535-02 |
| | 12 | 22012515-02 | 12 | 22012525-02 | 12 | 22012535-02 |

Specifications

| Number of Contacts | 2 | 3 | 4 | 5 | 6 | 2+4 | 3+4 | 8 | 10 | 12 |
|--------------------------|------------------------------|------|------|------------------------------|-----|---|--------|------------------------------|-----------------------------|-----|
| Wire Gauge | 0.823mm ² (18AWG) | | | 0.519mm ² (20AWG) | | 0.823mm ² (18AWG)*2C/3C 0.519mm ² (20AWG)*4C | | 0.519mm ² (20AWG) | 0.34mm ² (22AWG) | |
| Panel Thickness | Max. 4.0mm | | | | | Max. 4.0mm | | | Max. 3.0mm | |
| Environmental Protection | IP68 | | | | | IP67 | | | IP67 | |
| Mechanical Life | 500 mating cycles | | | | | | | | | |
| Operating Temperature | - 45°C - 105°C | | | | | | | | | |
| Voltage Rating | 300V | 300V | 125V | 60V | 60V | 60V | 60V | 60V | 30V | 30V |
| Rated Current (40°C) | 10A | 10A | 10A | 5A | 5A | 10A+5A | 10A+2A | 5A | 2A | 2A |

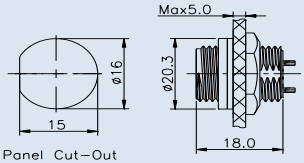
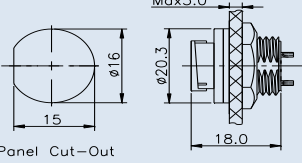
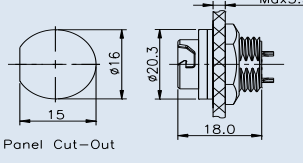
STANDARD SERIES

CHOGORI

Standard Series Specifications

Standard Series, Panel Mount & Male Pin

| | | | |
|-------------|---|---|---|
| Description | Panel Rear Mount, Screw Type, Solder | Panel Rear Mount, Lock Bayonet Type, Solder | Panel Rear Mount, Push Lock Type, Solder |
| Figure |  |  |  |

| | | | |
|---------|---|--|---|
| Drawing |  |  |  |
|---------|---|--|---|

| Part Number | Contacts | Part Number | Contacts | Part Number | Contacts | Part Number |
|-------------|----------|-------------|----------|-------------|----------|-------------|
| | 2 | 22002515-03 | 2 | 22002525-03 | 2 | 22002535-03 |
| | 3 | 22003515-03 | 3 | 22003525-03 | 3 | 22003535-03 |
| | 4 | 22004515-03 | 4 | 22004525-03 | 4 | 22004535-03 |
| | 5 | 22005515-03 | 5 | 22005525-03 | 5 | 22005535-03 |
| | 6 | 22006515-03 | 6 | 22006525-03 | 6 | 22006535-03 |
| | 2+4 | 22204515-03 | 2+4 | 22204525-03 | 2+4 | 22204535-03 |
| | 3+4 | 22304515-03 | 3+4 | 22304525-03 | 3+4 | 22304535-03 |
| | 8 | 22008515-03 | 8 | 22008525-03 | 8 | 22008535-03 |
| | 10 | 22010515-03 | 10 | 22010525-03 | 10 | 22010535-03 |
| | 12 | 22012515-03 | 12 | 22012525-03 | 12 | 22012535-03 |

Specifications

| | | | | | | | | | | |
|--------------------------|------------------------------|------|------|------------------------------|------------|---|--------|------------------------------|-----------------------------|-----|
| Number of Contacts | 2 | 3 | 4 | 5 | 6 | 2+4 | 3+4 | 8 | 10 | 12 |
| Wire Gauge | 0.823mm ² (18AWG) | | | 0.519mm ² (20AWG) | | 0.823mm ² (18AWG)*2C/3C 0.519mm ² (20AWG)*4C | | 0.519mm ² (20AWG) | 0.34mm ² (22AWG) | |
| Panel Thickness | Max. 5.0mm | | | | Max. 5.0mm | | | Max. 5.5mm | | |
| Environmental Protection | IP68 | | | | IP67 | | | IP67 | | |
| Mechanical Life | 500 mating cycles | | | | | | | | | |
| Operating Temperature | - 45°C - 105°C | | | | | | | | | |
| Voltage Rating | 300V | 300V | 125V | 60V | 60V | 60V | 60V | 60V | 30V | 30V |
| Rated Current (40°C) | 10A | 10A | 10A | 5A | 5A | 10A+5A | 10A+2A | 5A | 2A | 2A |

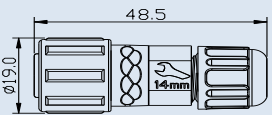
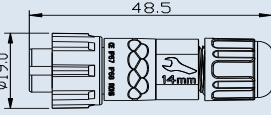
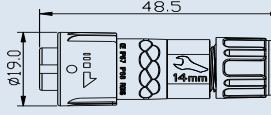
STANDARD SERIES

CHOGORI

Standard Series Specifications

Standard Series, Male Connector & Female Pin

| | | | |
|-------------|---|---|---|
| Description | Field Installable, 180° Screw Type, Solder | Field Installable, 180° Lock Bayonet Type, Solder | Field Installable, 180° Push Lock Type, Solder |
| Figure |  |  |  |

| | | | |
|---------|---|--|---|
| Drawing |  |  |  |
|---------|---|--|---|

| Part Number | Screw Type | | | Lock Bayonet Type | | | Push Lock Type | | |
|-------------|------------|-----------------|-------------|-------------------|-----------------|-------------|----------------|-----------------|-------------|
| | Contacts | Cable Range(mm) | Part Number | Contacts | Cable Range(mm) | Part Number | Contacts | Cable Range(mm) | Part Number |
| | 2 | 3.5 - 6.8 | 22002211-01 | 2 | 3.5 - 6.8 | 22002221-01 | 2 | 3.5 - 6.8 | 22002231-01 |
| | 3 | 3.5 - 6.8 | 22003211-01 | 3 | 3.5 - 6.8 | 22003221-01 | 3 | 3.5 - 6.8 | 22003231-01 |
| | 4 | 3.5 - 6.8 | 22004211-01 | 4 | 3.5 - 6.8 | 22004221-01 | 4 | 3.5 - 6.8 | 22004231-01 |
| | 5 | 3.5 - 6.8 | 22005211-01 | 5 | 3.5 - 6.8 | 22005221-01 | 5 | 3.5 - 6.8 | 22005231-01 |
| | 6 | 3.5 - 6.8 | 22006211-01 | 6 | 3.5 - 6.8 | 22006221-01 | 6 | 3.5 - 6.8 | 22006231-01 |
| | 2+4 | 3.5 - 6.8 | 22204211-01 | 2+4 | 3.5 - 6.8 | 22204221-01 | 2+4 | 3.5 - 6.8 | 22204231-01 |
| | 3+4 | 3.5 - 6.8 | 22304211-01 | 3+4 | 3.5 - 6.8 | 22304221-01 | 3+4 | 3.5 - 6.8 | 22304231-01 |
| | 8 | 3.5 - 6.8 | 22008211-01 | 8 | 3.5 - 6.8 | 22008221-01 | 8 | 3.5 - 6.8 | 22008231-01 |
| | 10 | 3.5 - 6.8 | 22010211-01 | 10 | 3.5 - 6.8 | 22010221-01 | 10 | 3.5 - 6.8 | 22010231-01 |
| | 12 | 3.5 - 6.8 | 22012211-01 | 12 | 3.5 - 6.8 | 22012221-01 | 12 | 3.5 - 6.8 | 22012231-01 |




| Specifications | | | | | | | | | | |
|--------------------------|------------------------------|------|------|------------------------------|-----|---|--------|------------------------------|-----------------------------|-----|
| Number of Contacts | 2 | 3 | 4 | 5 | 6 | 2+4 | 3+4 | 8 | 10 | 12 |
| Wire Gauge | 0.823mm ² (18AWG) | | | 0.519mm ² (20AWG) | | 0.823mm ² (18AWG)*2C/3C 0.519mm ² (20AWG)*4C | | 0.519mm ² (20AWG) | 0.34mm ² (22AWG) | |
| Cable Range | 3.5mm - 6.8 mm | | | | | | | | | |
| Environmental Protection | IP68 | | | | | IP67 | | | IP67 | |
| Mechanical Life | 500 mating cycles | | | | | | | | | |
| Operating Temperature | - 45°C - 105°C | | | | | | | | | |
| Voltage Rating | 300V | 300V | 125V | 60V | 60V | 60V | 60V | 60V | 30V | 30V |
| Rated Current (40°C) | 10A | 10A | 10A | 5A | 5A | 10A+5A | 10A+2A | 5A | 2A | 2A |

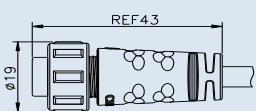
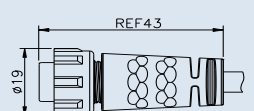
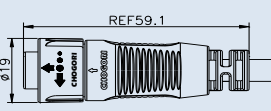
STANDARD SERIES

CHOGORI

Standard Series Specifications

Standard Series, Male Connector & Female Pin

| | | | |
|-------------|---|--|---|
| Description | Molded with Cable, 180° Screw Type, Solder | Molded with Cable, 180° Lock Bayonet Type, Solder | Molded with Cable, 180° Push Lock Type, Solder |
| Figure |  |  |  |

| | | | |
|---------|---|--|---|
| Drawing |  |  |  |
|---------|---|--|---|

| Part Number | Screw Type | | | Lock Bayonet Type | | | Push Lock Type | | |
|-------------|------------|-----------------|-----------------|-------------------|-----------------|-----------------|----------------|-----------------|-----------------|
| | Contacts | Cable Range(mm) | Part Number | Contacts | Cable Range(mm) | Part Number | Contacts | Cable Range(mm) | Part Number |
| | 2 | Max. 9.0 | 22002213-01-XXX | 2 | Max. 9.0 | 22002223-01-XXX | 2 | Max. 9.0 | 22002233-01-XXX |
| | 3 | Max. 9.0 | 22003213-01-XXX | 3 | Max. 9.0 | 22003223-01-XXX | 3 | Max. 9.0 | 22003233-01-XXX |
| | 4 | Max. 9.0 | 22004213-01-XXX | 4 | Max. 9.0 | 22004223-01-XXX | 4 | Max. 9.0 | 22004233-01-XXX |
| | 5 | Max. 9.0 | 22005213-01-XXX | 5 | Max. 9.0 | 22005223-01-XXX | 5 | Max. 9.0 | 22005233-01-XXX |
| | 6 | Max. 9.0 | 22006213-01-XXX | 6 | Max. 9.0 | 22006223-01-XXX | 6 | Max. 9.0 | 22006233-01-XXX |
| | 2+4 | Max. 9.0 | 22204213-01-XXX | 2+4 | Max. 9.0 | 22204223-01-XXX | 2+4 | Max. 9.0 | 22204233-01-XXX |
| | 3+4 | Max. 9.0 | 22304213-01-XXX | 3+4 | Max. 9.0 | 22304223-01-XXX | 3+4 | Max. 9.0 | 22304233-01-XXX |
| | 8 | Max. 9.0 | 22008213-01-XXX | 8 | Max. 9.0 | 22008223-01-XXX | 8 | Max. 9.0 | 22008233-01-XXX |
| | 10 | Max. 9.0 | 22010213-01-XXX | 10 | Max. 9.0 | 22010223-01-XXX | 10 | Max. 9.0 | 22010233-01-XXX |
| | 12 | Max. 9.0 | 22012213-01-XXX | 12 | Max. 9.0 | 22012223-01-XXX | 12 | Max. 9.0 | 22012233-01-XXX |




| Specifications | | | | | | | | | | | |
|--------------------------|------------------------------|------|------|------------------------------|------|---|--------|------------------------------|-----------------------------|-----|--|
| Number of Contacts | 2 | 3 | 4 | 5 | 6 | 2+4 | 3+4 | 8 | 10 | 12 | |
| Wire Gauge | 0.823mm ² (18AWG) | | | 0.519mm ² (20AWG) | | 0.823mm ² (18AWG)*2C/3C 0.519mm ² (20AWG)*4C | | 0.519mm ² (20AWG) | 0.34mm ² (22AWG) | | |
| Cable Range | Max. 9.0 mm | | | | | | | | | | |
| Environmental Protection | IP67 | | | | IP67 | | | | IP67 | | |
| Mechanical Life | 500 mating cycles | | | | | | | | | | |
| Operating Temperature | - 40°C - 80°C | | | | | | | | | | |
| Voltage Rating | 300V | 300V | 125V | 60V | 60V | 60V | 60V | 60V | 30V | 30V | |
| Rated Current (40°C) | 10A | 10A | 10A | 5A | 5A | 10A+5A | 10A+2A | 5A | 2A | 2A | |

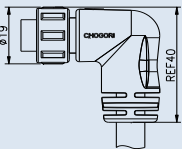
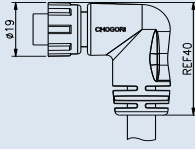
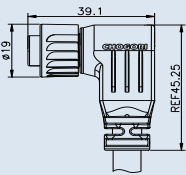
STANDARD SERIES

CHOGORI

Standard Series Specifications

Standard Series, Male Connector & Female Pin

| | | | |
|-------------|---|---|---|
| Description | Molded with Cable, 90° Screw Type, Solder | Molded with Cable, 90° Lock Bayonet Type, Solder | Molded with Cable, 90° Push Lock Type, Solder |
| Figure |  |  |  |

| | | | |
|---------|---|---|---|
| Drawing |  |  |  |
|---------|---|---|---|

| Part Number | Contacts | Cable Range(mm) | Part Number | Contacts | Cable Range(mm) | Part Number | Contacts | Cable Range(mm) | Part Number |
|-------------|----------|-----------------|-----------------|----------|-----------------|-----------------|----------|-----------------|-----------------|
| | 2 | Max. 9.0 | 22002214-01-XXX | 2 | Max. 9.0 | 22002224-01-XXX | 2 | Max. 9.0 | 22002234-01-XXX |
| | 3 | Max. 9.0 | 22003214-01-XXX | 3 | Max. 9.0 | 22003224-01-XXX | 3 | Max. 9.0 | 22003234-01-XXX |
| | 4 | Max. 9.0 | 22004214-01-XXX | 4 | Max. 9.0 | 22004224-01-XXX | 4 | Max. 9.0 | 22004234-01-XXX |
| | 5 | Max. 9.0 | 22005214-01-XXX | 5 | Max. 9.0 | 22005224-01-XXX | 5 | Max. 9.0 | 22005234-01-XXX |
| | 6 | Max. 9.0 | 22006214-01-XXX | 6 | Max. 9.0 | 22006224-01-XXX | 6 | Max. 9.0 | 22006234-01-XXX |
| | 2+4 | Max. 9.0 | 22204214-01-XXX | 2+4 | Max. 9.0 | 22204224-01-XXX | 2+4 | Max. 9.0 | 22204234-01-XXX |
| | 3+4 | Max. 9.0 | 22304214-01-XXX | 3+4 | Max. 9.0 | 22304224-01-XXX | 3+4 | Max. 9.0 | 22304234-01-XXX |
| | 8 | Max. 9.0 | 22008214-01-XXX | 8 | Max. 9.0 | 22008224-01-XXX | 8 | Max. 9.0 | 22008234-01-XXX |
| | 10 | Max. 9.0 | 22010214-01-XXX | 10 | Max. 9.0 | 22010224-01-XXX | 10 | Max. 9.0 | 22010234-01-XXX |
| | 12 | Max. 9.0 | 22012214-01-XXX | 12 | Max. 9.0 | 22012224-01-XXX | 12 | Max. 9.0 | 22012234-01-XXX |




| Specifications | | | | | | | | | | |
|--------------------------|------------------------------|------|------|------------------------------|------|---|--------|------------------------------|-----------------------------|-----|
| Number of Contacts | 2 | 3 | 4 | 5 | 6 | 2+4 | 3+4 | 8 | 10 | 12 |
| Wire Gauge | 0.823mm ² (18AWG) | | | 0.519mm ² (20AWG) | | 0.823mm ² (18AWG)*2C/3C 0.519mm ² (20AWG)*4C | | 0.519mm ² (20AWG) | 0.34mm ² (22AWG) | |
| Cable Range | Max. 9.0 mm | | | | | | | | | |
| Environmental Protection | IP67 | | | | IP67 | | | | IP67 | |
| Mechanical Life | 500 mating cycles | | | | | | | | | |
| Operating Temperature | - 40°C - 80°C | | | | | | | | | |
| Voltage Rating | 300V | 300V | 125V | 60V | 60V | 60V | 60V | 60V | 30V | 30V |
| Rated Current(40°C) | 10A | 10A | 10A | 5A | 5A | 10A+5A | 10A+2A | 5A | 2A | 2A |

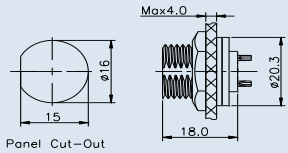
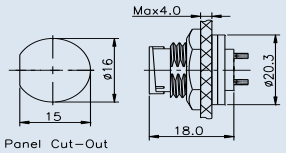
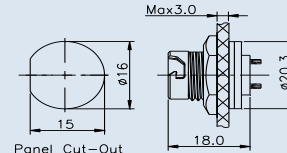
STANDARD SERIES

CHOGORI

Standard Series Specifications

Standard Series, Panel Mount & Female Pin

| | | | |
|-------------|---|---|---|
| Description | Panel Front Mount, Screw Type, Solder | Panel Front Mount, Lock Bayonet Type, Solder | Panel Front Mount, Push Lock Type, Solder |
| Figure |  |  |  |

| | | | |
|---------|---|--|---|
| Drawing |  |  |  |
|---------|---|--|---|

| Part Number | Contacts | Part Number | Contacts | Part Number | Contacts | Part Number |
|-------------|----------|-------------|-------------|-------------|-------------|-------------|
| | | 2 | 22002615-01 | 2 | 22002625-01 | 2 |
| | 3 | 22003615-01 | 3 | 22003625-01 | 3 | 22003635-01 |
| | 4 | 22004615-01 | 4 | 22004625-01 | 4 | 22004635-01 |
| | 5 | 22005615-01 | 5 | 22005625-01 | 5 | 22005635-01 |
| | 6 | 22006615-01 | 6 | 22006625-01 | 6 | 22006635-01 |
| | 2+4 | 22204615-01 | 2+4 | 22204625-01 | 2+4 | 22204635-01 |
| | 2+6 | 22206615-01 | 2+6 | 22206625-01 | 2+6 | 22206635-01 |

Specifications




| Number of Contacts | 2 | 3 | 4 | 5 | 6 | 2+4 | 2+6 |
|--------------------------|------------------------------|------|------|------------------------------|-----|---|---|
| Wire Gauge | 0.823mm ² (18AWG) | | | 0.519mm ² (20AWG) | | 0.823mm ² (18AWG)*2C 0.34mm ² (22AWG)*4C | 0.519mm ² (20AWG)*2C 0.34mm ² (22AWG)*6C |
| Panel Thickness | Max. 4.0mm | | | Max. 4.0mm | | | Max. 3.0mm |
| Environmental Protection | IP68 | | | IP67 | | | IP67 |
| Mechanical Life | 500 mating cycles | | | | | | |
| Operating Temperature | - 45°C - 105°C | | | | | | |
| Voltage Rating | 300V | 300V | 125V | 60V | 60V | 60V | 30V |
| Rated Current (40°C) | 10A | 10A | 10A | 5A | 5A | 10A+2A | 5A+2A |

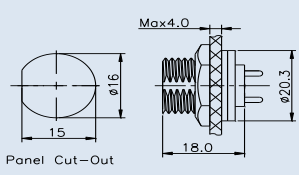
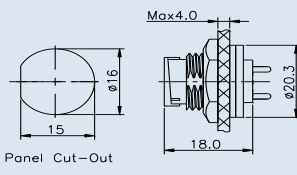
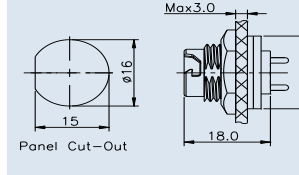
STANDARD SERIES

CHOGORI

Standard Series Specifications

Standard Series, Panel Mount & Female Pin

| | | | |
|-------------|---|---|---|
| Description | Panel Front Mount, Screw Type, PCB | Panel Front Mount, Lock Bayonet Type, PCB | Panel Front Mount, Push Lock Type, PCB |
| Figure |  |  |  |

| | | | |
|---------|---|--|---|
| Drawing |  |  |  |
|---------|---|--|---|

| Part Number | Screw Type | | Lock Bayonet Type | | Push Lock Type | |
|-------------|------------|-------------|-------------------|-------------|----------------|-------------|
| | Contacts | Part Number | Contacts | Part Number | Contacts | Part Number |
| | 2 | 22002615-02 | 2 | 22002625-02 | 2 | 22002635-02 |
| | 3 | 22003615-02 | 3 | 22003625-02 | 3 | 22003635-02 |
| | 4 | 22004615-02 | 4 | 22004625-02 | 4 | 22004635-02 |
| | 5 | 22005615-02 | 5 | 22005625-02 | 5 | 22005635-02 |
| | 6 | 22006615-02 | 6 | 22006625-02 | 6 | 22006635-02 |
| | 2+4 | 22204615-02 | 2+4 | 22204625-02 | 2+4 | 22204635-02 |
| | 2+6 | 22206615-02 | 2+6 | 22206625-02 | 2+6 | 22206635-02 |

Specifications




| Number of Contacts | 2 | 3 | 4 | 5 | 6 | 2+4 | 2+6 |
|--------------------------|------------------------------|------|------|------------------------------|-----|---|---|
| Wire Gauge | 0.823mm ² (18AWG) | | | 0.519mm ² (20AWG) | | 0.823mm ² (18AWG)*2C 0.34mm ² (22AWG)*4C | 0.519mm ² (20AWG)*2C 0.34mm ² (22AWG)*6C |
| Panel Thickness | Max. 4.0mm | | | Max. 4.0mm | | | Max. 3.0mm |
| Environmental Protection | IP68 | | | IP67 | | | IP67 |
| Mechanical Life | 500 mating cycles | | | | | | |
| Operating Temperature | - 45°C - 105°C | | | | | | |
| Voltage Rating | 300V | 300V | 125V | 60V | 60V | 60V | 30V |
| Rated Current (40°C) | 10A | 10A | 10A | 5A | 5A | 10A+2A | 5A+2A |

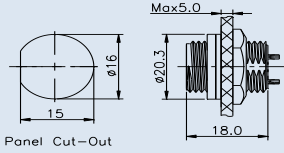
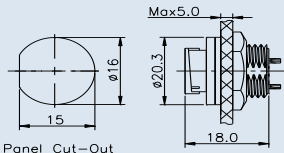
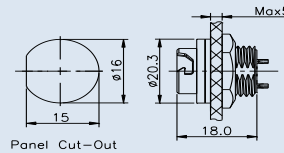
STANDARD SERIES

CHOGORI

Standard Series Specifications

Standard Series, Panel Mount & Female Pin

| | | | |
|-------------|---|---|---|
| Description | Panel Rear Mount, Screw Type, Solder | Panel Rear Mount, Lock Bayonet Type, Solder | Panel Rear Mount, Push Lock Type, Solder |
| Figure |  |  |  |

| | | | |
|---------|---|--|---|
| Drawing |  |  |  |
|---------|---|--|---|

| Part Number | Contacts | | Part Number | | Contacts | | Part Number | | Contacts | | Part Number | |
|-------------|----------|-------------|-------------|-------------|-------------|-------------|-------------|-------------|-------------|-------------|-------------|-------------|
| | | 2 | 22002615-03 | 2 | 22002625-03 | 2 | 22002635-03 | 2 | 22002635-03 | 2 | 22002635-03 | 2 |
| | 3 | 22003615-03 | 3 | 22003625-03 | 3 | 22003635-03 | 3 | 22003635-03 | 3 | 22003635-03 | 3 | 22003635-03 |
| | 4 | 22004615-03 | 4 | 22004625-03 | 4 | 22004635-03 | 4 | 22004635-03 | 4 | 22004635-03 | 4 | 22004635-03 |
| | 5 | 22005615-03 | 5 | 22005625-03 | 5 | 22005635-03 | 5 | 22005635-03 | 5 | 22005635-03 | 5 | 22005635-03 |
| | 6 | 22006615-03 | 6 | 22006625-03 | 6 | 22006635-03 | 6 | 22006635-03 | 6 | 22006635-03 | 6 | 22006635-03 |
| | 2+4 | 22204615-03 | 2+4 | 22204625-03 | 2+4 | 22204635-03 | 2+4 | 22204635-03 | 2+4 | 22204635-03 | 2+4 | 22204635-03 |
| | 2+6 | 22206615-03 | 2+6 | 22206625-03 | 2+6 | 22206635-03 | 2+6 | 22206635-03 | 2+6 | 22206635-03 | 2+6 | 22206635-03 |




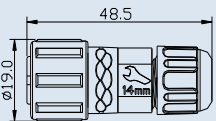
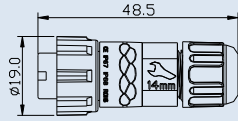
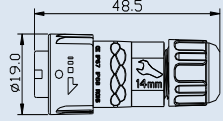
| Specifications | | | | | | | | | | | | |
|--------------------------|------------------------------|------|------|------------------------------|-----|---|------------|---|--|-------|-----|--|
| Number of Contacts | 2 | 3 | 4 | 5 | 6 | 2+4 | 2+6 | | | | | |
| Wire Gauge | 0.823mm ² (18AWG) | | | 0.519mm ² (20AWG) | | 0.823mm ² (18AWG)*2C 0.34mm ² (22AWG)*4C | | 0.519mm ² (20AWG)*2C 0.34mm ² (22AWG)*6C | | | | |
| Panel Thickness | Max. 5.0mm | | | Max. 5.0mm | | | Max. 5.5mm | | | | | |
| Environmental Protection | IP68 | | | IP67 | | | IP67 | | | | | |
| Mechanical Life | 500 mating cycles | | | | | | | | | | | |
| Operating Temperature | - 45°C - 105°C | | | | | | | | | | | |
| Voltage Rating | 300V | 300V | 125V | 60V | 60V | 60V | 60V | | | | 30V | |
| Rated Current (40°C) | 10A | 10A | 10A | 5A | 5A | 10A+2A | | | | 5A+2A | | |

STANDARD SERIES

CHOGORI

Standard Series Specifications

Standard Series, Male Connector & Male Pin

| | | | |
|-------------|---|--|---|
| Description | Field Installable, 180° Screw Type, Solder | Field Installable, 180° Lock Bayonet Type, Solder | Field Installable, 180° Push Lock Type, Solder |
| Figure |  |  |  |
| Drawing |  |  |  |

| Part Number | Screw Type | | | Lock Bayonet Type | | | Push Lock Type | | |
|-------------|------------|-----------------|-------------|-------------------|-----------------|-------------|----------------|-----------------|-------------|
| | Contacts | Cable Range(mm) | Part Number | Contacts | Cable Range(mm) | Part Number | Contacts | Cable Range(mm) | Part Number |
| | 2 | 3.5 - 6.8 | 22002111-01 | 2 | 3.5 - 6.8 | 22002121-01 | 2 | 3.5 - 6.8 | 22002131-01 |
| | 3 | 3.5 - 6.8 | 22003111-01 | 3 | 3.5 - 6.8 | 22003121-01 | 3 | 3.5 - 6.8 | 22003131-01 |
| | 4 | 3.5 - 6.8 | 22004111-01 | 4 | 3.5 - 6.8 | 22004121-01 | 4 | 3.5 - 6.8 | 22004131-01 |
| | 5 | 3.5 - 6.8 | 22005111-01 | 5 | 3.5 - 6.8 | 22005121-01 | 5 | 3.5 - 6.8 | 22005131-01 |
| | 6 | 3.5 - 6.8 | 22006111-01 | 6 | 3.5 - 6.8 | 22006121-01 | 6 | 3.5 - 6.8 | 22006131-01 |
| | 2+4 | 3.5 - 6.8 | 22204111-01 | 2+4 | 3.5 - 6.8 | 22204121-01 | 2+4 | 3.5 - 6.8 | 22204131-01 |
| | 2+6 | 3.5 - 6.8 | 22206111-01 | 2+6 | 3.5 - 6.8 | 22206121-01 | 2+6 | 3.5 - 6.8 | 22206131-01 |

Specifications




| | | | | | | | |
|--------------------------|------------------------------|------|------|------------------------------|---|--------|---|
| Number of Contacts | 2 | 3 | 4 | 5 | 6 | 2+4 | 2+6 |
| Wire Gauge | 0.823mm ² (18AWG) | | | 0.519mm ² (20AWG) | 0.823mm ² (18AWG)*2C 0.34mm ² (22AWG)*4C | | 0.519mm ² (20AWG)*2C 0.34mm ² (22AWG)*6C |
| Cable Range | 3.5mm - 6.8mm | | | | | | |
| Environmental Protection | IP68 | | | IP67 | | | IP67 |
| Mechanical Life | 500 mating cycles | | | | | | |
| Operating Temperature | - 45°C - 105°C | | | | | | |
| Voltage Rating | 300V | 300V | 125V | 60V | 60V | 60V | 30V |
| Rated Current (40°C) | 10A | 10A | 10A | 5A | 5A | 10A+2A | 5A+2A |

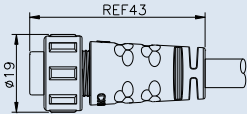
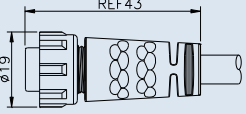
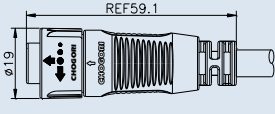
STANDARD SERIES

CHOGORI

Standard Series Specifications

Standard Series, Male Connector & Male Pin

| | | | |
|-------------|---|---|---|
| Description | Molded with Cable, 180° Screw Type, Solder | Molded with Cable, 180° Lock Bayonet Type, Solder | Molded with Cable, 180° Push Lock Type, Solder |
| Figure |  |  |  |

| | | | |
|---------|---|--|---|
| Drawing |  |  |  |
|---------|---|--|---|

| Part Number | Screw Type | | | Lock Bayonet Type | | | Push Lock Type | | |
|-------------|------------|-----------------|-----------------|-------------------|-----------------|-----------------|----------------|-----------------|-----------------|
| | Contacts | Cable Range(mm) | Part Number | Contacts | Cable Range(mm) | Part Number | Contacts | Cable Range(mm) | Part Number |
| | 2 | Max. 9.0 | 22002113-01-XXX | 2 | Max. 9.0 | 22002123-01-XXX | 2 | Max. 9.0 | 22002133-01-XXX |
| | 3 | Max. 9.0 | 22003113-01-XXX | 3 | Max. 9.0 | 22003123-01-XXX | 3 | Max. 9.0 | 22003133-01-XXX |
| | 4 | Max. 9.0 | 22004113-01-XXX | 4 | Max. 9.0 | 22004123-01-XXX | 4 | Max. 9.0 | 22004133-01-XXX |
| | 5 | Max. 9.0 | 22005113-01-XXX | 5 | Max. 9.0 | 22005123-01-XXX | 5 | Max. 9.0 | 22005133-01-XXX |
| | 6 | Max. 9.0 | 22006113-01-XXX | 6 | Max. 9.0 | 22006123-01-XXX | 6 | Max. 9.0 | 22006133-01-XXX |
| | 2+4 | Max. 9.0 | 22204113-01-XXX | 2+4 | Max. 9.0 | 22204123-01-XXX | 2+4 | Max. 9.0 | 22204133-01-XXX |
| | 2+6 | Max. 9.0 | 22206113-01-XXX | 2+6 | Max. 9.0 | 22206123-01-XXX | 2+6 | Max. 9.0 | 22206133-01-XXX |

Specifications




| Number of Contacts | 2 | 3 | 4 | 5 | 6 | 2+4 | 2+6 |
|--------------------------|------------------------------|------|------|------------------------------|-----|---|---|
| Wire Gauge | 0.823mm ² (18AWG) | | | 0.519mm ² (20AWG) | | 0.823mm ² (18AWG)*2C 0.34mm ² (22AWG)*4C | 0.519mm ² (20AWG)*2C 0.34mm ² (22AWG)*6C |
| Cable Range | Max. 9.0 mm | | | | | | |
| Environmental Protection | IP67 | | | IP67 | | | IP67 |
| Mechanical Life | 500 mating cycles | | | | | | |
| Operating Temperature | - 40°C - 80°C | | | | | | |
| Voltage Rating | 300V | 300V | 125V | 60V | 60V | 60V | 30V |
| Rated Current (40°C) | 10A | 10A | 10A | 5A | 5A | 10A+2A | 5A+2A |

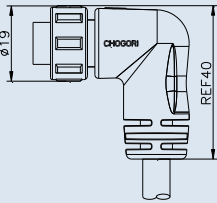
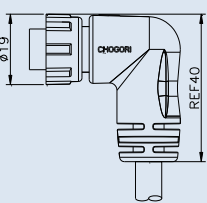
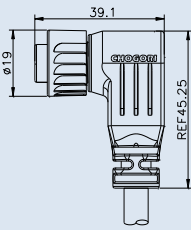
STANDARD SERIES

CHOGORI

Standard Series Specifications

Standard series, Male connector & Male Pin

| | | | |
|-------------|---|--|---|
| Description | Molded with Cable, 90° Screw Type, Solder | Molded with Cable, 90° Lock Bayonet Type, Solder | Molded with Cable, 90° Push Lock Type, Solder |
| Figure |  |  |  |

| | | | |
|---------|---|---|---|
| Drawing |  |  |  |
|---------|---|---|---|

| Part Number | Contacts | | Cable Range(mm) | Part Number | Contacts | | Cable Range(mm) | Part Number |
|-------------|----------|---|-----------------|-----------------|----------|---|-----------------|-----------------|
| | 2 | 3 | | | 4 | 5 | | |
| Max. 9.0 | 2 | | Max. 9.0 | 22002114-01-XXX | 2 | | Max. 9.0 | 22002124-01-XXX |
| | 3 | | | 2200311401-XXX | 3 | | | 22003124-01-XXX |
| | 4 | | | 22004114-01-XXX | 4 | | | 22004124-01-XXX |
| | 5 | | | 22005114-01-XXX | 5 | | | 22005124-01-XXX |
| | 6 | | | 22006114-01-XXX | 6 | | | 22006124-01-XXX |
| | 2+4 | | | 22204114-01-XXX | 2+4 | | | 22204124-01-XXX |
| | 2+6 | | | 22206114-01-XXX | 2+6 | | | 22206124-01-XXX |
| | | | | | | | | 22002134-01-XXX |
| | | | | | | | | 22003134-01-XXX |
| | | | | | | | | 22004134-01-XXX |
| | | | | | | | | 22005134-01-XXX |
| | | | | | | | | 22006134-01-XXX |
| | | | | | | | | 22204134-01-XXX |
| | | | | | | | | 22206134-01-XXX |

Specifications

| | | | | | | | |
|--------------------------|------------------------------|------|------|------------------------------|-----|---|-------|
| Number of Contacts | 2 | 3 | 4 | 5 | 6 | 2+4 | 2+6 |
| Wire Gauge | 0.823mm ² (18AWG) | | | 0.519mm ² (20AWG) | | 0.823mm ² (18AWG)*2C 0.34mm ² (22AWG)*4C | |
| Cable Range | Max. 9.0 mm | | | | | | |
| Environmental Protection | IP67 | | | IP67 | | | IP67 |
| Mechanical Life | 500 mating cycles | | | | | | |
| Operating Temperature | - 40°C - 80°C | | | | | | |
| Voltage Rating | 300V | 300V | 125V | 60V | 60V | 60V | 30V |
| Rated Current (40°C) | 10A | 10A | 10A | 5A | 5A | 10A+2A | 5A+2A |

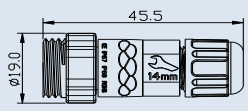
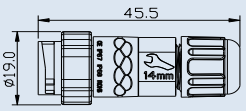
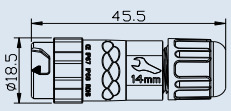
STANDARD SERIES

CHOGORI

Standard Series Specifications

Standard Series, Female Connector & Male Pin

| | | | |
|-------------|---|--|---|
| Description | Field Installable, 180° Screw Type, Solder | Field Installable, 180° Lock Bayonet Type, Solder | Field Installable, 180° Push Lock Type, Solder |
| Figure |  |  |  |

| | | | |
|---------|---|--|---|
| Drawing |  |  |  |
|---------|---|--|---|

| Part Number | Screw Type | | | Lock Bayonet Type | | | Push Lock Type | | |
|-------------|------------|-----------------|-------------|-------------------|-----------------|-------------|----------------|-----------------|-------------|
| | Contacts | Cable Range(mm) | Part Number | Contacts | Cable Range(mm) | Part Number | Contacts | Cable Range(mm) | Part Number |
| | 2 | 3.5 - 6.8 | 22002311-01 | 2 | 3.5 - 6.8 | 22002321-01 | 2 | 3.5 - 6.8 | 22002331-01 |
| | 3 | 3.5 - 6.8 | 22003311-01 | 3 | 3.5 - 6.8 | 22003321-01 | 3 | 3.5 - 6.8 | 22003331-01 |
| | 4 | 3.5 - 6.8 | 22004311-01 | 4 | 3.5 - 6.8 | 22004321-01 | 4 | 3.5 - 6.8 | 22004331-01 |
| | 5 | 3.5 - 6.8 | 22005311-01 | 5 | 3.5 - 6.8 | 22005321-01 | 5 | 3.5 - 6.8 | 22005331-01 |
| | 6 | 3.5 - 6.8 | 22006311-01 | 6 | 3.5 - 6.8 | 22006321-01 | 6 | 3.5 - 6.8 | 22006331-01 |
| | 2+4 | 3.5 - 6.8 | 22204311-01 | 2+4 | 3.5 - 6.8 | 22204321-01 | 2+4 | 3.5 - 6.8 | 22204331-01 |
| | 3+4 | 3.5 - 6.8 | 22304311-01 | 3+4 | 3.5 - 6.8 | 22304321-01 | 3+4 | 3.5 - 6.8 | 22304331-01 |
| | 8 | 3.5 - 6.8 | 22008311-01 | 8 | 3.5 - 6.8 | 22008321-01 | 8 | 3.5 - 6.8 | 22008331-01 |
| | 10 | 3.5 - 6.8 | 22010311-01 | 10 | 3.5 - 6.8 | 22010321-01 | 10 | 3.5 - 6.8 | 22010331-01 |
| | 12 | 3.5 - 6.8 | 22012311-01 | 12 | 3.5 - 6.8 | 22012321-01 | 12 | 3.5 - 6.8 | 22012331-01 |




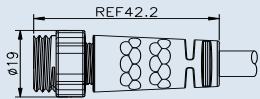
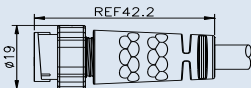
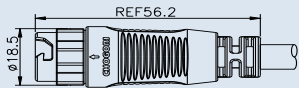
| Specifications | | | | | | | | | | | |
|--------------------------|------------------------------|------|------|------------------------------|------|---|--------|------------------------------|------|-----------------------------|--|
| Number of Contacts | 2 | 3 | 4 | 5 | 6 | 2+4 | 3+4 | 8 | 10 | 12 | |
| Wire Gauge | 0.823mm ² (18AWG) | | | 0.519mm ² (20AWG) | | 0.823mm ² (18AWG)*2C/3C 0.519mm ² (20AWG)*4C | | 0.519mm ² (20AWG) | | 0.34mm ² (22AWG) | |
| Cable Range | 3.5mm - 6.8mm | | | | | | | | | | |
| Environmental Protection | IP68 | | | | IP67 | | | | IP67 | | |
| Mechanical Life | 500 mating cycles | | | | | | | | | | |
| Operating Temperature | - 45°C - 105°C | | | | | | | | | | |
| Voltage Rating | 300V | 300V | 125V | 60V | 60V | 60V | 60V | 60V | 30V | 30V | |
| Rated Current (40°C) | 10A | 10A | 10A | 5A | 5A | 10A+5A | 10A+2A | 5A | 2A | 2A | |

STANDARD SERIES

CHOGORI

Standard Series Specifications

Standard Series, Female Connector & Male Pin

| | | | |
|-------------|---|--|---|
| Description | Molded with Cable, 180° Screw Type, Solder | Molded with Cable, 180° Lock Bayonet Type, Solder | Molded with Cable, 180° Push Lock Type, Solder |
| Figure |  |  |  |
| Drawing |  |  |  |

| Part Number | Screw Type | | | Lock Bayonet Type | | | Push Lock Type | | |
|-------------|------------|-----------------|-----------------|-------------------|-----------------|-----------------|----------------|-----------------|-----------------|
| | Contacts | Cable Range(mm) | Part Number | Contacts | Cable Range(mm) | Part Number | Contacts | Cable Range(mm) | Part Number |
| | 2 | Max. 9.0 | 22002313-01-XXX | 2 | Max. 9.0 | 22002323-01-XXX | 2 | Max. 9.0 | 22002333-01-XXX |
| | 3 | Max. 9.0 | 22003313-01-XXX | 3 | Max. 9.0 | 22003323-01-XXX | 3 | Max. 9.0 | 22003333-01-XXX |
| | 4 | Max. 9.0 | 22004313-01-XXX | 4 | Max. 9.0 | 22004323-01-XXX | 4 | Max. 9.0 | 22004333-01-XXX |
| | 5 | Max. 9.0 | 22005313-01-XXX | 5 | Max. 9.0 | 22005323-01-XXX | 5 | Max. 9.0 | 22005333-01-XXX |
| | 6 | Max. 9.0 | 22006313-01-XXX | 6 | Max. 9.0 | 22006323-01-XXX | 6 | Max. 9.0 | 22006333-01-XXX |
| | 2+4 | Max. 9.0 | 22204313-01-XXX | 2+4 | Max. 9.0 | 22204323-01-XXX | 2+4 | Max. 9.0 | 22204333-01-XXX |
| | 3+4 | Max. 9.0 | 22304313-01-XXX | 3+4 | Max. 9.0 | 22304323-01-XXX | 3+4 | Max. 9.0 | 22304333-01-XXX |
| | 8 | Max. 9.0 | 22008313-01-XXX | 8 | Max. 9.0 | 22008323-01-XXX | 8 | Max. 9.0 | 22008333-01-XXX |
| | 10 | Max. 9.0 | 22010313-01-XXX | 10 | Max. 9.0 | 22010323-01-XXX | 10 | Max. 9.0 | 22010333-01-XXX |
| | 12 | Max. 9.0 | 22012313-01-XXX | 12 | Max. 9.0 | 22012323-01-XXX | 12 | Max. 9.0 | 22012333-01-XXX |

Specifications

| Number of Contacts | 2 | 3 | 4 | 5 | 6 | 2+4 | 3+4 | 8 | 10 | 12 |
|--------------------------|------------------------------|------|------|------------------------------|-----|---|--------|------------------------------|------|-----------------------------|
| Wire Gauge | 0.823mm ² (18AWG) | | | 0.519mm ² (20AWG) | | 0.823mm ² (18AWG)*2C/3C 0.519mm ² (20AWG)*4C | | 0.519mm ² (20AWG) | | 0.34mm ² (22AWG) |
| Cable Range | Max. 9.0 mm | | | | | | | | | |
| Environmental Protection | IP67 | | | | | IP67 | | | IP67 | |
| Mechanical Life | 500 mating cycles | | | | | | | | | |
| Operating Temperature | - 40°C - 80°C | | | | | | | | | |
| Voltage Rating | 300V | 300V | 125V | 60V | 60V | 60V | 60V | 60V | 30V | 30V |
| Rated Current (40°C) | 10A | 10A | 10A | 5A | 5A | 10A+5A | 10A+2A | 5A | 2A | 2A |

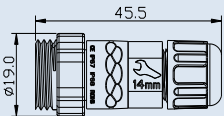
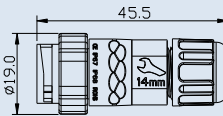
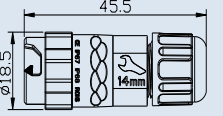
STANDARD SERIES

CHOGORI

Standard Series Specifications

Standard Series, Female Connector & Female Pin

| | | | |
|-------------|---|--|---|
| Description | Field Installable, 180° Screw Type, Solder | Field Installable, 180° Lock Bayonet Type, Solder | Field Installable, 180° Push Lock Type, Solder |
| Figure |  |  |  |

| | | | |
|---------|---|---|---|
| Drawing |  |  |  |
|---------|---|---|---|

| Part Number | Screw Type | | | Lock Bayonet Type | | | Push Lock Type | | |
|-------------|------------|-----------------|-------------|-------------------|-----------------|-------------|----------------|-----------------|-------------|
| | Contacts | Cable Range(mm) | Part Number | Contacts | Cable Range(mm) | Part Number | Contacts | Cable Range(mm) | Part Number |
| | 2 | 3.5 - 6.8 | 22002411-01 | 2 | 3.5 - 6.8 | 22002421-01 | 2 | 3.5 - 6.8 | 22002431-01 |
| | 3 | 3.5 - 6.8 | 22003411-01 | 3 | 3.5 - 6.8 | 22003421-01 | 3 | 3.5 - 6.8 | 22003431-01 |
| | 4 | 3.5 - 6.8 | 22004411-01 | 4 | 3.5 - 6.8 | 22004421-01 | 4 | 3.5 - 6.8 | 22004431-01 |
| | 5 | 3.5 - 6.8 | 22005411-01 | 5 | 3.5 - 6.8 | 22005421-01 | 5 | 3.5 - 6.8 | 22005431-01 |
| | 6 | 3.5 - 6.8 | 22006411-01 | 6 | 3.5 - 6.8 | 22006421-01 | 6 | 3.5 - 6.8 | 22006431-01 |
| | 2+4 | 3.5 - 6.8 | 22204411-01 | 2+4 | 3.5 - 6.8 | 22204421-01 | 2+4 | 3.5 - 6.8 | 22204431-01 |
| | 2+6 | 3.5 - 6.8 | 22206411-01 | 2+6 | 3.5 - 6.8 | 22206421-01 | 2+6 | 3.5 - 6.8 | 22206431-01 |

Specifications

| | | | | | | | |
|--------------------------|------------------------------|------|------|------------------------------|---|---|-------|
| Number of Contacts | 2 | 3 | 4 | 5 | 6 | 2+4 | 2+6 |
| Wire Gauge | 0.823mm ² (18AWG) | | | 0.519mm ² (20AWG) | 0.823mm ² (18AWG)*2C 0.34mm ² (22AWG)*4C | 0.519mm ² (20AWG)*2C 0.34mm ² (22AWG)*6C | |
| Cable Range | 3.5mm - 6.8mm | | | | | | |
| Environmental Protection | IP68 | | | IP67 | | | IP67 |
| Mechanical Life | 500 mating cycles | | | | | | |
| Operating Temperature | - 45°C - 105°C | | | | | | |
| Voltage Rating | 300V | 300V | 125V | 60V | 60V | 60V | 30V |
| Rated Current (40°C) | 10A | 10A | 10A | 5A | 5A | 10A+2A | 5A+2A |

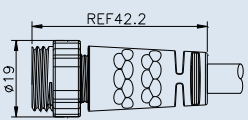
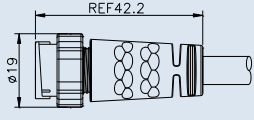
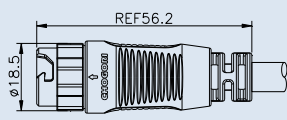
STANDARD SERIES

CHOGORI

Standard Series Specifications

Standard Series, Female Connector & Female Pin

| Description | Molded with Cable, 180° Screw Type, Solder | Molded with Cable, 180° Lock Bayonet Type, Solder | Molded with Cable, 180° Push Lock Type, Solder |
|-------------|---|--|---|
| Figure |  |  |  |

| Drawing |  |  |  |
|---------|---|--|---|
|---------|---|--|---|

| Part Number | Screw Type | | | Lock Bayonet Type | | | Push Lock Type | | |
|-------------|------------|-----------------|-----------------|-------------------|-----------------|-----------------|----------------|-----------------|-----------------|
| | Contacts | Cable Range(mm) | Part Number | Contacts | Cable Range(mm) | Part Number | Contacts | Cable Range(mm) | Part Number |
| | 2 | Max. 9.0 | 22002413-01-XXX | 2 | Max. 9.0 | 22002423-01-XXX | 2 | Max. 9.0 | 22002433-01-XXX |
| | 3 | Max. 9.0 | 22003413-01-XXX | 3 | Max. 9.0 | 22003423-01-XXX | 3 | Max. 9.0 | 22003433-01-XXX |
| | 4 | Max. 9.0 | 22004413-01-XXX | 4 | Max. 9.0 | 22004423-01-XXX | 4 | Max. 9.0 | 22004433-01-XXX |
| | 5 | Max. 9.0 | 22005413-01-XXX | 5 | Max. 9.0 | 22005423-01-XXX | 5 | Max. 9.0 | 22005433-01-XXX |
| | 6 | Max. 9.0 | 22006413-01-XXX | 6 | Max. 9.0 | 22006423-01-XXX | 6 | Max. 9.0 | 22006433-01-XXX |
| | 2+4 | Max. 9.0 | 22204413-01-XXX | 2+4 | Max. 9.0 | 22204423-01-XXX | 2+4 | Max. 9.0 | 22204433-01-XXX |
| | 2+6 | Max. 9.0 | 22206413-01-XXX | 2+6 | Max. 9.0 | 22206423-01-XXX | 2+6 | Max. 9.0 | 22206433-01-XXX |

Specifications

| | | | | | | | |
|--------------------------|------------------------------|------|------|------------------------------|---|---|-------|
| Number of Contacts | 2 | 3 | 4 | 5 | 6 | 2+4 | 2+6 |
| Wire Gauge | 0.823mm ² (18AWG) | | | 0.519mm ² (20AWG) | 0.823mm ² (18AWG)*2C 0.34mm ² (22AWG)*4C | 0.519mm ² (20AWG)*2C 0.34mm ² (22AWG)*6C | |
| Cable Range | Max. 9.0 mm | | | | | | |
| Environmental Protection | IP67 | | | IP67 | | | IP67 |
| Mechanical Life | 500 mating cycles | | | | | | |
| Operating Temperature | - 40°C - 80°C | | | | | | |
| Voltage Rating | 300V | 300V | 125V | 60V | 60V | 60V | 30V |
| Rated Current (40°C) | 10A | 10A | 10A | 5A | 5A | 10A+2A | 5A+2A |