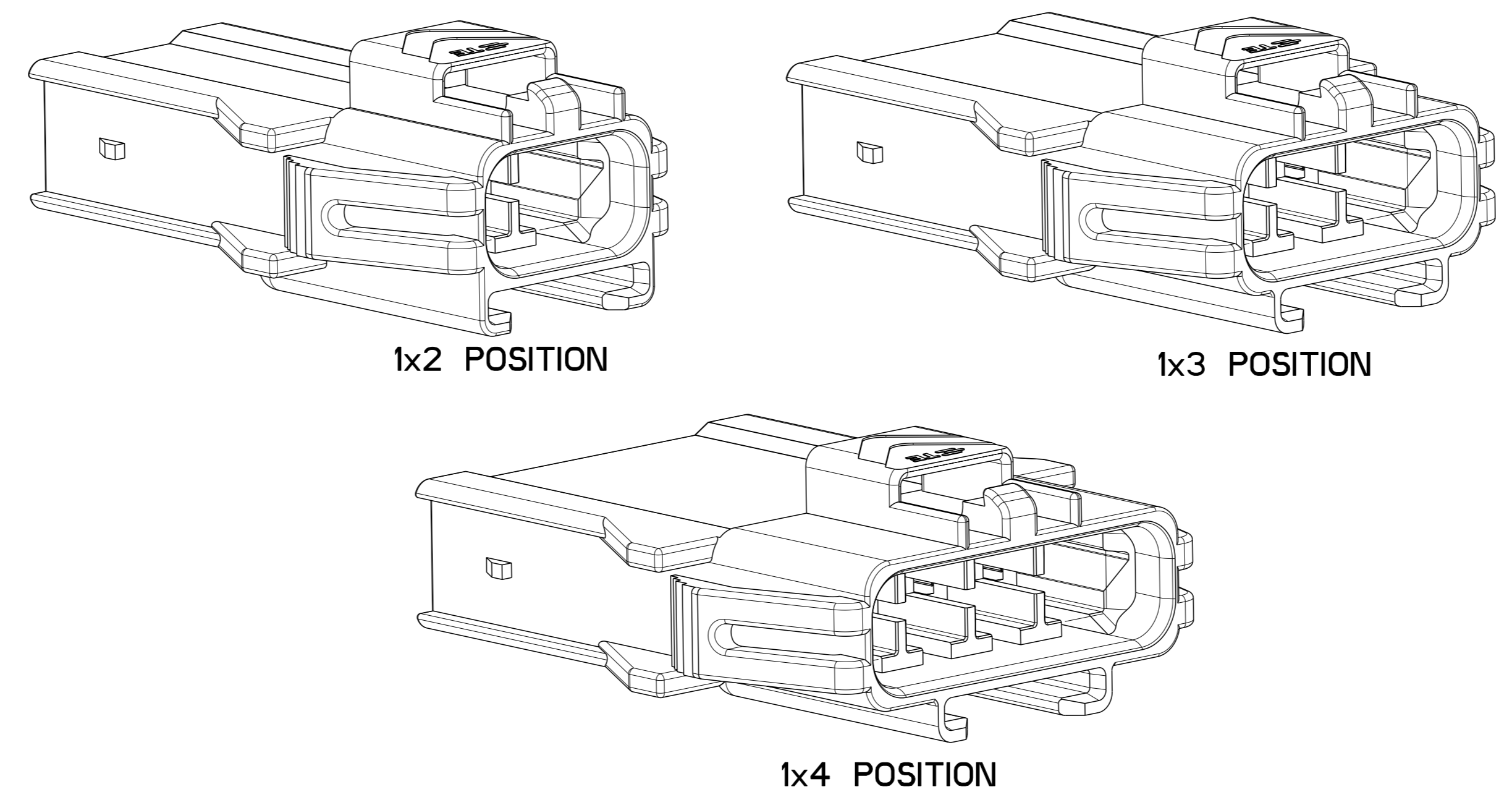
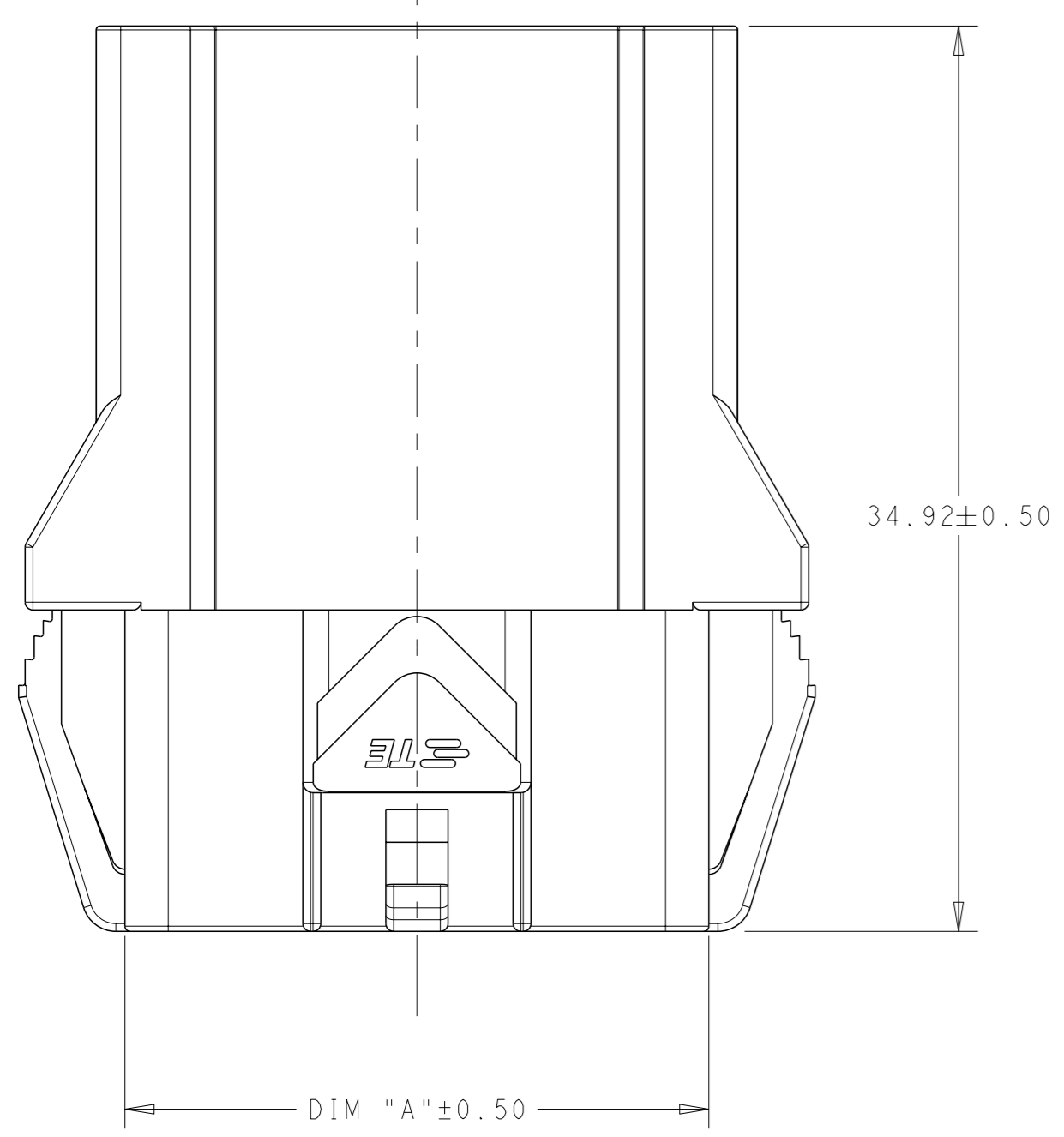
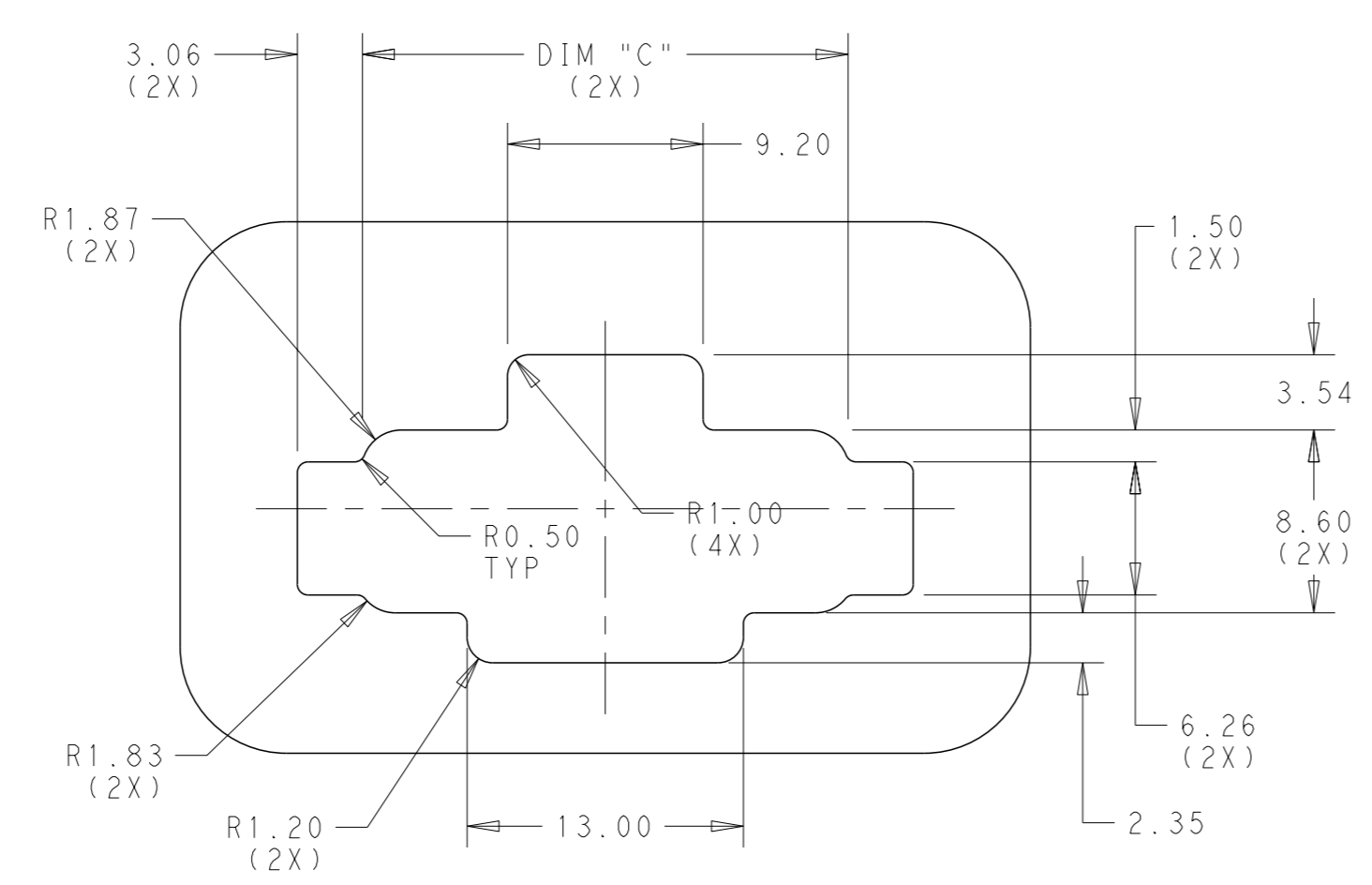
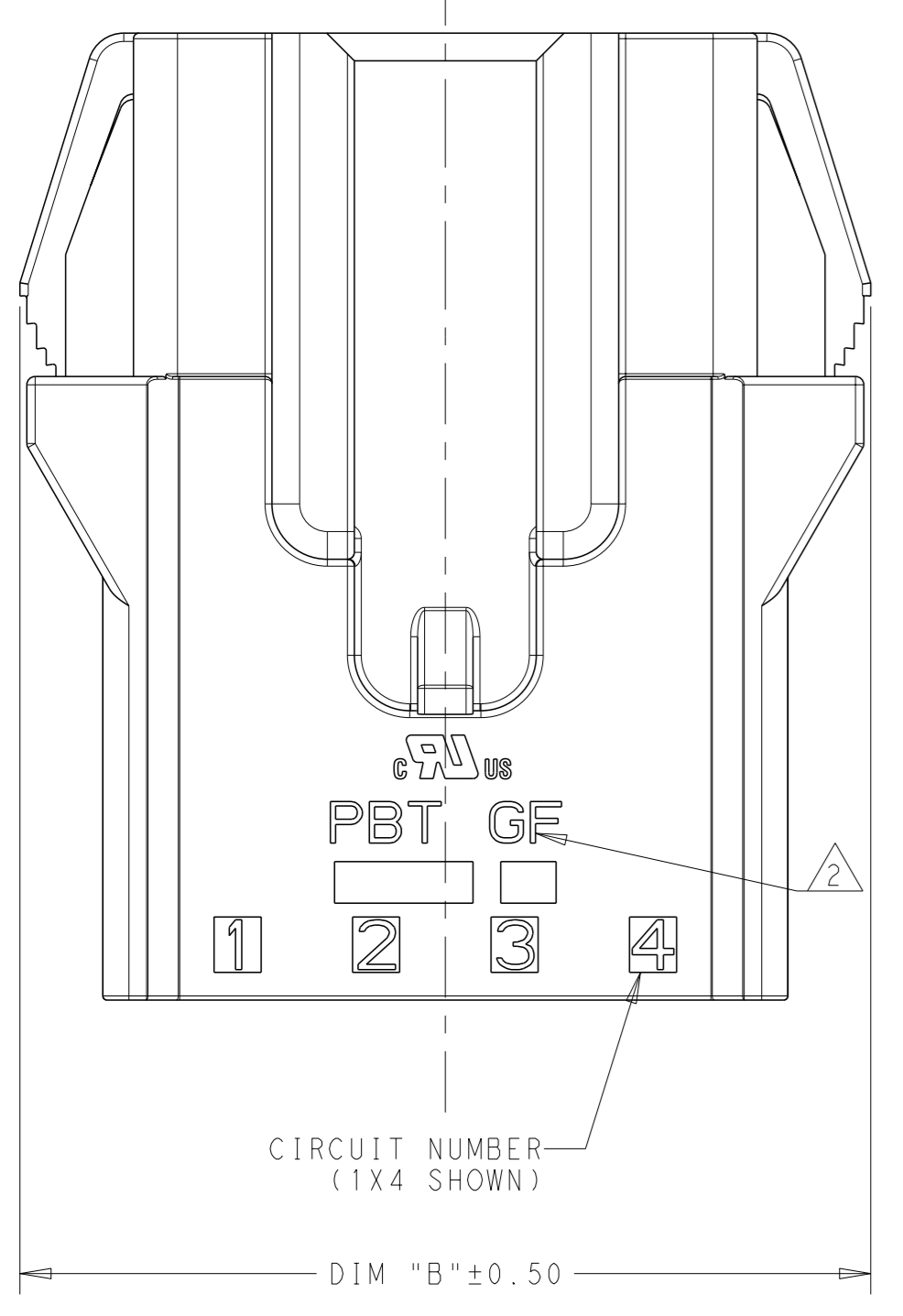
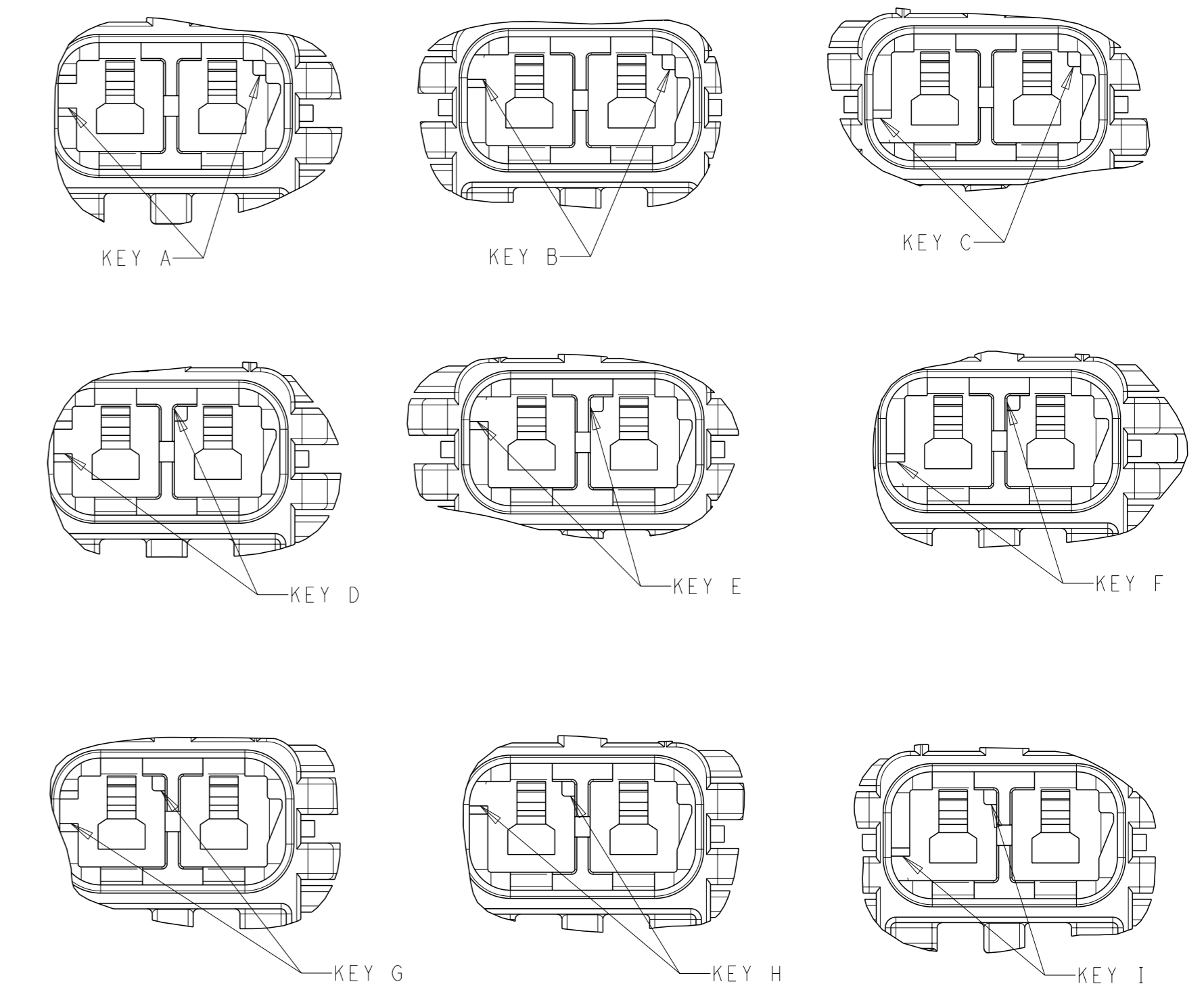
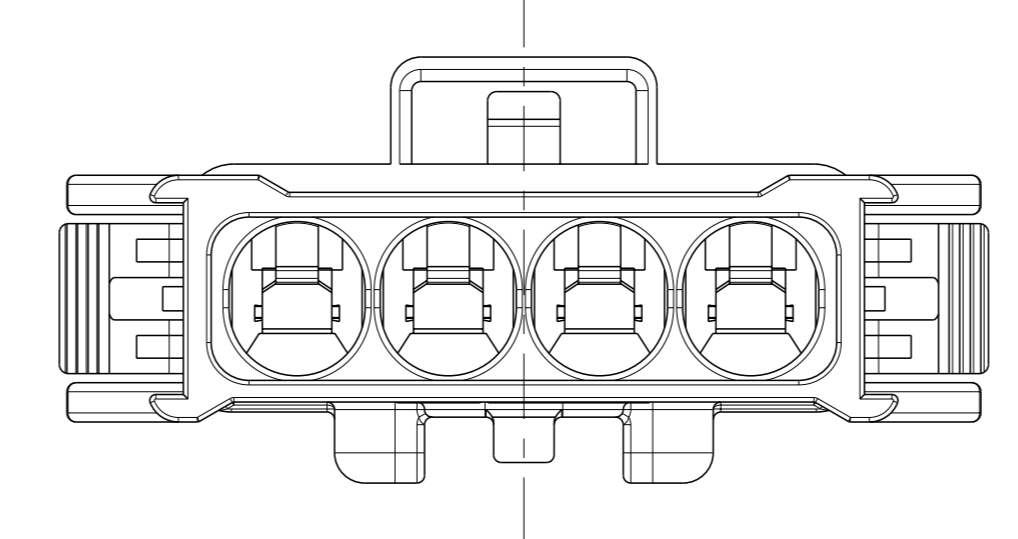
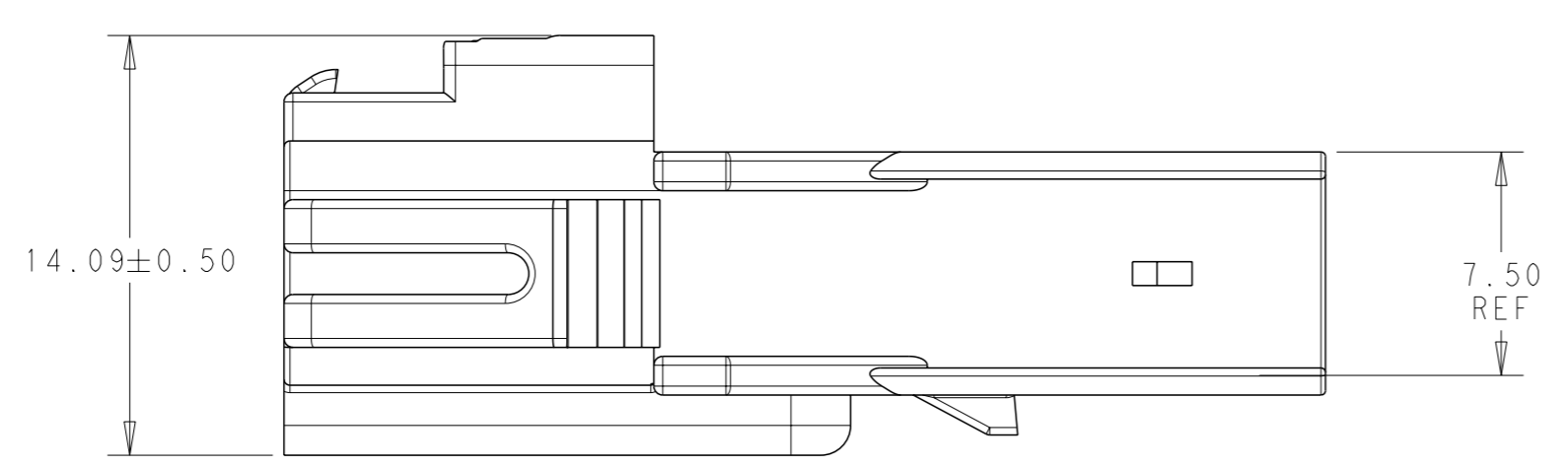
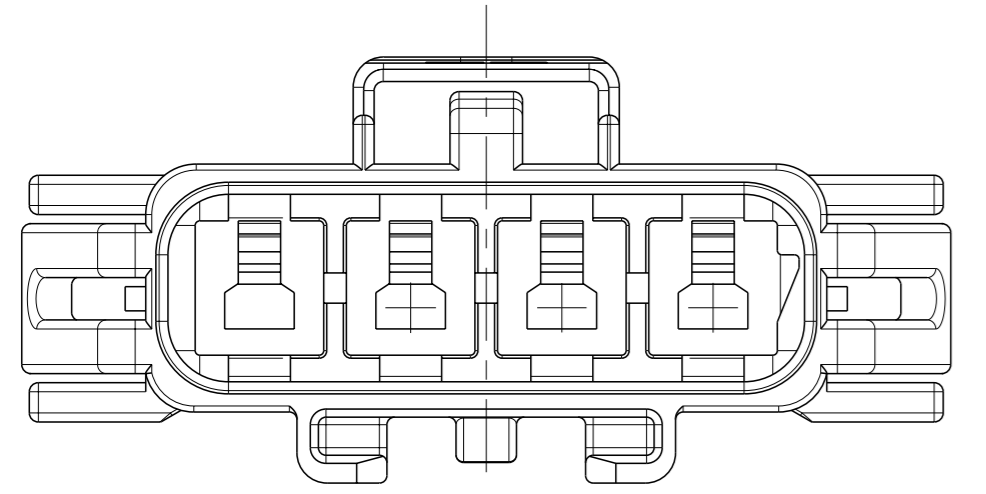


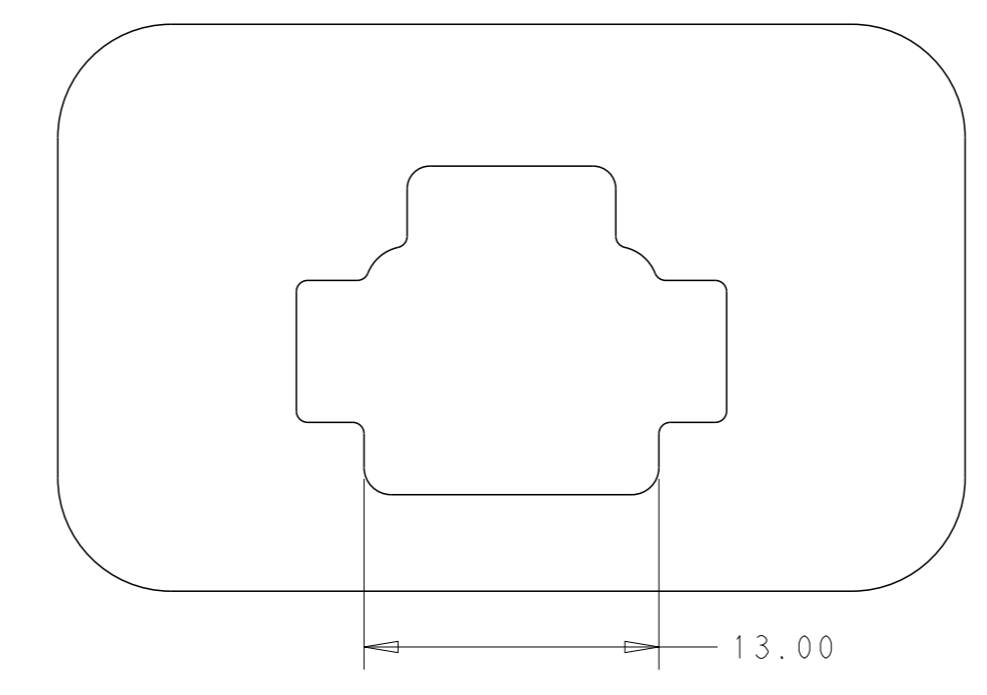
REVISIONS				
P	LT#	DESCRIPTION	DATE	OWN APVD
A		RELEASED PER ECN-20-100548	30OCT2020	JP VS



- 1. MATERIAL: PBT, GLASS FILLED  
 KEY A: NATURAL; KEY B: GREY; KEY C: BROWN  
 KEY D: RED; KEY E: ORANGE; KEY F: VIOLET  
 KEY G: YELLOW; KEY H: BLUE; KEY I: GREEN
- 2. MATERIAL MARK: PBT GF
- 3. APPLICABLE CONTACT P/N:  
 2329910-\*/2329907-\*/2329906-\*/2329908-\*/2329909-\*/2329911-\*
- 4. MATING CONNECTOR P/N  
 PLUG HSG: \*2378159-\*  
 TPA: 2329016-\*  
 BACK COVER: 2334614-\*  
 INTERFACE SEAL: 2325347-\*  
 GANG SEAL: 2325349-\*
- 5. RECOMMENDED PANEL THICKNESS: 0.80-2.00
- 6. PANEL MUST BE PUNCHED SO THAT THE HOUSING ENTERS THE PANEL IN THE SAME DIRECTION AS THE PUNCH.
- 7. FLAMMABILITY RATING: UL94 V-0



**RECOMMENDED PANEL CUT-OUT**  
 (ALL DIMENSIONS ±0.15)



**(1-2) PANEL CUT-OUT**  
 (ALL DIMENSIONS ±0.15)

DIM C	DIM B	DIM A	KEYING	POSITIONS	PART NUMBER
22.85	30.73	22.52	KEY C	1*4	3-2378158-4
22.85	30.73	22.52	KEY B	1*4	2-2378158-4
22.85	30.73	22.52	KEY A	1*4	1-2378158-4
17.85	25.73	17.52	KEY C	1*3	3-2378158-3
17.85	25.73	17.52	KEY B	1*3	2-2378158-3
17.85	25.73	17.52	KEY A	1*3	1-2378158-3
12.85	20.73	12.52	KEY I	1*2	9-2378158-2
12.85	20.73	12.52	KEY H	1*2	8-2378158-2
12.85	20.73	12.52	KEY G	1*2	7-2378158-2
12.85	20.73	12.52	KEY F	1*2	6-2378158-2
12.85	20.73	12.52	KEY E	1*2	5-2378158-2
12.85	20.73	12.52	KEY D	1*2	4-2378158-2
12.85	20.73	12.52	KEY C	1*2	3-2378158-2
12.85	20.73	12.52	KEY B	1*2	2-2378158-2
12.85	20.73	12.52	KEY A	1*2	1-2378158-2

THIS DRAWING IS A CONTROLLED DOCUMENT. OWN: B. WEAVER 17AUG2020  
 CHK: D. SWARTZ 17AUG2020  
 APVD: V. SHETTAR 17AUG2020

DIMENSIONS: mm  
 TOLERANCES UNLESS OTHERWISE SPECIFIED:  
 0 PLC ±  
 1 PLC ±0.35  
 2 PLC ±0.25  
 3 PLC ±  
 4 PLC ±  
 ANGLES FINISH ±

MATERIAL: PBT GF

NAME: CAP HOUSING, PANEL MOUNT, POWER VERSA-LOCK  
 PRODUCT SPEC: 108-143081  
 APPLICATION SPEC: 114-143082  
 WEIGHT: -  
 CUSTOMER DRAWING

SIZE: A1  
 CAGE CODE: 00779  
 DRAWING NO: C=2378158  
 RESTRICTED TO: -

SCALE: 4:1 SHEET 1 OF 1 REV A