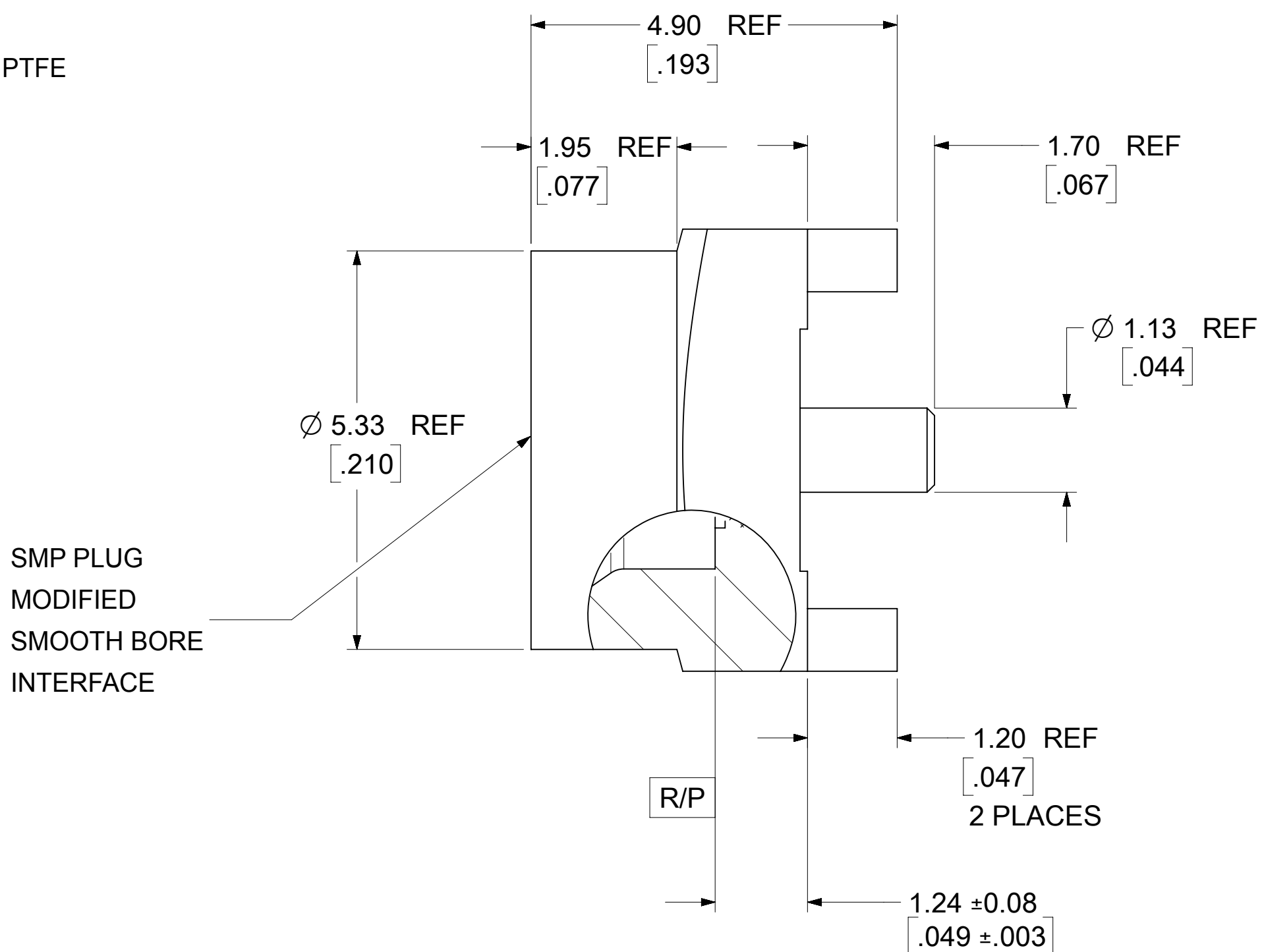
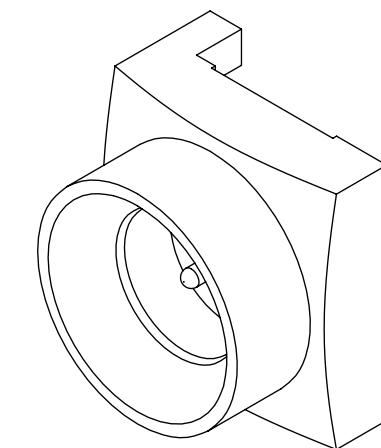


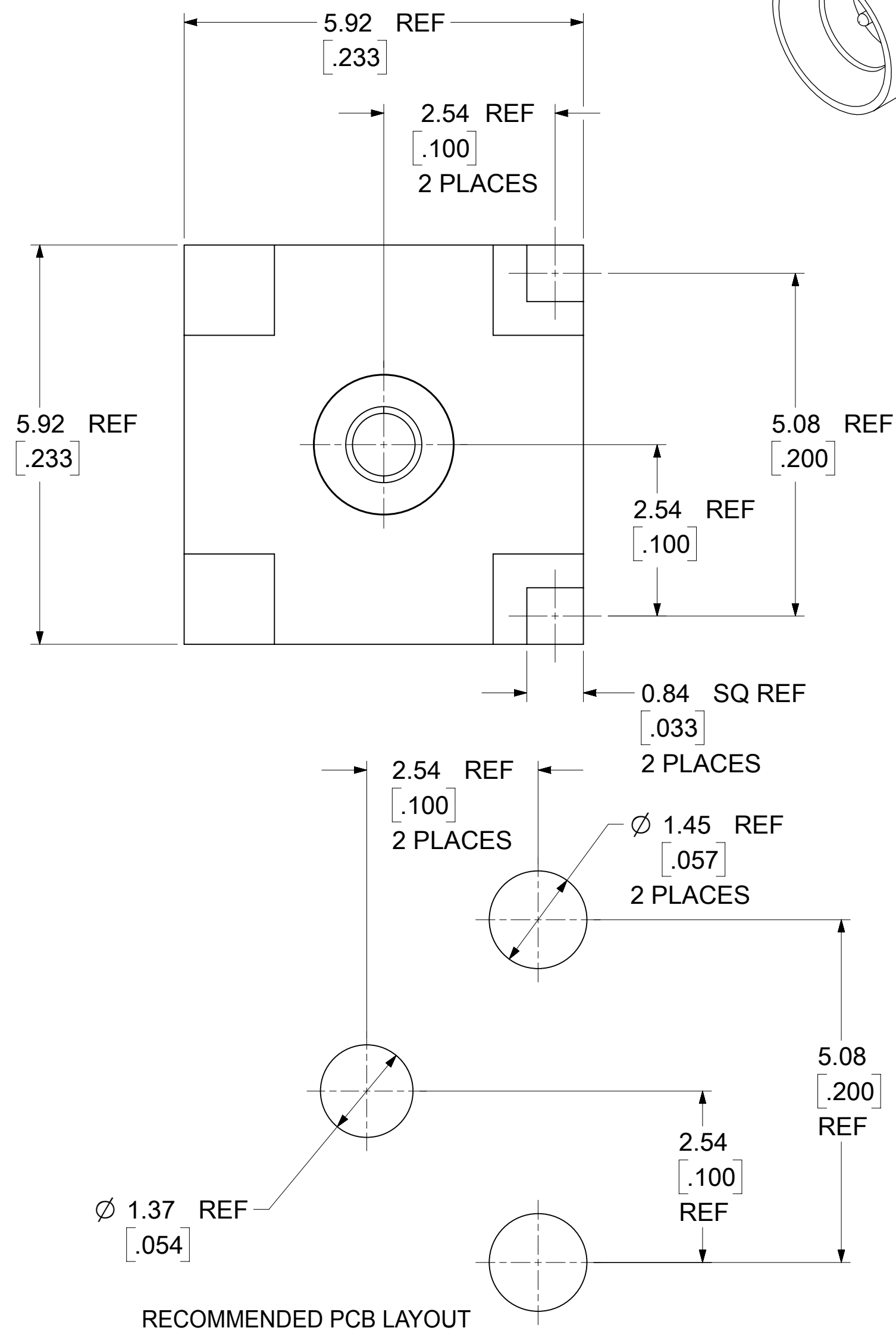
MATERIALS AND FINISHES:

BODY, CONTACT: BRASS
 PLATED: GOLD (30μ-in MIN)
 OVER NICKEL (100μ-in MIN)

INSULATOR: PTFE



SMP PLUG
 MODIFIED
 SMOOTH BORE
 INTERFACE



RECOMMENDED PCB LAYOUT

73415-5731	ONE PER BAG	895420470
73415-5730	TRAY	895420040
PART #	PACKAGING	PACKING SPEC

PS-89675-3320	PRODUCT SPECIFICATION
MIL-STD-348B, FIG. 326.5	INTERFACE
SPECIFICATION	DESCRIPTION

FUNCTIONAL SYMBOLS	THIS DRAWING CONTAINS INFORMATION THAT IS PROPRIETARY TO MOLEX ELECTRONIC TECHNOLOGIES, LLC AND SHOULD NOT BE USED WITHOUT WRITTEN PERMISSION						
	DIMENSION UNITS	SCALE	CURRENT REV DESC:				
$\nabla_A = 0$	MM/INCH	NTS	EWR # 15321-E ADDED -5731 PART NO				
$\nabla_C = 0$	GENERAL TOLERANCES (UNLESS SPECIFIED)		EC NO: 718007				
$\nabla_P = 0$	ANGULAR TOL ± 2.0°		DRWN: JSU18 2022/08/11				
DIVISIONAL SYMBOLS	4 PLACES ±		CHK'D: YCHENG 2022/08/24				
	3 PLACES ±		APPR: YCHENG 2022/08/24				
	2 PLACES ± 0.25		INITIAL REVISION:				
	1 PLACE ±		DRWN: TFLAHERTY 2005/12/19				
0 PLACES ±		APPR: JWIENER 2005/12/19	DOCUMENT NUMBER				
DRAFT WHERE APPLICABLE MUST REMAIN WITHIN DIMENSIONS		THIRD ANGLE PROJECTION	DRAWING	SERIES	MATERIAL NUMBER	CUSTOMER	SHEET NUMBER
			C-SIZE	73415		GENERAL MARKET	1 OF 1

molex

SMP PLUG, MODIFIED
 INTERFACE, 50 OHMS, PCB EWR-2975 SMP-PC

PRODUCT CUSTOMER DRAWING

SD-73415-573

PSD 001 A2