

## General Specifications

### Motor Protection:

Auto Restart/Polarity Protection

### Insulation Resistance:

10M Ω or over with a DC500V Megger

### Dielectric Withstand Voltage:

AC 700V 1s or AC 500V 1min

### Allowable Ambient Temperature Range:

-10°C ~ +70°C (Operating)

-40°C ~ +70°C (Storage)

(non-condensing environment)

## Expected Life

### Failure Rate: 10%

60°C 40,000 Hours (AA/EA)

## Material

Casing : Plastic (Black) UL94V-0

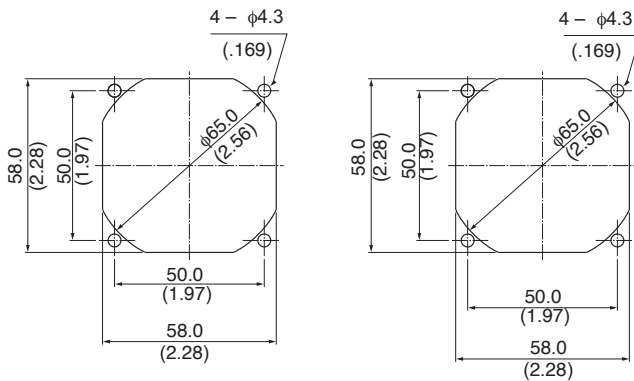
Impeller : Plastic (Black) UL94V-0

Bearing : Ball Bearing

Lead Wire : UL3385, AWG26, +Red, -Black

## Panel Cut-Outs

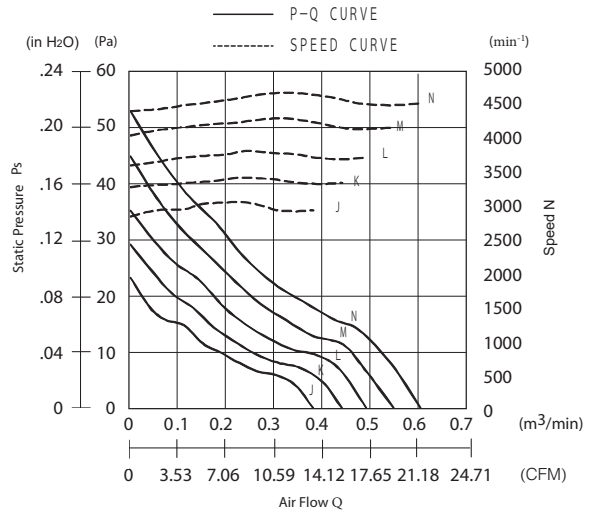
Units: mm (inch)



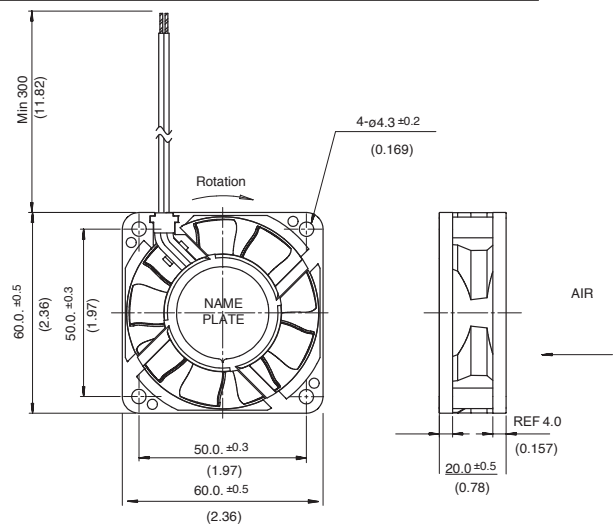
INLET SIDE

OUTLET SIDE

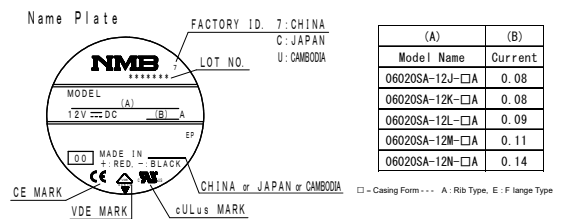
## Characteristic Curves



## Outline



\*\*\*Outline is A (Rib) Type



## Specifications

□ = Casing Form --- A: Rib Type, E: Flange Type

MODEL	Rated Voltage	Operating Voltage	Current	Input Power	Speed	Max. Air Flow		Max. Static Pressure		Noise	Mass
	(V)	(V)	(A)*1	(W)*1	(min <sup>-1</sup> )*1	(CFM)	(m <sup>3</sup> /min)	(in H <sub>2</sub> O)	(Pa)	(dB)*1	(g)
06020SA-12J-□A-00	12	6.0 ~ 13.8	0.05	0.60	2800	12.71	0.36	0.09	21.2	21.5	56
06020SA-12K-□A-00	12	6.0 ~ 13.8	0.05	0.60	3200	14.48	0.41	0.11	27.6	23.5	56
06020SA-12L-□A-00	12	6.0 ~ 13.8	0.06	0.72	3600	16.60	0.47	0.14	34.7	26.0	56
06020SA-12M-□A-00	12	6.0 ~ 13.8	0.08	0.96	4000	18.36	0.52	0.17	42.6	28.5	56
06020SA-12N-□A-00	12	6.0 ~ 13.8	0.09	1.08	4400	20.48	0.58	0.21	52.1	30.5	56

\*1: Average Values in Free Air

Note: PWM/Locked Rotor/Tach Available