

Quasi-Resonant Topology Primary Switching Regulators

Features and Benefits

- Quasi-resonant topology IC \Rightarrow Low EMI noise and soft switching
- Bottom-skip operation \Rightarrow Improved system efficiency over the entire output load by avoiding increase of switching frequency
- Standby burst mode operation \Rightarrow Lowers input power at very light output load condition
- Avalanche-guaranteed MOSFET \Rightarrow Improves system-level reliability and does not require V_{DS} derating
- 800 V / 1.8 Ω , 52 to 110 W (Universal/230 VAC input)

Continued on the next page...

Package: 6-pin TO-220



Description

The STR-W6765 is a quasi-resonant topology IC designed for SMPS applications. It shows lower EMI noise characteristics than conventional PWM solutions, especially at greater than 2 MHz. It also provides a soft-switching mode to turn on the internal MOSFET at close to zero voltage (V_{DS} bottom point) by use of the resonant characteristic of primary inductance and a resonant capacitor.

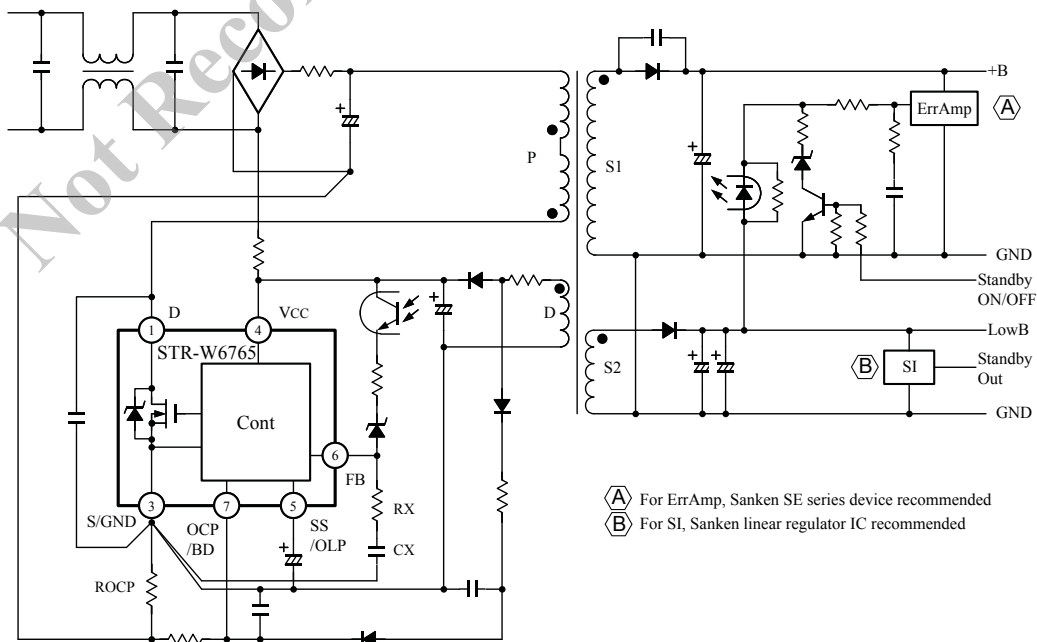
The package is a fully molded TO-220, which contains the controller chip (MIC) and MOSFET, enabling output power up to 52 W with universal input or 110 W with a 230 VAC input. The bottom-skip mode skips the first bottom of V_{DS} and turns on the MOSFET at the second bottom point, to minimize an increase of operating frequency at light output load, improving system-level efficiency over the entire load range.

There are two standby modes available to reduce the input power under very light load conditions. The first is auto-burst mode operation that is internally triggered by periodic sensing, and the other is a manual standby mode, which is executed by clamping the secondary output. In general applications, the manual standby mode reduces the input power further compared to auto-burst mode.

The soft-start mode minimizes surge voltage and reduces power stress to the MOSFET and to the secondary rectifying

Continued on the next page...

Typical Application



- (A) For ErrAmp, SanKen SE series device recommended
- (B) For S1, SanKen linear regulator IC recommended

Features and Benefits (continued)

- Various protections ⇒ Improved system-level reliability
 - Pulse-by-pulse drain overcurrent limiting
 - Overvoltage protection (bias winding voltage sensing), with latch
 - Overload protection with latch
 - Maximum on-time limit

Description (continued)

diodes during the start-up sequence. Various protections such as overvoltage, overload, overcurrent, maximum on-time protections and avalanche-energy-guaranteed MOSFET secure good system-level reliability.

Applications include the following:

- Set Top Box
- LCD PC monitor, LCD TV
- Printer, Scanner
- SMPS power supplies

Selection Guide

Part Number	Package	Packing
STR-W6765	TO-220	Bulk, 100 pieces

Absolute Maximum Ratings at $T_A = 25^\circ\text{C}$

Parameter	Symbol	Terminal	Conditions	Rating	Unit
Drain Current ¹	I_{Dpeak}	1 - 3	Single pulse	11.2	A
Maximum Switching Current ²	I_{Dmax}	1 - 3	$T_A = -20^\circ\text{C}$ to 125°C	11.2	A
Single Pulse Avalanche Energy ³	E_{AS}	1 - 3	Single pulse, $V_{DD} = 99\text{ V}$, $L = 20\text{ mH}$, $I_{Lpeak} = 5.8\text{ A}$	300	mJ
Input Voltage for Controller (MIC)	V_{CC}	4 - 3		35	V
SS/OLP Terminal Voltage	V_{SSOLP}	5 - 3		-0.5 to 6.0	V
FB Terminal Inflow Current	I_{FB}	6 - 3		10	mA
FB Terminal Voltage	V_{FB}	6 - 3	I_{FB} within the limits of I_{FB}	-0.5 to 9.0	V
OCP/BD Terminal Voltage	V_{OCPBD}	7 - 3		-1.5 to 5.0	V
MOSFET Power Dissipation ⁴	P_{D1}	1 - 3	With infinite heatsink	28.7	W
			Without heatsink	1.3	W
Controller (MIC) Power Dissipation	P_{D2}	4 - 3	$V_{CC} \times I_{CC}$	0.8	W
Operating Internal Leadframe Temperature	T_F	-	Refer to T_{OP}	-20 to 115	$^\circ\text{C}$
Operating Ambient Temperature	T_{OP}	-		-20 to 115	$^\circ\text{C}$
Storage Temperature	T_{stg}	-		-40 to 125	$^\circ\text{C}$
Channel Temperature	T_{ch}	-		150	$^\circ\text{C}$

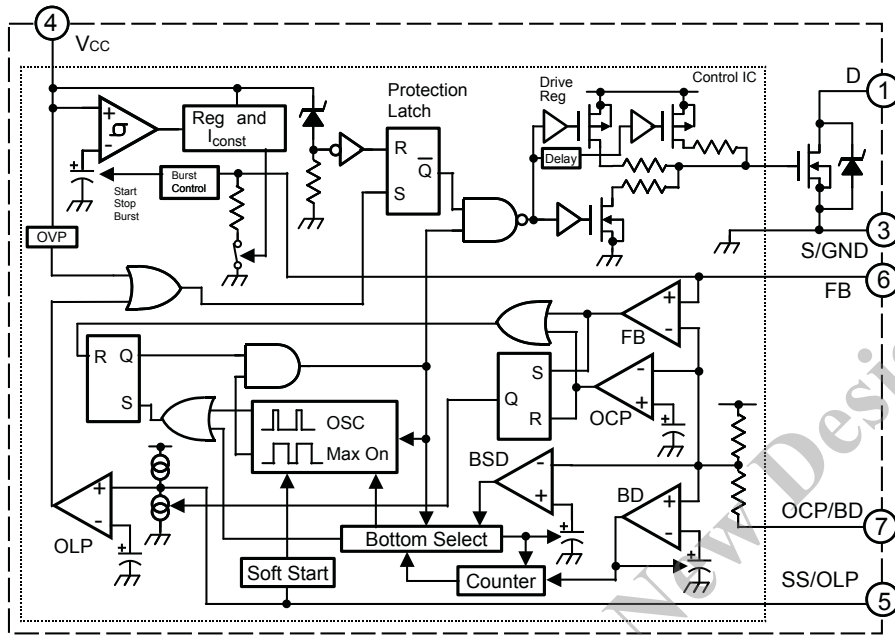
¹Refer to figure 2

² I_{Dmax} is the drain current determined by the drive voltage of the IC and the threshold voltage, V_{th} , of the MOSFET

³Refer to figure 3

⁴Refer to figure 5

All performance characteristics given are typical values for circuit or system baseline design only and are at the nominal operating voltage and an ambient temperature of $+25^\circ\text{C}$, unless otherwise stated.



Terminal List Table

Number	Name	Description	Functions
1	D	Drain	MOSFET drain
2	NC	Clipped	No connection
3	S/GND	Source/ground terminal	MOSFET source and ground
4	VCC	Power supply terminal	Input of power supply for control circuit
5	SS/OLP	Soft Start/Overload Protection terminal	Input to set delay for Overload protection and Soft Start operation
6	FB	Feedback terminal	Input for Constant Voltage Control and Burst (intermittent) Mode oscillation control signals
7	OCP/BD	Overcurrent Protection/Bottom Detection	Input for overcurrent detection and bottom detection signals

Figure 1 – MOSFET Safe Operating Area Derating Curve

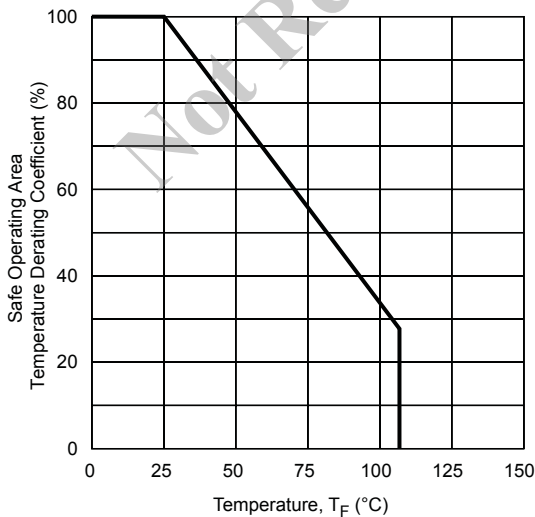


Figure 2 – MOSFET Safe Operating Area Drain Current versus Voltage at T_A = 25°C, Single Pulse

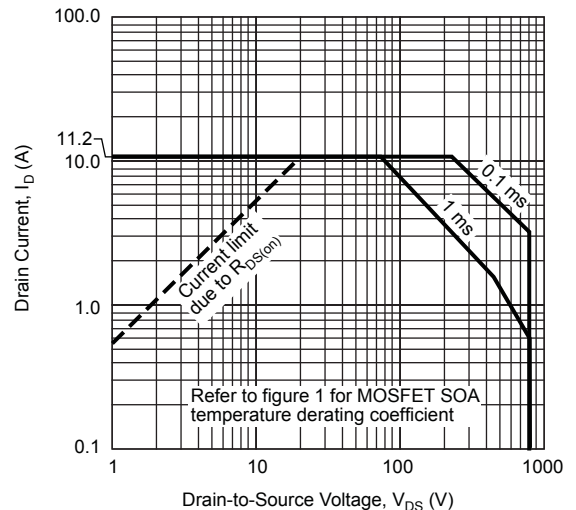


Figure 3 – MOSFET Avalanche Energy Derating Curve

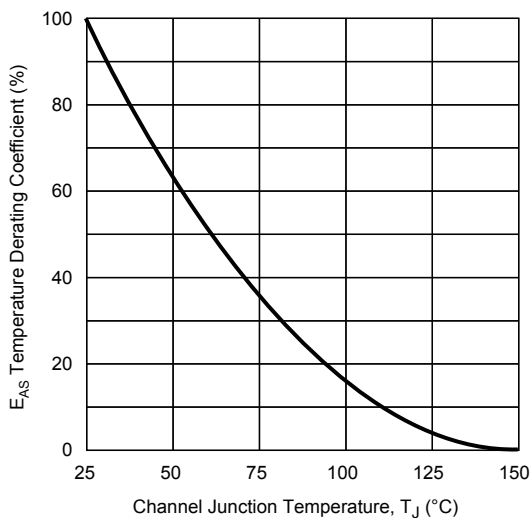


Figure 4 – Transient Thermal Resistance

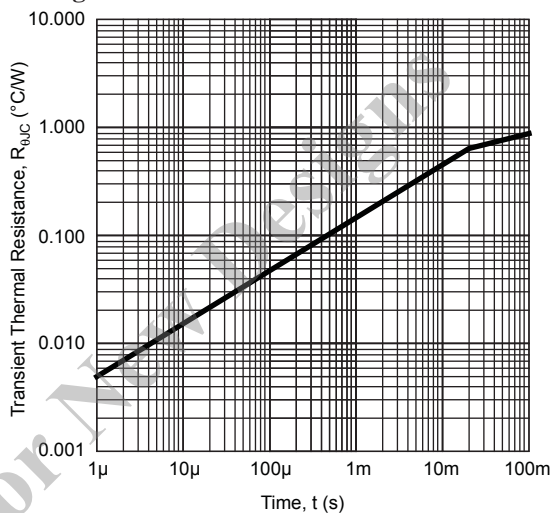
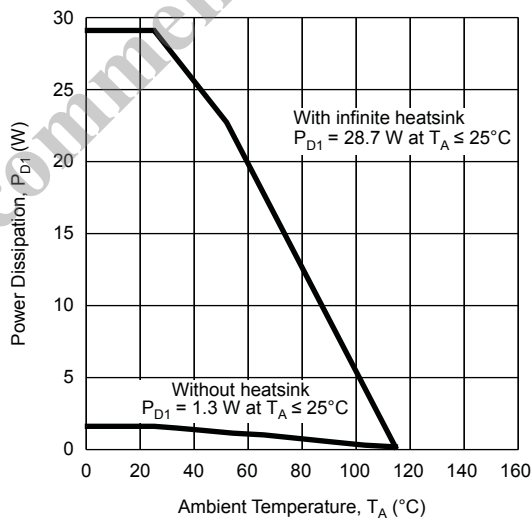


Figure 5 – MOSFET Power Dissipation versus Temperature



ELECTRICAL CHARACTERISTICS

Characteristic	Symbol	Terminals	Min.	Typ.	Max.	Units
ELECTRICAL CHARACTERISTICS for Controller (MIC)¹ , valid at $T_A = 25^\circ\text{C}$, $V_{CC} = 20\text{ V}$, unless otherwise specified						
Power Supply Start-up Operation						
Operation Start Voltage	$V_{CC(ON)}$	4 - 3	16.3	18.2	19.9	V
Operation Stop Voltage	$V_{CC(OFF)}$	4 - 3	8.8	9.7	10.6	V
Circuit Current In Operation	$I_{CC(ON)}$	4 - 3	–	–	6	mA
Circuit Current In Non-Operation	$I_{CC(OFF)}$	4 - 3	–	–	100	μA
Oscillation Frequency	f_{osc}	1 - 3	19	22	25	kHz
Soft Start Operation Stop Voltage	$V_{SSOLP(SS)}$	5 - 3	1.1	1.2	1.4	V
Soft Start Operation Charging Current	$I_{SSOLP(SS)}$	5 - 3	–710	–550	–390	μA
Normal Operation						
Bottom-Skip Operation Threshold Voltage 1	$V_{OCPBD(BS1)}$	7 - 3	–0.720	–0.665	–0.605	V
Bottom-Skip Operation Threshold Voltage 2	$V_{OCPBD(BS2)}$	7 - 3	–0.485	–0.435	–0.385	V
Overcurrent Detection Threshold Voltage	$V_{OCPBD(LIM)}$	7 - 3	–0.995	–0.940	–0.895	V
OCP/BDOCP/BD Terminal Outflow Current	I_{OCPBD}	7 - 3	–250	–100	–40	μA
Quasi-Resonant Operation Threshold Voltage 1	$V_{OCPBD(TH1)}$	7 - 3	0.28	0.40	0.52	V
Quasi-Resonant Operation Threshold Voltage 2	$V_{OCPBD(TH2)}$	7 - 3	0.67	0.80	0.93	V
FB Terminal Threshold Voltage	$V_{FB(OFF)}$	6 - 3	1.32	1.45	1.58	V
FB Terminal Inflow Current (Normal Operation)	$I_{FB(ON)}$	6 - 3	600	1000	1400	μA
Standby Operation						
Standby Operation Start Voltage	$V_{CC(S)}$	4 - 3	10.3	11.1	12.1	V
Standby Operation Start Voltage Interval	$V_{CC(SK)}$	4 - 3	1.10	1.35	1.65	V
Standby Non-Operation Circuit Current	$I_{CC(S)}$	4 - 3	–	20	56	μA
FB Terminal Inflow Current, Standby Operation	$I_{FB(S)}$	6 - 3	–	4	14	μA
FB Terminal Threshold Voltage, Standby Operation	$V_{FB(S)}$	6 - 3	0.55	1.10	1.50	V
Minimum On Time	$t_{ON(MIN)}$	1 - 3	0.40	0.82	1.25	μs
Maximum On Time	$t_{ON(MAX)}$	1 - 3	27.5	32.5	39.0	μs
Protection Operation						
Overload Protection Operation Threshold Voltage	$V_{SSOLP(OLP)}$	5 - 3	4.0	4.9	5.8	V
Overload Protection Operation Charging Current	$I_{SSOLP(OLP)}$	5 - 3	–16	–11	–6	μA
Overvoltage Protection Operation Voltage	$V_{CC(OVP)}$	4 - 3	25.5	27.7	29.9	V
Latch Circuit Holding Current ²	$I_{CC(H)}$	4 - 3	–	45	140	μA
Latch Circuit Release Voltage ²	$V_{CC(La.OFF)}$	4 - 3	6.0	7.2	8.5	V
ELECTRICAL CHARACTERISTICS for MOSFET , valid at $T_A = 25^\circ\text{C}$, unless otherwise specified						
Drain-to-Source Breakdown Voltage	V_{DSS}	1 - 3	800	–	–	V
Drain Leakage Current	I_{DSS}	1 - 3	–	–	300	μA
On Resistance	$R_{DS(on)}$	1 - 3	–	–	1.8	Ω
Switching Time	t_f	1 - 3	–	–	400	ns
Thermal Resistance	$R_{\theta JA}$	Junction to Internal Frame	–	–	1.55	$^\circ\text{C/W}$

¹Current polarity with respect to the IC: positive current indicates current sink at the terminal named, negative current indicates source at the terminal named.

²Latch circuit refers to operation during Overload Protection or Overvoltage Protection.

ELECTRICAL CHARACTERISTICS Test Conditions*

Parameter	Test Conditions	V _{CC} (V)	Measurement Circuit
Operation Start Voltage	V _{CC} voltage at which oscillation starts.	0→20	1
Operation Stop Voltage	V _{CC} voltage at which oscillation stops.	20→8.8	
Circuit Current In Operation	Inflow current flowing into power supply terminal in oscillation.	20	
Circuit Current In Non-operation	Inflow current flowing into power supply terminal prior to oscillation.	15	
Oscillation Frequency	Oscillating frequency ($f_{osc} = 1 / T$).	20	5
Soft Start Operation Stop Voltage	SS/OLP terminal voltage at which ISS/OLP reach $\geq -100 \mu\text{A}$ by raising the SS/OLP terminal voltage from 0 V gradually.	20	
Soft Start Operation Charging Current	SS/OLP terminal charging current (SS/OLP terminal voltage = 0 V).		3
Bottom-Skip Operation Threshold Voltage 1	Input 1 μs pulse width, as shown in waveform 1, to OCP/BD terminal twice after V ₁₋₃ rises. After that, offset the input waveform gradually from 0 V in the minus direction. Measurement of the offset voltage V _{OCPBD(BS1)} is taken when the V ₁₋₃ start-to-fall point switches from two-pulses-after to one-pulse-after.	20	
Bottom-Skip Operation Threshold Voltage 2	After measuring V _{OCPBD(BS1)} , as shown in waveform 2, offset the input waveform gradually. Measurement of the offset voltage V _{OCPBD(BS2)} is taken when the V ₁₋₃ start-to-fall point switches from two-pulses-after to one-pulse-after.		
Overcurrent Detection Threshold Voltage	OCP/BD terminal voltage at which oscillation stops by lowering the OCP/BD terminal voltage from 0 V gradually.	20	2
OCP/BDOCP/BD Terminal Outflow Current	OCP/BD terminal outflow current (OCP/BD terminal voltage = -0.95 V).		
Quasi-Resonant Operation Threshold Voltage 1	OCP/BD terminal voltage at which oscillation starts with setting the OCP/BD terminal voltage at 1 V, and then lowering the voltage gradually.		
Quasi-Resonant Operation Threshold Voltage 2	OCP/BD terminal voltage at which oscillation stops by raising the OCP/BD terminal voltage from 0 V gradually.		4
FB Terminal Threshold Voltage	FB terminal voltage at which oscillation stops by raising the FB terminal voltage from 0 V gradually.	20	
FB Terminal Inflow Current (Normal Operation)	FB terminal inflow current (FB terminal voltage = 1.6 V).	20	4
Standby Operation Start Voltage	V _{CC} voltage at which I _{CC} reaches $\geq 1 \text{ mA}$ (FB terminal voltage = 1.6 V).	0→15	
Standby Operation Start Voltage Interval	Specified by $V_{CC(SK)} = V_{CC(S)} - V_{CC(OFF)}$.	-	
Standby Non-Operation Circuit Current	Inflow current flowing into power supply terminals prior to oscillation (FB terminal voltage = 1.6 V).	10.2	
FB Terminal Inflow Current, Standby Operation	FB terminal inflow current (FB terminal voltage = 1.6 V).	10.2	
FB Terminal Threshold Voltage Standby Operation	FB terminal voltage at which oscillation starts by raising the FB terminal voltage from 0 V gradually.	15	
Minimum On Time	Waveform between terminals 1 and 3 at low.	20	6
Maximum On Time	Waveform between terminals 1 and 3 at low.	20	1

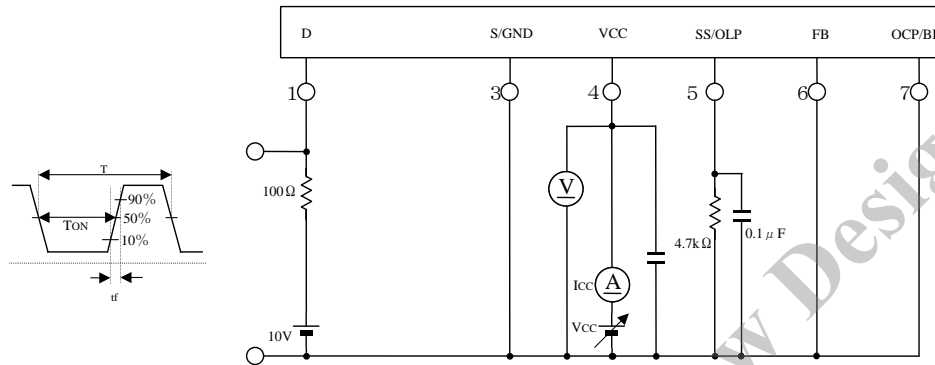
Continued on the next page...

ELECTRICAL CHARACTERISTICS Test Conditions*, continued

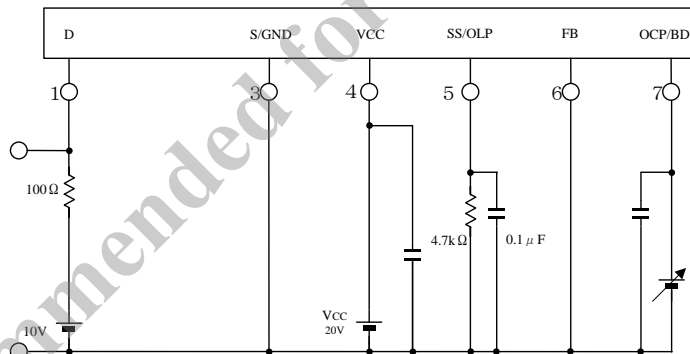
Parameter	Test Conditions	V _{CC} (V)	Measurement Circuit
Overload Protection Operation Threshold Voltage	SS/OLP terminal voltage at which oscillation stops.	20	5
Overload Protection Operation Charging Current	SS/OLP terminal charging current (SS/OLP terminal voltage = 2.5 V).	–	
Overvoltage Protection Operation Voltage	V _{CC} voltage at which oscillation stops.	0→30	1
Latch Circuit Holding Current	Inflow current at V _{CC(OFF)} – 0.3; after OVP operation.	V _{CC(OFF)} – 0.3	
Latch Circuit Release Voltage	V _{CC} voltage at which I _{CC} reaches 20 μA or lower by decreasing V _{CC} after OVP operation.	30→6	
Drain-to-Source Breakdown Voltage	I _{DSS} = 300 μA	–	7
Drain Leakage Current	V _{DSS} = 800 V	–	
Single Pulse Avalanche Energy	–	30	8
On-Resistance	I _{DS} = 1.4 A	20	9
Switching Time	–	20	1

*Oscillating operation is specified with a rectangular waveform between terminals 1 and 3.

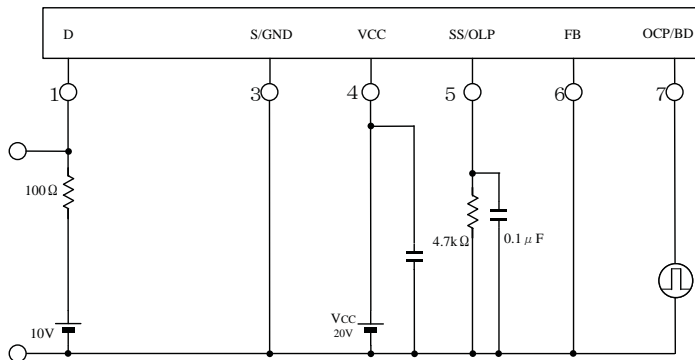
Measurement Circuit 1



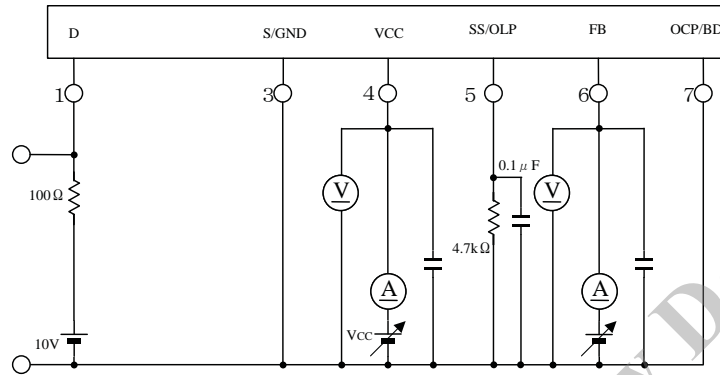
Measurement Circuit 2



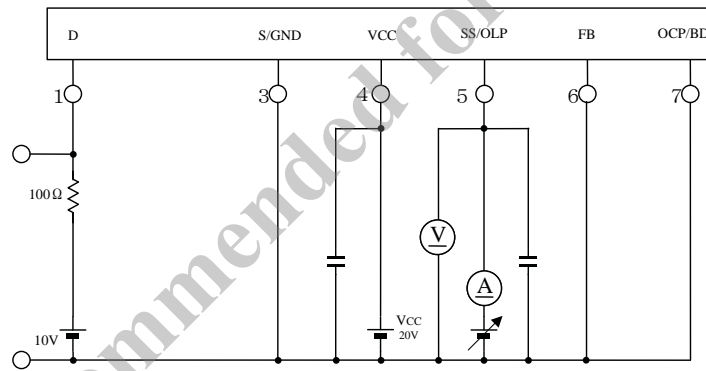
Measurement Circuit 3



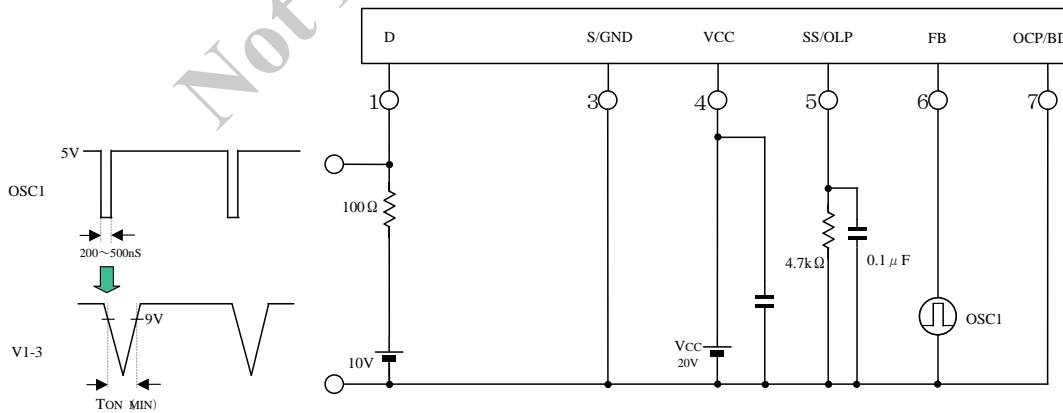
Measurement Circuit 4



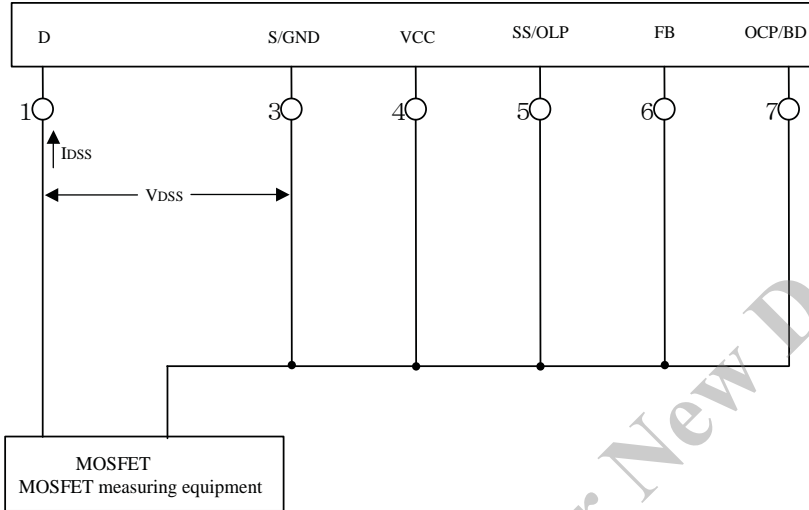
Measurement Circuit 5



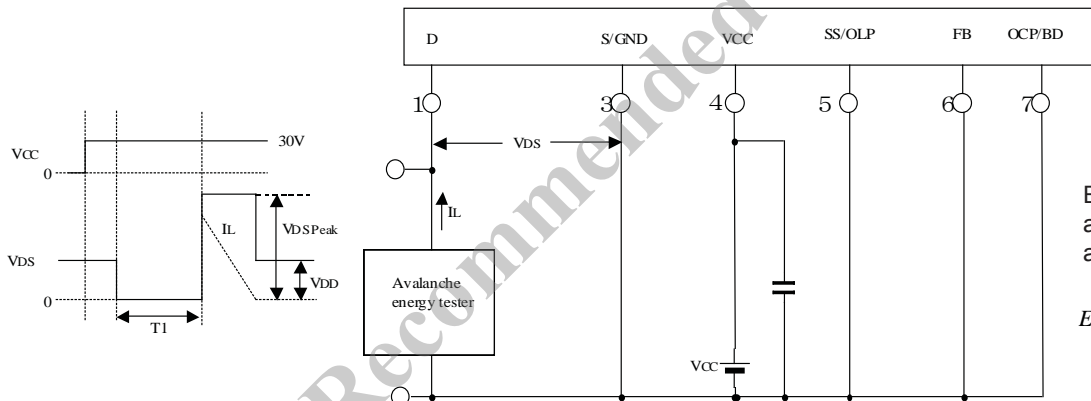
Measurement Circuit 6



Measurement Circuit 7



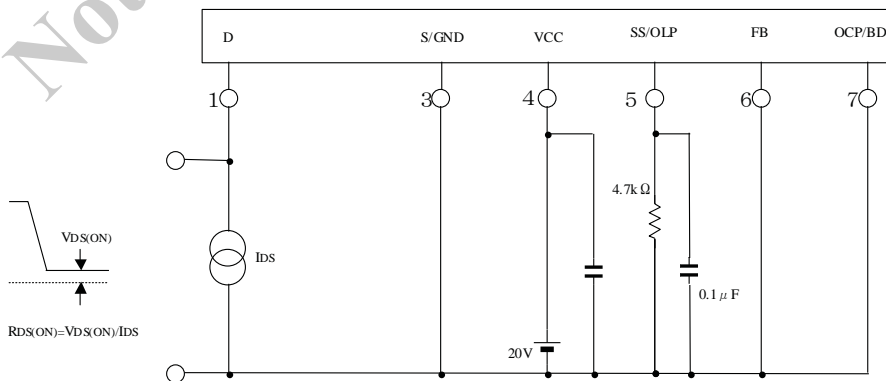
Measurement Circuit 8



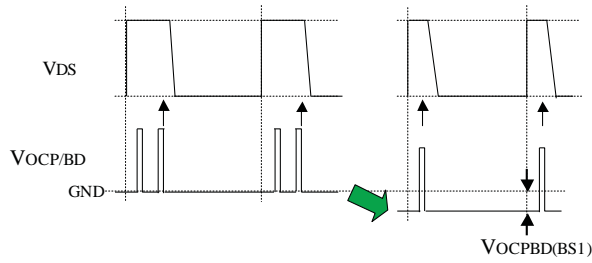
Equation for calculation of avalanche energy, E_{AS} ; to be adjusted for $I_{LPeak} = 5.8 A$

$$E_{AS} = \frac{1}{2} \cdot L \cdot (I_{LPeak})^2 \cdot \frac{V_{DSPeak}}{V_{DSPeak} - V_{DD}}$$

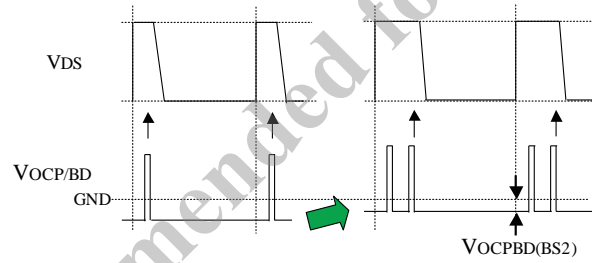
Measurement Circuit 9



Waveform 1

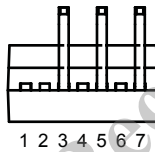
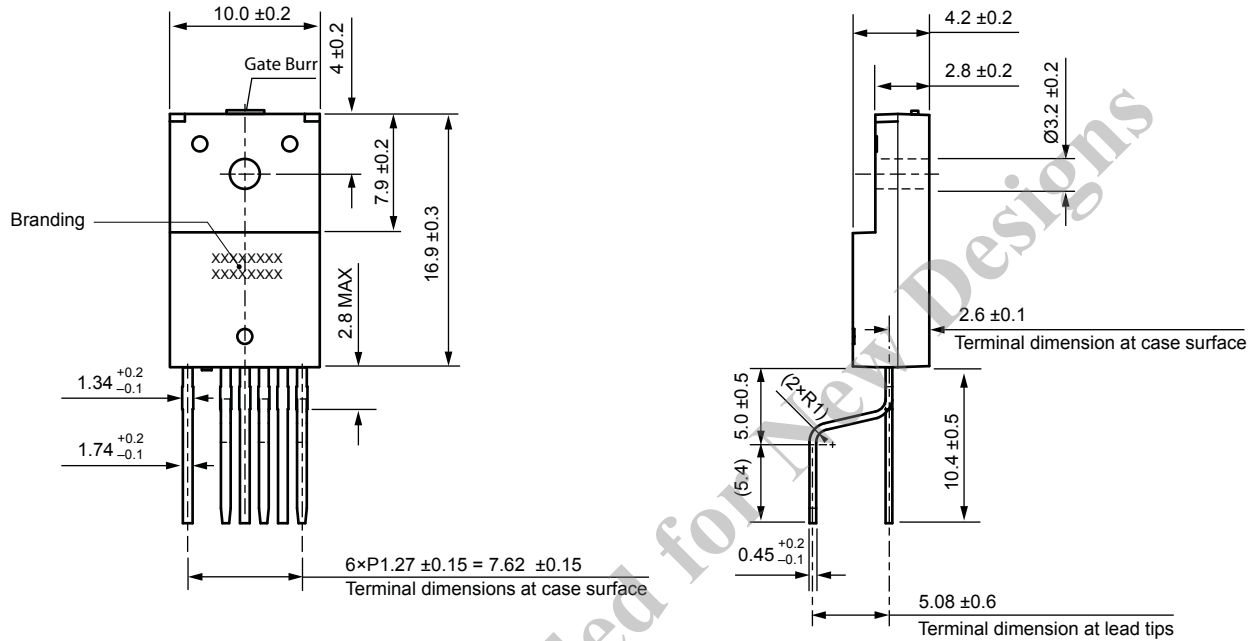


Waveform 2



Not Recommended for New Designs

PACKAGE DIMENSIONS, TO-220



Gate burr: 0.3 mm (max.)
 Terminal core material: Cu
 Terminal treatment: Ni plating and solder dip
 Heat sink material: Cu
 Heat sink treatment: Ni plating
 Leadform: 2003
 Weight (approximate): 2.3 g

Dimensions in millimeters

Drawing for reference only
 Branding codes (exact appearance at manufacturer discretion):
 1st line, type: W6765
 2nd line, lot: YMDD R
 Where: Y is the last digit of the year of manufacture
 M is the month (1 to 9, O, N, D)
 DD is the 2-digit date
 R is the manufacturer registration symbol

Because reliability can be affected adversely by improper storage environments and handling methods, please observe the following cautions.

Cautions for Storage

- Ensure that storage conditions comply with the standard temperature (5°C to 35°C) and the standard relative humidity (around 40% to 75%); avoid storage locations that experience extreme changes in temperature or humidity.
- Avoid locations where dust or harmful gases are present and avoid direct sunlight.
- Reinspect for rust on leads and solderability of the products that have been stored for a long time.

Cautions for Testing and Handling

When tests are carried out during inspection testing and other standard test periods, protect the products from power surges from the testing device, shorts between the product pins, and wrong connections. Ensure all test parameters are within the ratings specified by Sanken for the products.

Remarks About Using Silicone Grease with a Heatsink

- When silicone grease is used in mounting the products on a heatsink, it shall be applied evenly and thinly. If more silicone grease than required is applied, it may produce excess stress.
- Volatile-type silicone greases may crack after long periods of time, resulting in reduced heat radiation effect. Silicone greases with low consistency (hard grease) may cause cracks in the mold resin when screwing the products to a heatsink.

Our recommended silicone greases for heat radiation purposes, which will not cause any adverse effect on the product life, are indicated below:

Type	Suppliers
G746	Shin-Etsu Chemical Co., Ltd.
YG6260	Momentive Performance Materials Inc.
SC102	Dow Corning Toray Co., Ltd.

Cautions for Mounting to a Heatsink

- When the flatness around the screw hole is insufficient, such as when mounting the products to a heatsink that has an extruded (burred) screw hole, the products can be damaged, even with a lower than recommended screw torque. For mounting the products, the mounting surface flatness should be 0.05 mm or less.

- Please select suitable screws for the product shape. Do not use a flat-head machine screw because of the stress to the products. Self-tapping screws are not recommended. When using self-tapping screws, the screw may enter the hole diagonally, not vertically, depending on the conditions of hole before threading or the work situation. That may stress the products and may cause failures.
- Recommended screw torque: 0.588 to 0.785 N•m (6 to 8 kgf•cm).
- For tightening screws, if a tightening tool (such as a driver) hits the products, the package may crack, and internal stress fractures may occur, which shorten the lifetime of the electrical elements and can cause catastrophic failure. Tightening with an air driver makes a substantial impact. In addition, a screw torque higher than the set torque can be applied and the package may be damaged. Therefore, an electric driver is recommended.

When the package is tightened at two or more places, first pre-tighten with a lower torque at all places, then tighten with the specified torque. When using a power driver, torque control is mandatory.

Soldering

- When soldering the products, please be sure to minimize the working time, within the following limits:
260±5°C 10±1 s (Flow, 2 times)
380±10°C 3.5±0.5 s (Soldering iron, 1 time)
- Soldering should be at a distance of at least 2.0 mm from the body of the products.

Electrostatic Discharge

- When handling the products, the operator must be grounded. Grounded wrist straps worn should have at least 1 MΩ of resistance from the operator to ground to prevent shock hazard, and it should be placed near the operator.
- Workbenches where the products are handled should be grounded and be provided with conductive table and floor mats.
- When using measuring equipment such as a curve tracer, the equipment should be grounded.
- When soldering the products, the head of soldering irons or the solder bath must be grounded in order to prevent leak voltages generated by them from being applied to the products.
- The products should always be stored and transported in Sanken shipping containers or conductive containers, or be wrapped in aluminum foil.

-
- The contents in this document are subject to changes, for improvement and other purposes, without notice. Make sure that this is the latest revision of the document before use.
 - Application and operation examples described in this document are quoted for the sole purpose of reference for the use of the products herein and Sanken can assume no responsibility for any infringement of industrial property rights, intellectual property rights or any other rights of Sanken or any third party which may result from its use.
 - Although Sanken undertakes to enhance the quality and reliability of its products, the occurrence of failure and defect of semiconductor products at a certain rate is inevitable. Users of Sanken products are requested to take, at their own risk, preventative measures including safety design of the equipment or systems against any possible injury, death, fires or damages to the society due to device failure or malfunction.
 - Sanken products listed in this document are designed and intended for the use as components in general purpose electronic equipment or apparatus (home appliances, office equipment, telecommunication equipment, measuring equipment, etc.).

When considering the use of Sanken products in the applications where higher reliability is required (transportation equipment and its control systems, traffic signal control systems or equipment, fire/crime alarm systems, various safety devices, etc.), and whenever long life expectancy is required even in general purpose electronic equipment or apparatus, please contact your nearest Sanken sales representative to discuss, prior to the use of the products herein.

The use of Sanken products without the written consent of Sanken in the applications where extremely high reliability is required (aerospace equipment, nuclear power control systems, life support systems, etc.) is strictly prohibited.

- In the case that you use Sanken products or design your products by using Sanken products, the reliability largely depends on the degree of derating to be made to the rated values. Derating may be interpreted as a case that an operation range is set by derating the load from each rated value or surge voltage or noise is considered for derating in order to assure or improve the reliability. In general, derating factors include electric stresses such as electric voltage, electric current, electric power etc., environmental stresses such as ambient temperature, humidity etc. and thermal stress caused due to self-heating of semiconductor products. For these stresses, instantaneous values, maximum values and minimum values must be taken into consideration.

In addition, it should be noted that since power devices or IC's including power devices have large self-heating value, the degree of derating of junction temperature affects the reliability significantly.

- When using the products specified herein by either (i) combining other products or materials therewith or (ii) physically, chemically or otherwise processing or treating the products, please duly consider all possible risks that may result from all such uses in advance and proceed therewith at your own responsibility.
- Anti radioactive ray design is not considered for the products listed herein.
- Sanken assumes no responsibility for any troubles, such as dropping products caused during transportation out of Sanken's distribution network.
- The contents in this document must not be transcribed or copied without Sanken's written consent.