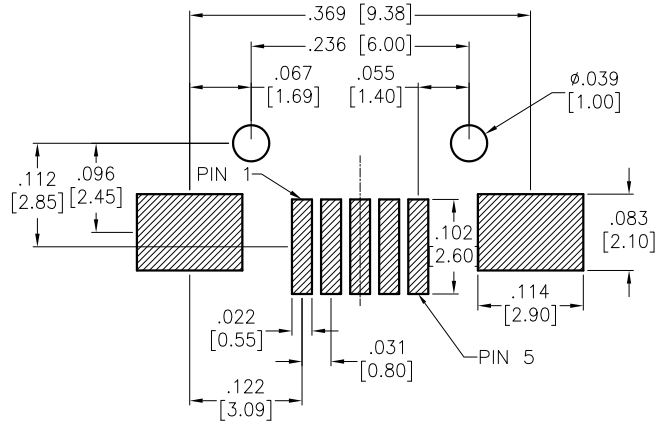
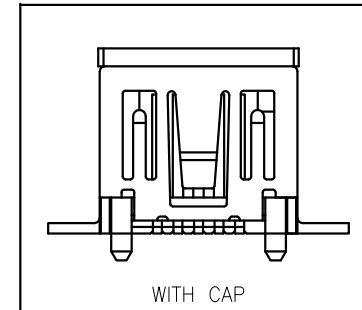
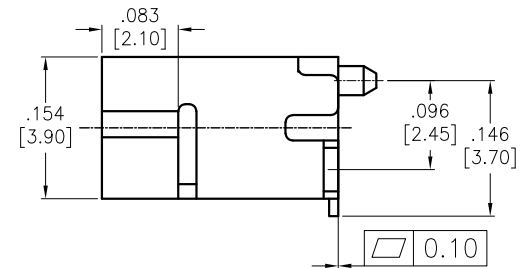
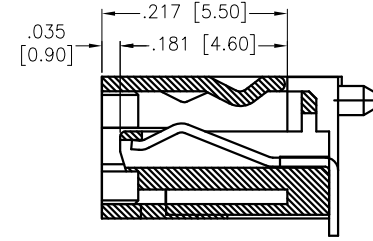
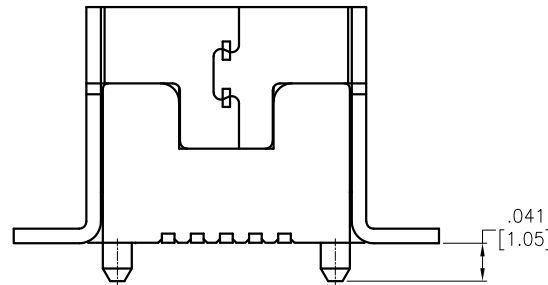
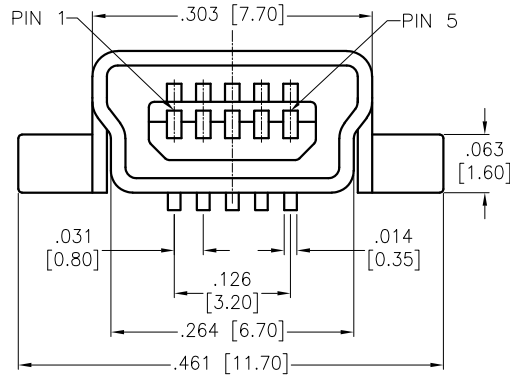
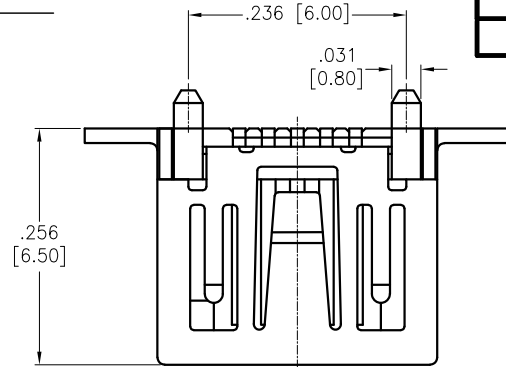


APPROVED: _____
 DATE: _____ TITLE: _____

Rev	AWO #	Description	Date	Appr
-		RELEASED	12/19/08	
A		UPDATE DRAWING	6/12/18	AY/LW
B		UPDATE SPEC.	12/3/20	OWEY



RECOMMENDED P.C.B LAYOUT



SPECIFICATIONS:

Material:
 Insulator: Hi-temp thermoplastic, rated UL 94V-0
 Insulator color: Black
 Contacts: Phosphor Bronze
 Shell: Brass, Nickel Plated

Plating:
 10u" Gold over Nickel underplate on contact area,
 Tin over Copper underplate on solder tails

Electrical:
 Voltage rating: 30V AC/DC
 Current Rating: 2A
 Contact resistance: 50 Mohms max
 Insulation resistance: 1,000 Mohms min @ 500 VDC
 Dielectric withstanding voltage: 500V AC for 1 minute
 Temperature Rating:
 Operating temperature: -20°C to +85°C
 Environmental:
 Lead free, RoHS compliant.



PACKAGED ON TAPE & REEL

UNLESS OTHERWISE SPECIFIED ALL DIMENSIONS ARE INCHES [MM] TOLERANCES: EXCEPT AS NOTED		 909 Rahway Avenue, Union, NJ 07083 Phone: 908-687-5000 Fax: 908-687-5710	
INCHES HOLES			
.X ± .10	Ø.X ± .10	TITLE MINI USB, TYPE B, 5PIN, VERTICAL, TRUE SMT	
.XX ± .020	Ø.XX ± .015		
.XXX ± .015	Ø.XXX ± .010		
APPROVALS		DATE	
DRAWN	DY	12/19/08	
CHECKED			
APPROVED			
SIZE	PART NO.	REV.	
X	MUSB-B5-S-VT-TSMT-T/R	B	
REF: S00009T	SCALE: NTS	SHEET 1 OF 1	