

Customer Information Sheet

DRAWING No.: M80-772XXXXR

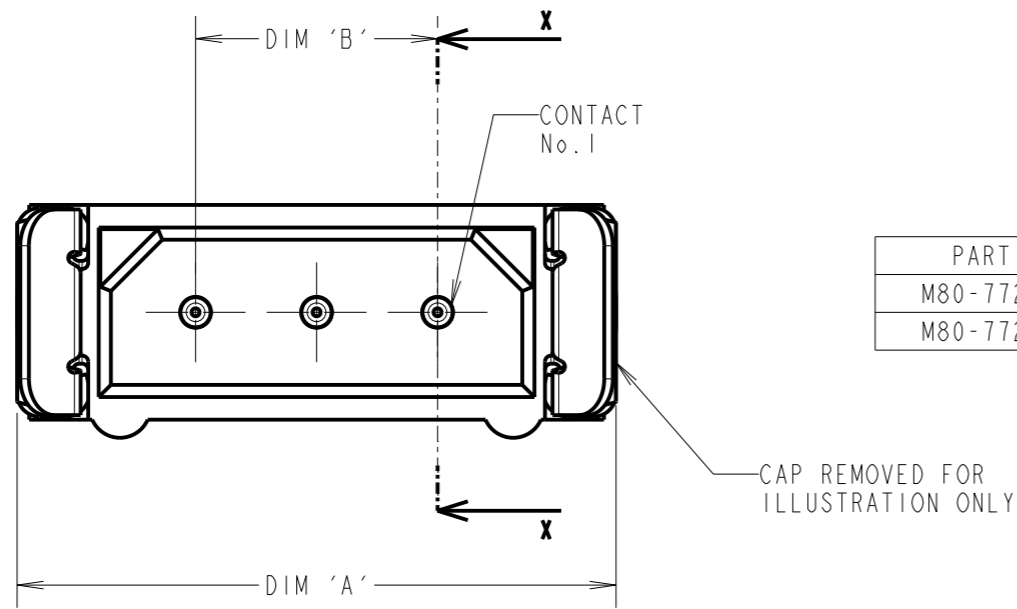
IF IN DOUBT - ASK

©

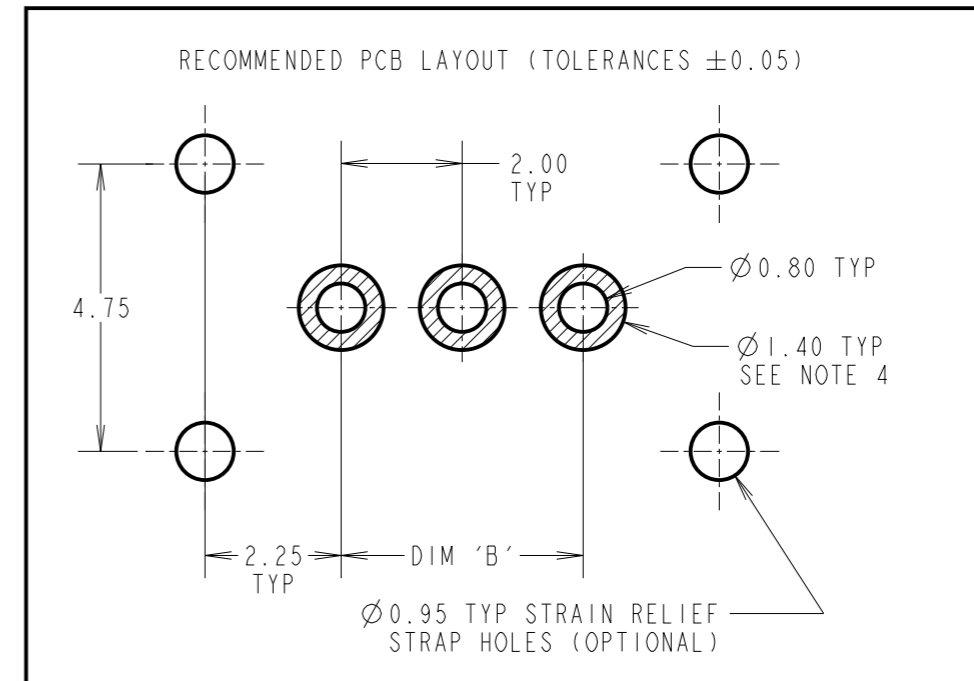
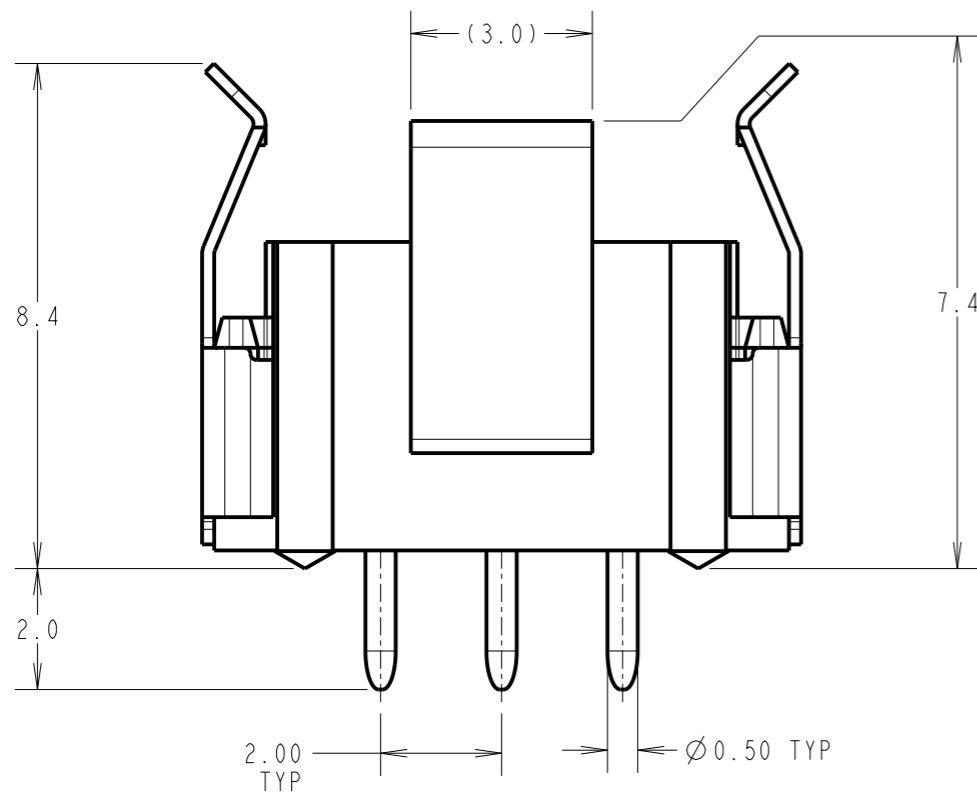
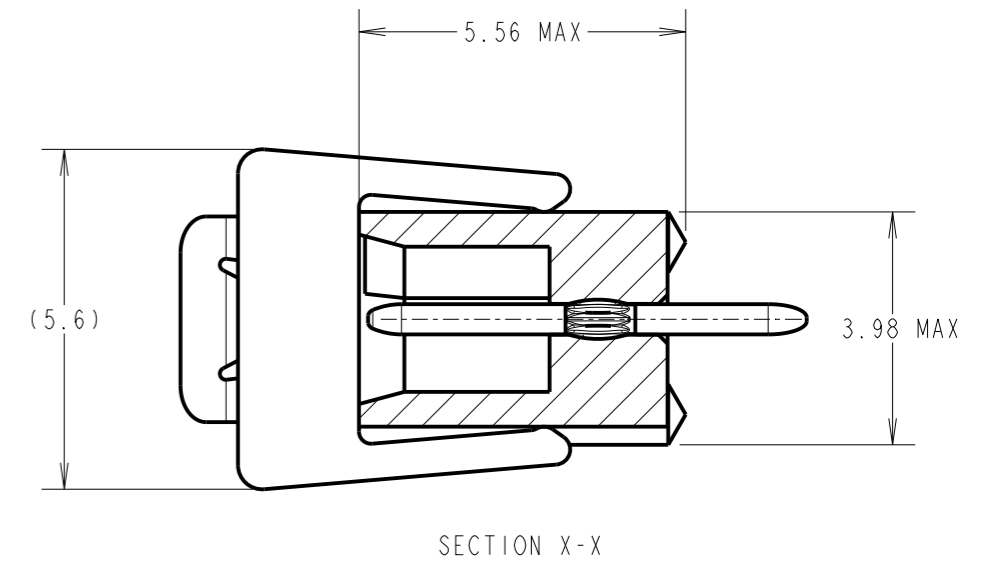
NOT TO SCALE

THIRD ANGLE PROJECTION

ALL DIMENSIONS IN mm



PART No.	DIM 'A'	DIM 'B'
M80-7720242R	7.90	2.00
M80-7720342R	9.90	4.00



COMPONENT SPECIFICATION:

MATERIAL:
 MOULDING: GLASS FILLED PPS, UL94V-0, BLACK
 CONTACT: COPPER ALLOY
 LATCH: BERYLLIUM COPPER
 P&P CAP: POLYIMIDE PA4T 30% GF
 TAPE: POLYSTYRENE
 COVER TAPE: POLYESTER
 FINISH:
 CONTACT: TIN OVER NICKEL ON TAILS,
 GOLD OVER NICKEL ON CONTACT AREA
 LATCH: NICKEL

NOTES:

- FOR COMPLETE SPECIFICATION SEE COMPONENT SPECIFICATION C005XX (LATEST ISSUE).
- FOR STRAIN RELIEF STRAPS ORDER SEPARATELY PART NUMBER: M80-0030006.
- DRAWING SHOWS M80-7720342 (3-WAY) CONNECTOR.
- FOR PIN IN HOLE REFLOW, ANNULAR RINGS OF Ø1.4mm ARE RECOMMENDED TOP AND BOTTOM.
- SEE SHEET 5 FOR TAPE AND REEL DETAILS.

ORDER CODE:

M80-772XX42R

TOTAL No. OF CONTACTS:

RA	I	03.05.22	31535
NAME	ISS.	DATE	CN/CO
APPROVED: M.RUDKIN			
CHECKED: S.BENNETT			
DRAWN: R.ALEXANDER			
CUSTOMER REF.:			
ASSEMBLY DRG:			

HARWIN

www.harwin.com
 technical@harwin.com

THIS DRAWING AND ANY INFORMATION OR DESCRIPTIVE MATTER SET OUT HEREON ARE CONFIDENTIAL AND COPYRIGHT PROPERTY OF THE HARWIN GROUP AND MUST NOT BE DISCLOSED, LOANED, COPIED OR USED FOR MANUFACTURING, TENDERING OR FOR ANY OTHER PURPOSE WITHOUT THEIR WRITTEN PERMISSION.

TOLERANCES
 X. = ±1mm
 X.X = ±0.50mm
 X.XX = ±0.20mm
 X.XXX = ±0.01mm
 ANGLES = ±5°
 UNLESS STATED

MATERIAL:
 SEE ABOVE
FINISH: SEE ABOVE
S/AREA: mm²

TITLE: DATAMATE SIL VERTICAL
 2mm PC TAIL PLUG ASSEMBLY
 - LATCHED TAPE AND REEL

DRAWING NUMBER:
M80-772XXXXR

SHT
 4
 OF
 5

Customer Information Sheet

DRAWING No.: M80-772XXXXR

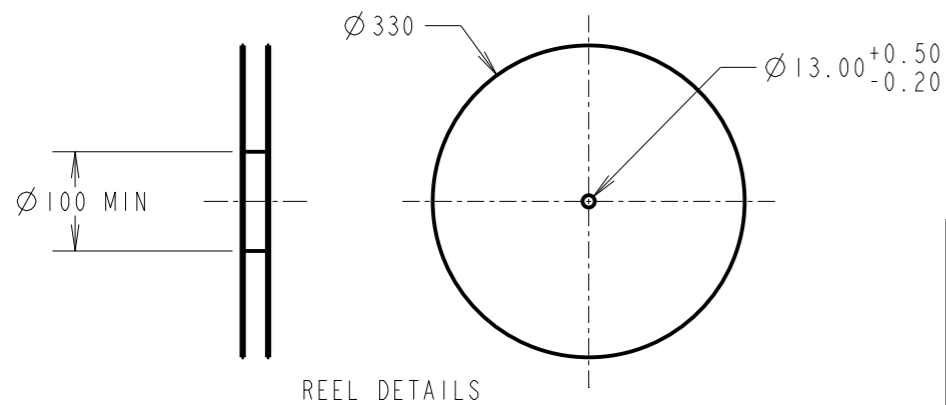
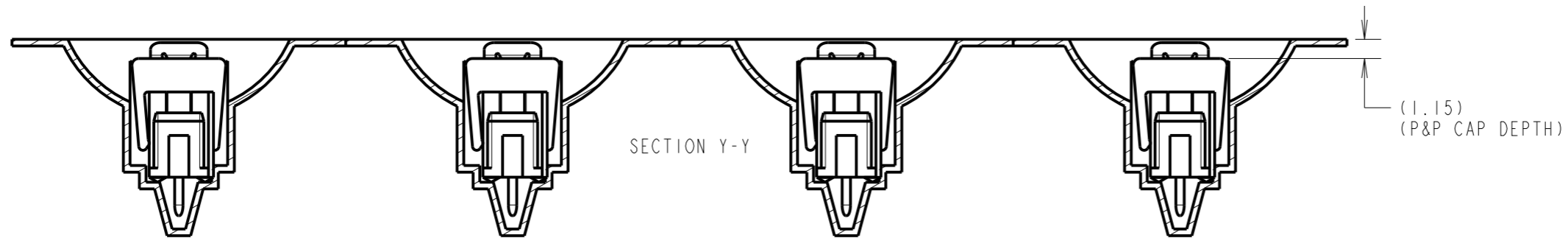
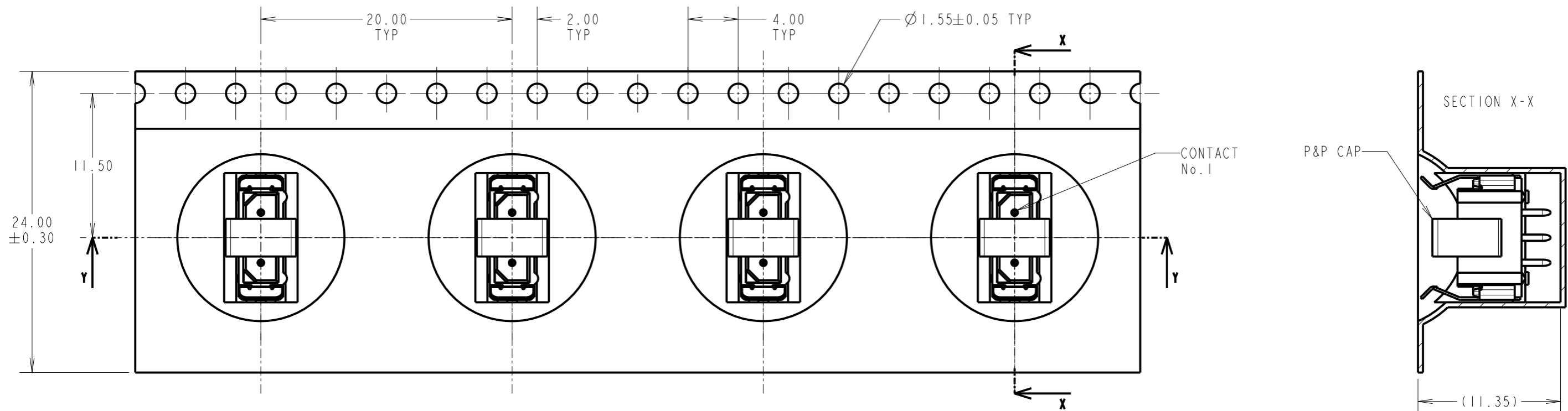
IF IN DOUBT - ASK

©

NOT TO SCALE

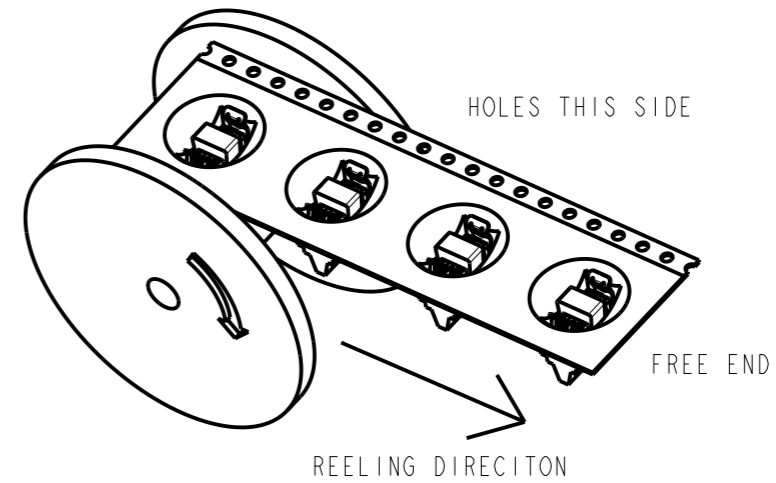
THIRD ANGLE PROJECTION

ALL DIMENSIONS IN mm



ORDER CODE: **M80-772XX42R**

TOTAL No. OF CONTACTS: 02, 03



RA	I	03.05.22	31535
NAME	ISS.	DATE	CN/CO
APPROVED: M.RUDKIN			
CHECKED: S.BENNETT			
DRAWN: R.ALEXANDER			
CUSTOMER REF.:			
ASSEMBLY DRG:			

- NOTES CONT:
- COMPONENTS ARE ORIENTED IN POCKETS AS SHOWN (CONTACT No.1 NEXT TO SPROCKET HOLES).
 - TAPE DETAILS ONLY, SEE SHEET 4 FOR CONNECTOR AND PCB LAYOUT DETAILS.
 - QUANTITY OF COMPONENTS PER REEL: 230.
 - THIS PRODUCT IS TAPED AND REELED IN ACCORDANCE WITH EIA-418-E (ELECTRONICS INDUSTRY ASSOCIATION).

HARWIN

www.harwin.com
technical@harwin.com

THIS DRAWING AND ANY INFORMATION OR DESCRIPTIVE MATTER SET OUT HEREON ARE CONFIDENTIAL AND COPYRIGHT PROPERTY OF THE HARWIN GROUP AND MUST NOT BE DISCLOSED, LOANED, COPIED OR USED FOR MANUFACTURING, TENDERING OR FOR ANY OTHER PURPOSE WITHOUT THEIR WRITTEN PERMISSION.

TOLERANCES

X. = $\pm 1\text{mm}$
X.X = $\pm 0.50\text{mm}$
X.XX = $\pm 0.20\text{mm}$
X.XXX = $\pm 0.01\text{mm}$
ANGLES = $\pm 5^\circ$
UNLESS STATED

MATERIAL:

SEE SHEET 4

FINISH:

SEE SHEET 4

S/AREA:

mm²

TITLE: DATAMATE SIL VERTICAL
2mm PC TAIL PLUG ASSEMBLY
- LATCHED TAPE AND REEL

DRAWING NUMBER:

M80-772XXXXR

SHT
5
OF
5