

Datasheet

The DXM1200-B1 Wireless Controller is an industrial wireless controller that facilitates Industrial Internet of Things (IIoT) applications. As a communications gateway, it interfaces local serial ports, local I/O ports, and local ISM radio devices to the Internet using a cellular connection or wired Ethernet network connection.

- **High Performance Wireless Communication**—Uses Sure Cross® DX80 Wireless Gateway or MultiHop radio with 900 MHz or 2.4 GHz ISM bands available for long range communication
- **Flexible and Customizable**—Expanded internal logic controller with action rules and ScriptBasic programming capable of developing simple or complex solutions to process, log, and control data to/from multiple wireless radios and sensors
- **Easy Installation in all Environments**—IP67 housing makes installation in any location simpler by eliminating the need for a control cabinet
- **Improved Speed and Memory**—Upgraded internal processor to use 2850 32-bit integer registers, 2000 floating-point registers, and 1050 non-volatile 32-bit integer registers; expanded ScriptBasic programming capability for faster script processing and ability to build more complex solutions with scripts

Figure 1. DXM1200-B1 (low profile housing)

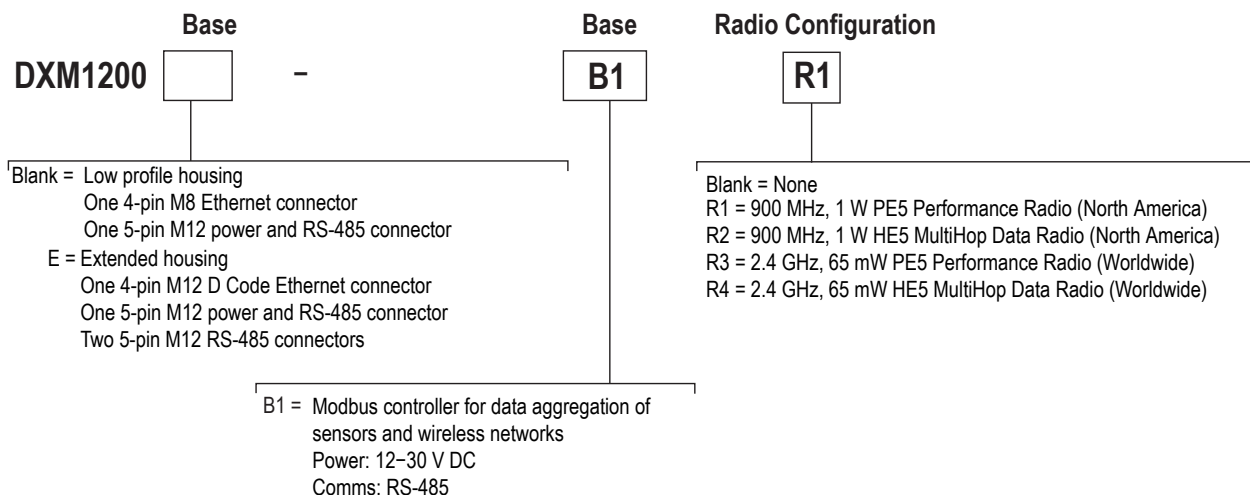


- **External Communications**—Optional cellular modem with internal antenna for internet connectivity
- **Industry Compatibility**—Automation protocols include Modbus/TCP, Modbus RTU, and EtherNet/IP™ for communications between PLCs, HMIs, or other local hosts
- **Cloud Connectivity**—Visualize data and set alarms by sending data from the DXM1200 to the cloud either through BannerCDS.com or third-party cloud sites
- **Customizable Alerts**—Secure email for alarms and alerts
- Data logged to a removable SD card or sent via email
- Interactive programmable user interface with LCD and LED indicators
- Industry standard RS-485, Ethernet, and USB communication ports

Figure 2. DXM1200E-B1 (E-style housing)



Models



Some example models include, but are not limited to, the following:



| Models | Description |
|----------------------|---------------------------------------------------------------------|
| DXM1200-B1R1 | DXM1200-B1 Wireless Controller with DX80 ISM 900 MHz radio |
| DXM1200-B1R2 | DXM1200-B1 Wireless Controller with DX80 ISM 900 MHz MultiHop radio |
| DXM1200-B1R3 | DXM1200-B1 Wireless Controller with DX80 ISM 2.4 GHz radio |
| DXM1200-B1R4 | DXM1200-B1 Wireless Controller with DX80 ISM 2.4 GHz MultiHop radio |
| DXM1200E-B1R1 | DXM1200E-B1 Wireless Controller with DXM80 ISM 900 MHz radio |
| DXM1200E-B1R3 | DXM1200E-B1 Wireless Controller with DXM80 ISM 2.4 GHz radio |

Cellular Communications—Controllers accept Banner Cellular Modems only. Adding a cellular modem requires the placement of an internal cellular antenna. Cellular modems are ordered separately as accessories under the following part numbers:

- LTE CAT1 Verizon (United States only): **SXI-LTE-001**
- LTE CAT-M1 AT&T (North America only): **SXI-CATM1ATT-001**
- LTE CAT-M1 Verizon (North America only): **SXI-CATM1VZW-001**

For more information, refer to the technical note Activating a Cellular Modem (p/n [205026](#)).

DXM1200 Documentation

- DXM Wireless Controller Sell Sheet, p/n [194063](#)
- DXM1200-B1 Wireless Controller Datasheet, p/n [196719](#)
- DXM1200-Bx Wireless Controller Instruction Manual, p/n [216539](#)
- DXM ScriptBasic Instruction Manual, p/n [191745](#)
- DXM Controller Configuration Quick Start, p/n [191247](#)
- DXM Configuration Software v4 (p/n [b_4496867](#))
- DXM Configuration Software Instruction Manual, p/n [209933](#)
- DXM EDS [Configuration file](#) for Allen-Bradley PLCs
- Activating a Cellular Modem (p/n [b_4419353](#))
- Additional technical notes and videos

For more information about the DXM1200 family of products, including technical notes, configuration examples, and ScriptBasic program examples, please refer to the Banner website: www.bannerengineering.com

DXM1200-Bx System Overview

Banner's DXM Logic Controller integrates Banner's wireless radio and cellular connectivity to provide a platform for the Industrial Internet of Things (IIoT).

Figure 3. DXM1200-B1 system overview

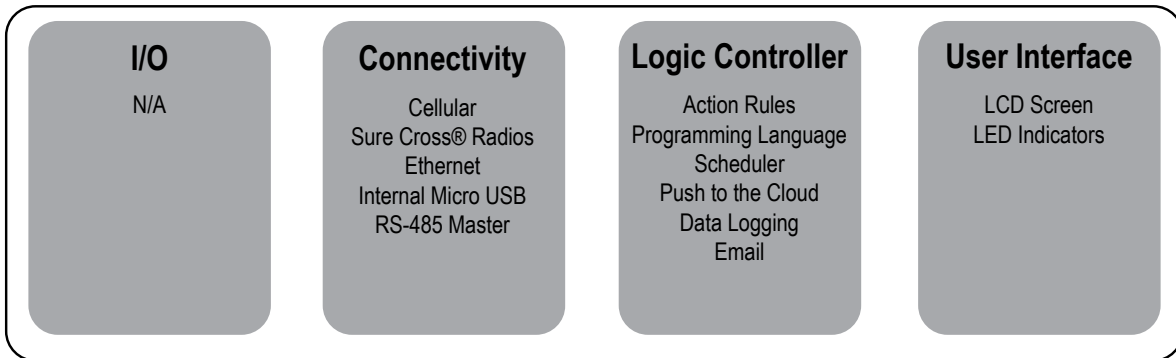


Table 1: Modbus registers for internal local registers (Modbus slave ID 199)

| Local Registers | Type | Description |
|-----------------|-----------------------------|------------------------------------------------|
| 1–845 | 32-bit integer | Local data registers |
| 846–849 | 32-bit integer | Reset, Constant, Timer |
| 851–900 | 32-bit non-volatile integer | Data flash, non-volatile |
| 901–1000 | | Reserved for internal use |
| 1001–5000 | Floating point | Floating point registers, local data registers |
| 5001–7000 | 32-bit integer | Local data registers |
| 7001–8000 | 32-bit non-volatile integer | Data flash, non-volatile |

| Local Registers | Type | Description |
|-----------------|------|------------------------------------------------|
| > 10000 | | Read only virtual registers, system-level data |

Figure 4. DXM1200 Controller

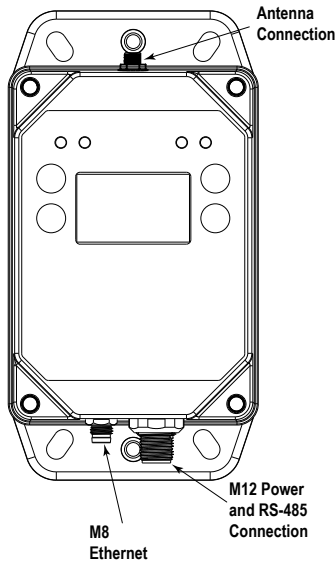
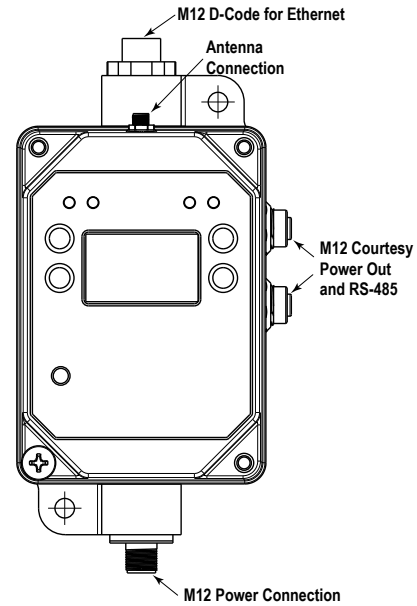


Figure 5. DXM1200E Controller



Connectivity—The DXM1200-B1’s wired and wireless connectivity options make it easy to share data between local and remote equipment. The cellular modem option eliminates the need for IT infrastructures to connect remote equipment for sensing and control to IIoT cloud services. The integrated Sure Cross® wireless radio enables Modbus connectivity to remote sensors, indicators, and control equipment. Connect directly to any PLC and/or SCADA system for easy integration into existing control or monitoring systems. Banner Industrial Wireless radios have two types of networks that can be used for creating applications and solving problems.

Wired Connectivity

- Ethernet: Modbus/TCP (master/slave) or Ethernet/IP
- Field Bus: Modbus RS-485 Master

Wireless Connectivity

- Sure Cross Wireless Radio: DX80 900 MHz, DX80 2.4 GHz, MultiHop 900 MHz, or MultiHop 2.4 GHz
- Cellular modem: LTE (United States only) or GSM (Outside the United States), CATM1-ATT (North America Only) or CATM1-VZW (US Only)

Wireless Radio Networks

Performance Wireless Radio Network

- Star topology (point to point between Gateway and Node radios)
- Battery-powered Node applications are more efficient in a star topology
- Six inputs and six outputs maximum per radio

MultiHop Wireless Radio Network

- Tree topology between one master radio and many repeater and/or slave radios
- Repeater radios add effectively unlimited radio network range
- Full Modbus sensor register data collection as well as typical local I/O like discrete, analog, etc.

Logic Controller—Program the DXM1200-B1’s logic controller using action rules and/or ScriptBasic language, which can execute concurrently. The control functions allow freedom when creating custom sensing and control sequences. The logic controller supports the Modbus protocol standards for data management, ensuring seamless integration with existing automation systems. File and LCD password protection is an option.

Register Mapping

Cyclical Read rules from wireless devices or local wired Modbus devices that include optional scaling, error conditions, and the ability to activate a read rule
 Cyclical or Change of State Write rules to wireless devices or local wired Modbus devices with scaling
 Modbus/TCP Master Read or Write rules for external devices on the network

Action Rules

Thresholds (IF/THEN/ELSE) with timers, minimum on/off time, and logging options
 Math/Logic Rules (arithmetic and bitwise operators)
 Control Logic (logical operators and SR/T/D/JK flip flops)
 Trending (multiple averaging filters)
 Tracking (counts, on/off times)
 Email notifications
 Push data on conditions

Scheduler

Time/calendar-based events
 Holiday skips
 One-time events
 Dynamic scheduler updating
 Astronomical clock

Optional Text Programming Language

ScriptBasic to create variables, arrays, functions, loops, IF/THEN/ELSE, logical and arithmetic operators, API commands, register access, string functions and operators, time commands

Data Logging

Cyclic data/event logging
 Email log files

User Interface— A simple user interface consists of an LCD screen and four LED indicators.

User programmable LCD

Bind Sure Cross radios
 Conduct a site survey to evaluate the radio signal integrity of radios within the network
 View register and output information
 View system status and configuration

API Interface

Host Initiated control
 Web service integration

User Defined LED indicators

Indicates the status of the DXM1200-B1, processes, or equipment

Applications Overview

The DXM1200-B1 is ideal for smart factory and facilities applications, including:

- Productivity solutions, such as
 - Call for parts, service, or maintenance
 - Pick-to-light
 - OEE Tower light monitoring
- Predictive maintenance and continuous monitoring using
 - Vibration and temperature monitoring
 - Tank level monitoring
 - Non-contact condition monitoring
- Environmental monitoring and control, such as
 - Temperature and humidity monitoring

The DXM1200-B1 can provide visual indication using indicator lights, send email alerts, collect data, and interface with automation systems.

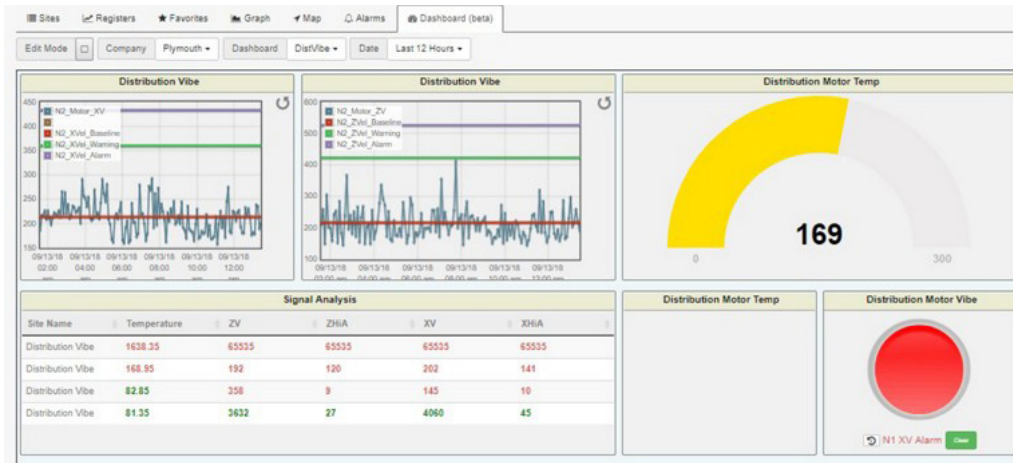
Banner Connected Data Solutions (CDS)

With a few easy steps, the DXM can be connected and sharing data with Banner's Connected Data Solutions. This is a web-based software platform that allows users to access, store, protect, visualize, and export critical data collected by Banner's DXMs.

This software complements our wireless product portfolio and provides customers with complete end-to-end IIoT solutions to solve the most pressing problems of the Industrial market. Visit the Connected Data Solutions site for account access and technical support at www.bannercds.com.

Get Solutions Up and Running Quickly

[Solution templates](#) are available to help implement IIoT solutions with ease-no coding or expertise required. In addition, all elements of a wireless solution from Banner—from sensor to cloud—are purpose-built to work together for easy configuration and use.



Popular solution templates include guides for the following applications:

- Vibration Monitoring and Predictive Maintenance
- Overall Equipment Effectiveness
- Tank Level Monitoring
- Temperature and Humidity Monitoring
- And more...

Make Better Data-Driven Decisions

The CDS platform is more than a dashboard. The software can provide actionable insights that allow you to solve real challenges on the factory floor by using analytics and visualization tools that range from graphs, gauges, status indicators, and number displays to alarm icons, maps, and tables.

Easily organize and manage the health of various assets and processes via customizable layouts that can be constructed for workstation screens or kiosk displays. In addition, the ability to store or export data, and analyze trends over time helps you and the organization make better, data-driven decisions long-term.

Access the Data You Want and Get the Alerts You Need

Remotely access data anytime and anywhere.

On-demand visibility and real-time alerts allow you to remotely monitor and diagnose systems quickly, saving time and cost. Simple data structure allows users to organize assets and facilities in a manner that best serves the needs of the business.

Maximize Uptime and Increase Efficiency

Predictive maintenance is a key capability of Banner's IIoT solutions.

The software platform helps you use device data to predict machine maintenance requirements, which reduces unplanned downtime, increases mean time between failure (MTBF), and reduces maintenance costs.

Wiring Power and RS-485 for the DXM1200 and DXM1200E Models

Use the following wiring diagrams to wire power and communication to the DXM1200 and DXM1200E devices. Connecting power to the communication pins will cause permanent damage.

M8 Ethernet Connection for the DXM1200

Table 2: 4-pin M8 male Industrial Ethernet connector

| 4-pin M8 Industrial Ethernet Connector (male) | Pin | Wire Color | Description |
|-----------------------------------------------|-----|--------------|-------------|
| | 1 | White/orange | + Tx |
| | 2 | White/blue | +Rx |
| | 3 | Orange | -Tx |
| | 4 | Blue | -Rx |

Power and RS-485 Connection for the DXM1200 and DXM1200E

Table 3: 5-pin M12 male connector wiring

| 5-pin M12 Male Connector | Pin | Wire Color | Description |
|-----------------------------------------------------------------------------------|-----|------------|--------------------|
|  | 1 | Brown (bn) | 10 to 30 V DC |
| | 2 | White (wh) | RS485 / D1 / B / + |
| | 3 | Blue (bu) | DC common (GND) |
| | 4 | Black (bk) | RS485 / D0 / A / - |
| | 5 | Gray (gy) | Comms Ground |

D-Coded Ethernet Connection for the DXM1200E Model

Table 4: 4-pin female industrial Ethernet connector

| 4-pin Industrial Ethernet Connector (female) | Pin | Wire Color | Description |
|-----------------------------------------------------------------------------------|-----|------------|-------------|
|  | 1 | Black | + Tx |
| | 2 | Red | +Rx |
| | 3 | Green | -Tx |
| | 4 | White | -Rx |

Input Power for the DXM1200E

Table 5: 5-pin M12 male connector wiring

| 5-pin M12 Male Connector | Pin | Wire Color | Description |
|------------------------------------------------------------------------------------|-----|------------|--------------------|
|  | 1 | Brown (bn) | 10 to 30 V DC |
| | 2 | White (wh) | RS485 / D1 / B / + |
| | 3 | Blue (bu) | DC common (GND) |
| | 4 | Black (bk) | RS485 / D0 / A / - |
| | 5 | Gray (gy) | Comms Ground |

RS-485 Connection for the DXM1200E Model

Table 6: 5-pin M12 female connector wiring

| 5-pin M12 Connector (female) | Pin | Wire Color | Description |
|-------------------------------------------------------------------------------------|-----|------------|------------------------------------------------|
|  | 1 | Brown (bn) | 10 to 30 V DC from the input power connector |
| | 2 | White (wh) | RS485 / D1 / B / + |
| | 3 | Blue (bu) | DC common (GND) from the input power connector |
| | 4 | Black (bk) | RS485 / D0 / A / - |
| | 5 | N/A | No connection |

Specifications

Performance Radio Specifications

Radio Range¹

900 MHz, 1 Watt: Up to 9.6 km (6 miles)
 2.4 GHz, 65 mW: Up to 3.2 km (2 miles)

Antenna Minimum Separation Distance

900 MHz, 1 Watt: 4.57 m (15 ft)
 2.4 GHz, 65 mW: 0.3 m (1 ft)

Radio Transmit Power

900 MHz, 1 Watt: 30 dBm (1 W) conducted (up to 36 dBm EIRP)
 2.4 GHz, 65 mW: 18 dBm (65 mW) conducted, less than or equal to 20 dBm (100 mW) EIRP

Spread Spectrum Technology

FHSS (Frequency Hopping Spread Spectrum)

900 MHz Compliance (1 Watt)

FCC ID UE3RM1809: FCC Part 15, Subpart C, 15.247
 IC: 7044A-RM1809
 IFT: RCPBARM13-2283

2.4 GHz Compliance

FCC ID UE300DX80-2400: FCC Part 15, Subpart C, 15.247
 Radio Equipment Directive (RED) 2014/53/EU
 IC: 7044A-DX8024

Antenna Connection

Ext. Reverse Polarity SMA, 50 Ohms
 Max Tightening Torque: 0.45 N-m (4 lbf-in)

Link Timeout (Performance)

Gateway: Configurable via User Configuration Software
 Node: Defined by Gateway

MultiHop Radio Specifications

Radio Range²

900 MHz, 1 Watt: Up to 9.6 km (6 miles)
 2.4 GHz, 65 mW: Up to 3.2 km (2 miles)

Antenna Minimum Separation Distance

900 MHz, 150 mW and 250 mW: 2 m (6 ft)
 900 MHz, 1 Watt: 4.57 m (15 ft)
 2.4 GHz, 65 mW: 0.3 m (1 ft)

Radio Transmit Power

900 MHz, 1 Watt: 30 dBm (1 W) conducted (up to 36 dBm EIRP)
 2.4 GHz, 65 mW: 18 dBm (65 mW) conducted, less than or equal to 20 dBm (100 mW) EIRP

Spread Spectrum Technology

FHSS (Frequency Hopping Spread Spectrum)

900 MHz Compliance (1 Watt)

FCC ID UE3RM1809: FCC Part 15, Subpart C, 15.247
 IC: 7044A-RM1809
 IFT: RCPBARM13-2283

2.4 GHz Compliance (MultiHop)

FCC ID UE300DX80-2400: FCC Part 15, Subpart C, 15.247
 Radio Equipment Directive (RED) 2014/53/EU
 IC: 7044A-DX8024

Antenna Connection

Ext. Reverse Polarity SMA, 50 Ohms
 Max Tightening Torque: 0.45 N-m (4 lbf-in)

Radio Packet Size (MultiHop)

900 MHz: 175 bytes (85 Modbus registers)
 2.4 GHz: 75 bytes (37 Modbus registers)

Specifications for the DXM1200

Supply Voltage

12 to 30 V DC (use only with a suitable Class 2 power supply (UL) or a Limited Power Source (LPS) (CE) power supply)

Power Consumption

60 mA average at 24 V

Communication Protocols

Modbus RTU Master, Modbus/TCP, and EtherNet/IP

Construction

Polycarbonate

Connection

Integral 5-pin M12 male quick disconnect

Logging

8 GB maximum; removable Micro SD card format

Certifications



(CE approval only applies to 2.4 GHz models)



(NOM approval only applies to 900 MHz models)

Security Protocols

TLS, SSL, HTTPS

Required Overcurrent Protection



WARNING: Electrical connections must be made by qualified personnel in accordance with local and national electrical codes and regulations.

Overcurrent protection is required to be provided by end product application per the supplied table.

Overcurrent protection may be provided with external fusing or via Current Limiting, Class 2 Power Supply.

Supply wiring leads < 24 AWG shall not be spliced.

For additional product support, go to www.bannerengineering.com.

| Supply Wiring (AWG) | Required Overcurrent Protection (Amps) |
|---------------------|----------------------------------------|
| 20 | 5.0 |
| 22 | 3.0 |
| 24 | 2.0 |
| 26 | 1.0 |
| 28 | 0.8 |
| 30 | 0.5 |

¹ Radio range is with the 2 dB antenna that ships with the product. High-gain antennas are available, but the range depends on the environment and line of sight. Always verify your wireless network's range by performing a Site Survey.

² Radio range is with the 2 dB antenna that ships with the product. High-gain antennas are available, but the range depends on the environment and line of sight. Always verify your wireless network's range by performing a Site Survey.

RS-485 Communication Specifications

Communication Hardware (MultiHop RS-485)

Interface: 2-wire half-duplex RS-485
 Baud rates: 9.6k, 19.2k (default), or 38.4k via DIP switches; 1200 and 2400 via the MultiHop Configuration Software
 Data format: 8 data bits, no parity, 1 stop bit

Environmental Specifications

Operating Conditions³

-20 °C to +60 °C (-4 °F to +140 °F)
 95% maximum relative humidity (non-condensing)
 Radiated Immunity: 3 V/m (EN 61000-4-3)

Shock and Vibration

All models meet IEC 60068-2-6 and IEC 60068-2-27 testing criteria
 Shock: 30G 11 ms duration, half sine wave per IEC 60068-2-27
 Vibration: 10 Hz to 55 Hz, 0.5 mm peak-to-peak amplitude per IEC 60068-2-6

Environmental Rating

IP67

Dimensions

All measurements are listed in millimeters, unless noted otherwise.

Figure 6. DXM1200 dimensions

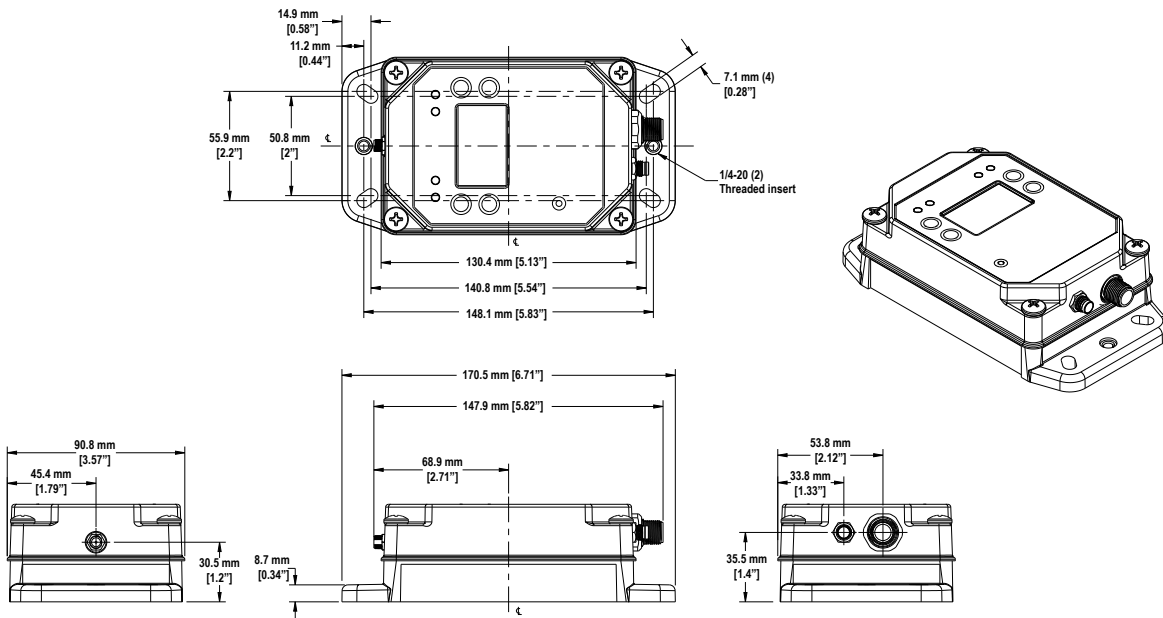
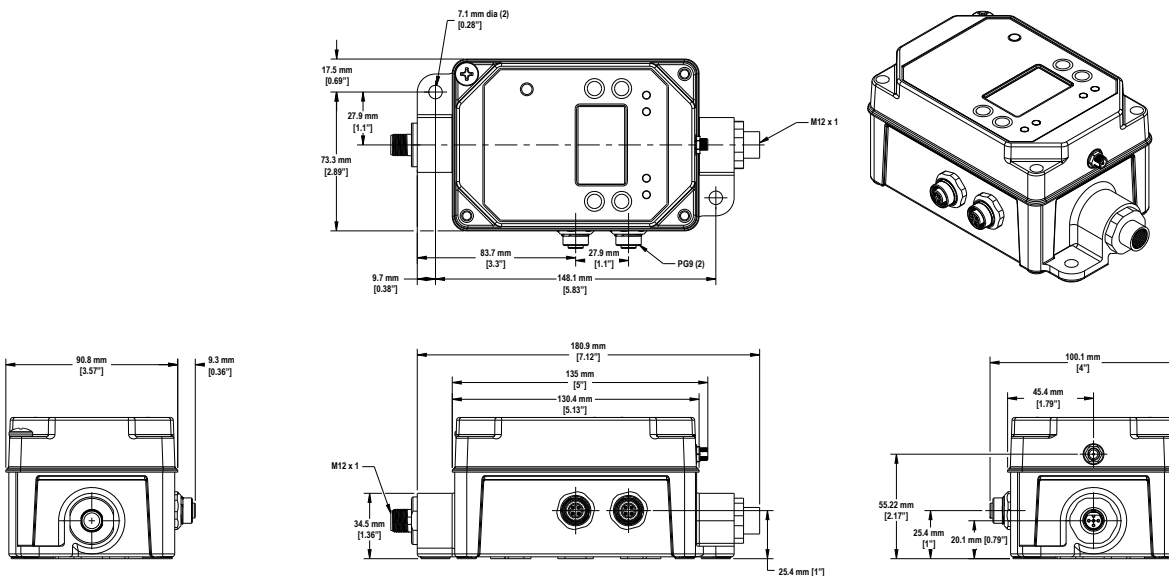


Figure 7. DXM1200E dimensions



³ Operating the devices at the maximum operating conditions for extended periods can shorten the life of the device.

Accessories

For a complete list of all the accessories for the Sure Cross wireless product line, please download the Banner Industrial Wireless Accessories list (p/n [b_3147091](#)).

Cordsets

MQDC1-506—5-pin M12, straight, single ended, 6 ft
 MQDC1-530—5-pin M12, straight, single ended, 30 ft
 MQDC1-506RA—5-pin M12, right-angle, single ended, 6 ft
 MQDC1-530RA—5-pin M12, right-angle, single ended, 30 ft
 IVUC-E-406—RJ45 Ethernet to 4-pin threaded M8, straight, 6 ft
 IVUC-E-415—RJ45 Ethernet to 4-pin threaded M8, straight, 15 ft

Cellular Kits

SXI-LTE-001—LTE CAT1 Verizon (United States only)
 SXI-GSM-001—GSM/3G (HSPA) (International only)
 SXI-CATM1ATT-001—LTE CAT-M1 AT&T (North America only)
 SXI-CATM1VZW-001—LTE CAT-M1 Verizon (North America only)

Power Supplies

PSD-24-4—DC Power Supply, Desktop style, 3.9 A, 24 V dc, Class 2, 4-pin M12 quick disconnect (QD)
 PSDINP-24-06—DC power supply, 0.63 Amps, 24 V DC, with DIN Rail Mount, Class I Division 2 (Groups A, B, C, D) Rated
 PSDINP-24-13—DC power supply, 1.3 Amps, 24 V DC, with DIN Rail Mount, Class I Division 2 (Groups A, B, C, D) Rated
 PSDINP-24-25—DC power supply, 2.5 Amps, 24 V DC, with DIN Rail Mount, Class I Division 2 (Groups A, B, C, D) Rated
 PSW-24-1—DC power supply with wall plug, 100-240 V AC 50/60 Hz input, 24 V DC 1 A output, UL Listed Class 2

Mounting

SMBWSQ120—Rear-mount protective metal enclosure, prevents buildup of water or ice from interfering with performance
 SMBQ240SS1—Sensor mounting plate and pivoting bracket, provides ± 20° of tilt in one axis for enhanced alignment

Warnings

Install and properly ground a qualified surge suppressor when installing a remote antenna system. Remote antenna configurations installed without surge suppressors invalidate the manufacturer's warranty. Keep the ground wire as short as possible and make all ground connections to a single-point ground system to ensure no ground loops are created. No surge suppressor can absorb all lightning strikes; do not touch the Sure Cross® device or any equipment connected to the Sure Cross device during a thunderstorm.

Exporting Sure Cross® Radios. It is our intent to fully comply with all national and regional regulations regarding radio frequency emissions. **Customers who want to re-export this product to a country other than that to which it was sold must ensure the device is approved in the destination country.** The Sure Cross wireless products were certified for use in these countries using the antenna that ships with the product. When using other antennas, verify you are not exceeding the transmit power levels allowed by local governing agencies. This device has been designed to operate with the antennas listed on Banner Engineering's website and having a maximum gain of 9 dBm. Antennas not included in this list or having a gain greater than 9 dBm are strictly prohibited for use with this device. The required antenna impedance is 50 ohms. To reduce potential radio interference to other users, the antenna type and its gain should be so chosen such that the equivalent isotropically radiated power (EIRP) is not more than that permitted for successful communication. Consult with Banner Engineering Corp. if the destination country is not on this list.



Important: Please download the complete DXM1200-B1 Wireless Controller technical documentation, available in multiple languages, from www.bannerengineering.com for details on the proper use, applications, Warnings, and installation instructions of this device.



Important: Por favor descargue desde www.bannerengineering.com toda la documentación técnica de los DXM1200-B1 Wireless Controller, disponibles en múltiples idiomas, para detalles del uso adecuado, aplicaciones, advertencias, y las instrucciones de instalación de estos dispositivos.



Important: Veuillez télécharger la documentation technique complète des DXM1200-B1 Wireless Controller sur notre site www.bannerengineering.com pour les détails sur leur utilisation correcte, les applications, les notes de sécurité et les instructions de montage.



WARNING:

- **Do not use this device for personnel protection**
- Using this device for personnel protection could result in serious injury or death.
- This device does not include the self-checking redundant circuitry necessary to allow its use in personnel safety applications. A device failure or malfunction can cause either an energized (on) or de-energized (off) output condition.



Important:

- **Never operate a 1 Watt radio without connecting an antenna**
- Operating 1 Watt radios without an antenna connected will damage the radio circuitry.
- To avoid damaging the radio circuitry, never apply power to a Sure Cross® Performance or Sure Cross MultiHop (1 Watt) radio without an antenna connected.

**Important:**

- **Electrostatic discharge (ESD) sensitive device**
- ESD can damage the device. Damage from inappropriate handling is not covered by warranty.
- Use proper handling procedures to prevent ESD damage. Proper handling procedures include leaving devices in their anti-static packaging until ready for use; wearing anti-static wrist straps; and assembling units on a grounded, static-dissipative surface.

Banner Engineering Corp. Limited Warranty

Banner Engineering Corp. warrants its products to be free from defects in material and workmanship for one year following the date of shipment. Banner Engineering Corp. will repair or replace, free of charge, any product of its manufacture which, at the time it is returned to the factory, is found to have been defective during the warranty period. This warranty does not cover damage or liability for misuse, abuse, or the improper application or installation of the Banner product.

THIS LIMITED WARRANTY IS EXCLUSIVE AND IN LIEU OF ALL OTHER WARRANTIES WHETHER EXPRESS OR IMPLIED (INCLUDING, WITHOUT LIMITATION, ANY WARRANTY OF MERCHANTABILITY OR FITNESS FOR A PARTICULAR PURPOSE), AND WHETHER ARISING UNDER COURSE OF PERFORMANCE, COURSE OF DEALING OR TRADE USAGE.

This Warranty is exclusive and limited to repair or, at the discretion of Banner Engineering Corp., replacement. **IN NO EVENT SHALL BANNER ENGINEERING CORP. BE LIABLE TO BUYER OR ANY OTHER PERSON OR ENTITY FOR ANY EXTRA COSTS, EXPENSES, LOSSES, LOSS OF PROFITS, OR ANY INCIDENTAL, CONSEQUENTIAL OR SPECIAL DAMAGES RESULTING FROM ANY PRODUCT DEFECT OR FROM THE USE OR INABILITY TO USE THE PRODUCT, WHETHER ARISING IN CONTRACT OR WARRANTY, STATUTE, TORT, STRICT LIABILITY, NEGLIGENCE, OR OTHERWISE.**

Banner Engineering Corp. reserves the right to change, modify or improve the design of the product without assuming any obligations or liabilities relating to any product previously manufactured by Banner Engineering Corp. Any misuse, abuse, or improper application or installation of this product or use of the product for personal protection applications when the product is identified as not intended for such purposes will void the product warranty. Any modifications to this product without prior express approval by Banner Engineering Corp will void the product warranties. All specifications published in this document are subject to change; Banner reserves the right to modify product specifications or update documentation at any time. Specifications and product information in English supersede that which is provided in any other language. For the most recent version of any documentation, refer to: www.bannerengineering.com.

For patent information, see www.bannerengineering.com/patents.

Notas Adicionales

Información México: La operación de este equipo está sujeta a las siguientes dos condiciones: 1) es posible que este equipo o dispositivo no cause interferencia perjudicial y 2) este equipo debe aceptar cualquier interferencia, incluyendo la que pueda causar su operación no deseada.

Banner es una marca registrada de Banner Engineering Corp. y podrán ser utilizadas de manera indistinta para referirse al fabricante. "Este equipo ha sido diseñado para operar con las antenas tipo Omnidireccional para una ganancia máxima de antena de 6 dBd y Yagi para una ganancia máxima de antena 10 dBd que en seguida se enlistan. También se incluyen aquellas con aprobación ATEX tipo Omnidireccional siempre que no excedan una ganancia máxima de antena de 6dBd. El uso con este equipo de antenas no incluidas en esta lista o que tengan una ganancia mayor que 6 dBd en tipo omnidireccional y 10 dBd en tipo Yagi, quedan prohibidas. La impedancia requerida de la antena es de 50 ohms."

| Antenas SMA | Modelo | Antenas Tipo-N | Modelo |
|----------------------------------------------------------------|------------------|--------------------------------------------------------------------|-------------------|
| Antena, Omni 902-928 MHz, 2 dBd, junta de caucho, RP-SMA Macho | BWA-902-C | Antena, Omni 902-928 MHz, 6 dBd, fibra de vidrio, 1800mm, N Hembra | BWA-906-A |
| Antena, Omni 902-928 MHz, 5 dBd, junta de caucho, RP-SMA Macho | BWA-905-C | Antena, Yagi, 900 MHz, 10 dBd, N Hembra | BWA-9Y10-A |

Mexican Importer

Banner Engineering de México, S. de R.L. de C.V.
David Alfaro Siqueiros 103 Piso 2 Valle oriente
San Pedro Garza Garcia Nuevo León, C. P. 66269
81 8363.2714