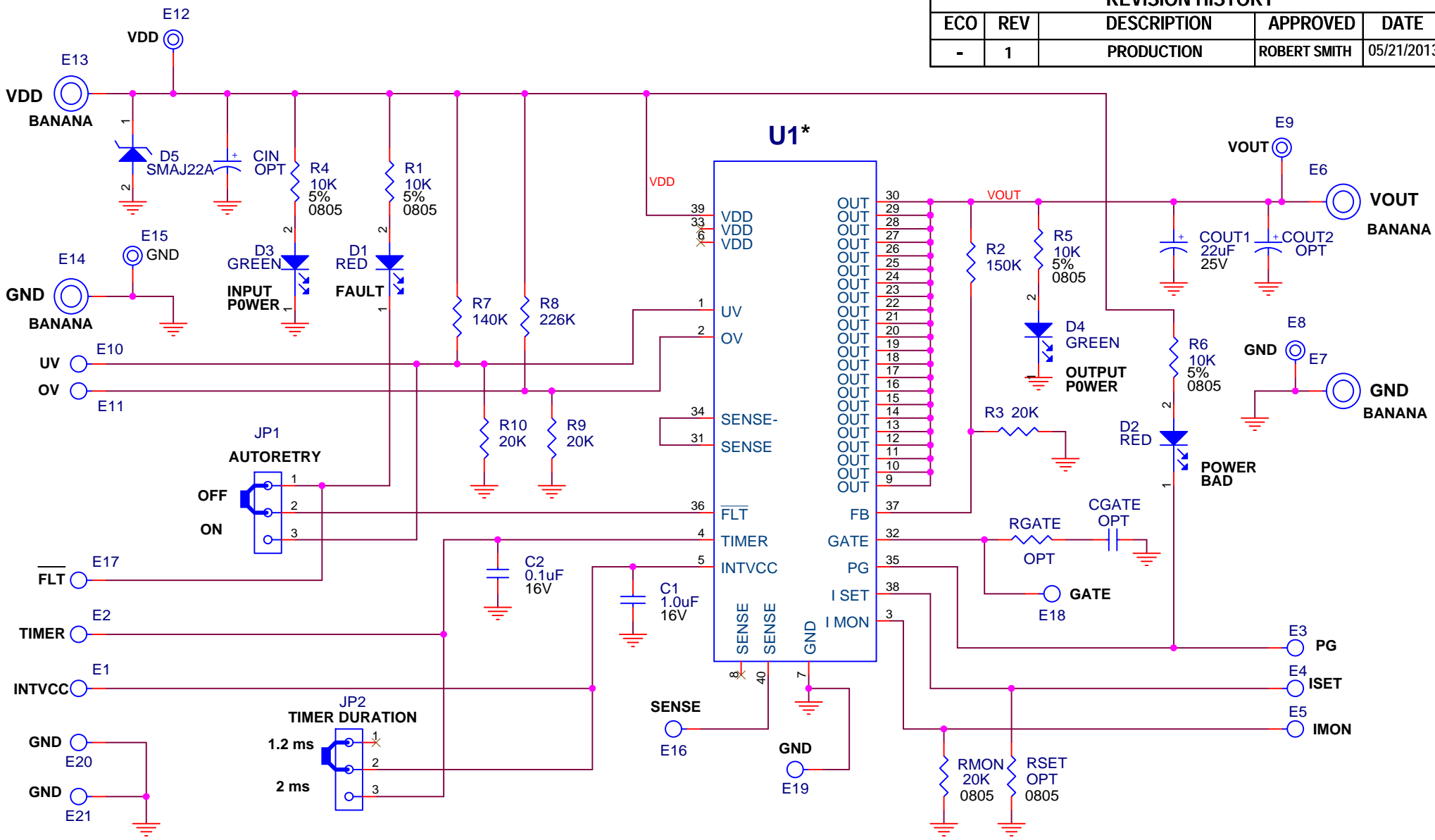


REVISION HISTORY				
ECO	REV	DESCRIPTION	APPROVED	DATE
-	1	PRODUCTION	ROBERT SMITH	05/21/2013



**\* ASSEMBLY OPTIONS**

ASS'Y	U1	CURRENT
-A	LTC4234	20A
-B	LTC4233	10A

**NOTE:**

1. ALL RESISTORS ARE 0603 PACKAGE, 1% U.O.N.

**CUSTOMER NOTICE**

LINEAR TECHNOLOGY HAS MADE A BEST EFFORT TO DESIGN A CIRCUIT THAT MEETS CUSTOMER-SUPPLIED SPECIFICATIONS; HOWEVER, IT REMAINS THE CUSTOMER'S RESPONSIBILITY TO VERIFY PROPER AND RELIABLE OPERATION IN THE ACTUAL APPLICATION. COMPONENT SUBSTITUTION AND PRINTED CIRCUIT BOARD LAYOUT MAY SIGNIFICANTLY AFFECT CIRCUIT PERFORMANCE OR RELIABILITY. CONTACT LINEAR TECHNOLOGY APPLICATIONS ENGINEERING FOR ASSISTANCE.

THIS CIRCUIT IS PROPRIETARY TO LINEAR TECHNOLOGY AND SUPPLIED FOR USE WITH LINEAR TECHNOLOGY PARTS.

**APPROVALS**

PCB DES.	M.HAWKINS
APP ENG.	R. SMITH

SCALE = NONE



1630 McCarthy Blvd.  
 Milpitas, CA 95035  
 Phone: (408)432-1900 www.linear.com  
 Fax: (408)434-0507  
 LTC Confidential-For Customer Use Only

TITLE: SCHEMATIC		
<b>10/20 AMP INTEGRATED HOT SWAP CONTROLLER</b>		
SIZE N/A	IC NO. LTC4233/LTC4234	REV. 1
<b>DEMO CIRCUIT 2116A</b>		
DATE:	05/21/2013	SHEET 1 OF 1